



PFW 4710 Display wall mount tilt

Article number (SKU)
Colour

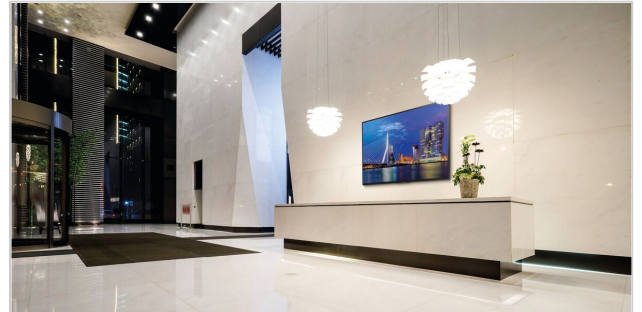
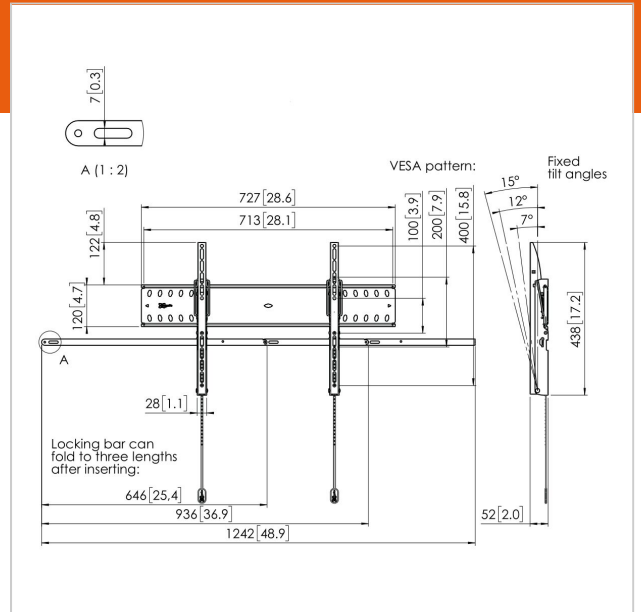
7047100
Black

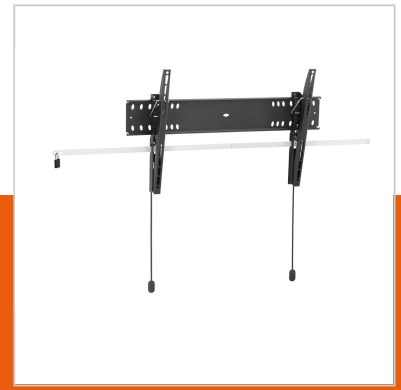
Key Benefits

- Easy to install
- Stylish design
- Theft prevention

This locking tilting wall mount helps protect large flat panel displays in public areas against theft. The PFW 4000 series is designed for public areas that cannot be continuously supervised. The Vogel's Autolock® mechanism securely locks the display in place, and the slim design creates a clean, elegant look. The PFW 4710 wall mount is suitable for 55 to 65 inch displays weighing up to 75 kg.

Vogel's Professional products are designed for quick and easy installation. All 4000-series products are TÜV5 certified. Offering maximum safety in any public space or hotel environment.





PFW 4710 Display wall mount tilt

www.vogels.com

VOGEL'S HOLDING BV 2019 (c) All rights reserved.
Subject to printing errors, technical and price amendments.
Date:2019-05-08

Specifications

Product type number	PFW 4710
Article number (SKU)	7047100
Colour	Black
EAN single box	8712285338663
TÜV certified	Yes
Tilt	Tilt up to 15°
Guarantee	5 years
Max. weight load (kg)	75
Max. bolt size	M8
Max. height of interface (mm)	438
Max. width of interface (mm)	727
Autolock	True
Fischer inside	Yes
Lockable	True
Lock options	Lock included / integrated
Max. horizontal hole pattern (mm)	600
Max. screen size (inch)	65
Max. vertical hole pattern (mm)	400
Min. distance to the wall (mm)	52
Min. horizontal hole pattern (mm)	100
Min. screen size (inch)	55
Min. vertical hole pattern (mm)	100
Orientation	Landscape
Service position	No

