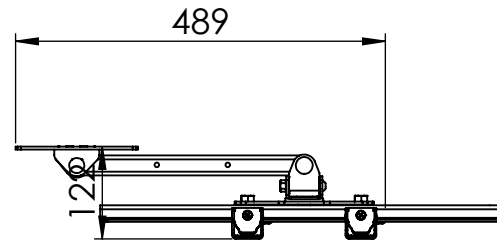
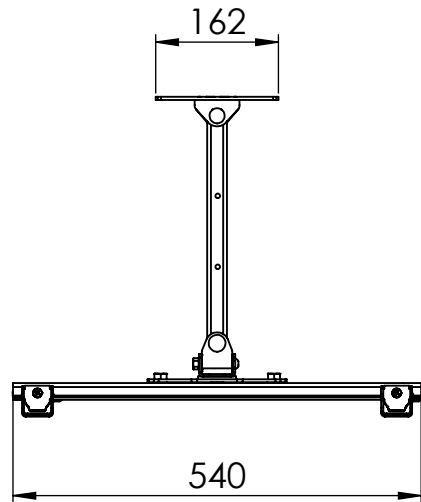
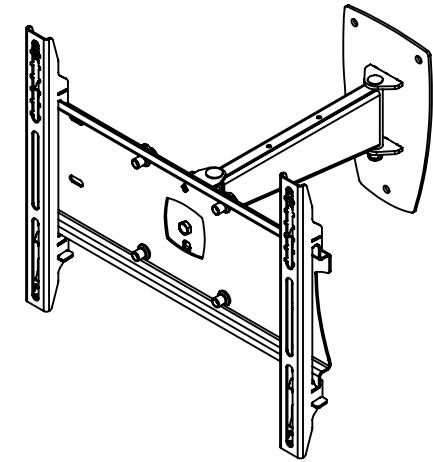
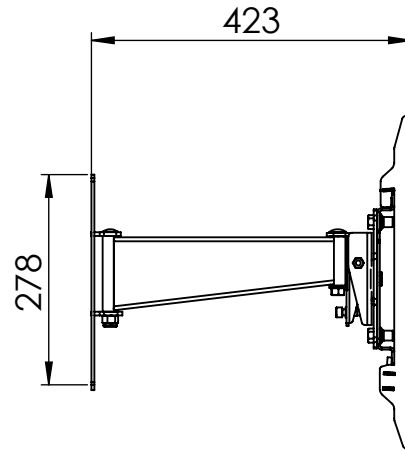
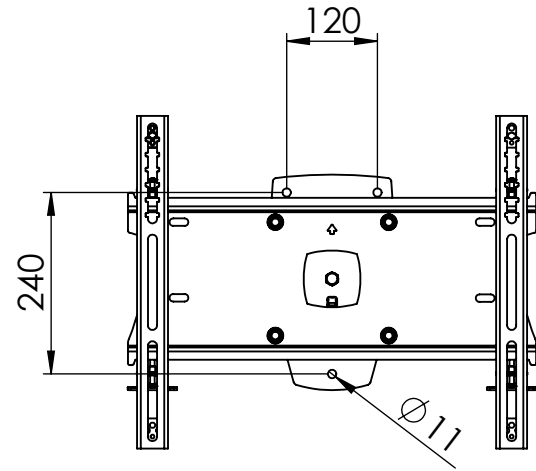


1 Fixing Kit

2 Universal Fixing Kit



Description PLS With Pzx3 Universal Mount

UNLESS OTHERWISE SPECIFIED:
DIMENSIONS ARE IN MILLIMETERS

Mod Date 06/04/2016

REVISION

Bend & Machine Number

Drawn Date: 24/03/2011

A-006

SURFACE FINISH: Powder Coated

DRAWN Ricky Clark

Material

Unicol Engineering
Green Road
Oxford OX3 8EU

Gauge

DWG NO.

PLS1X3

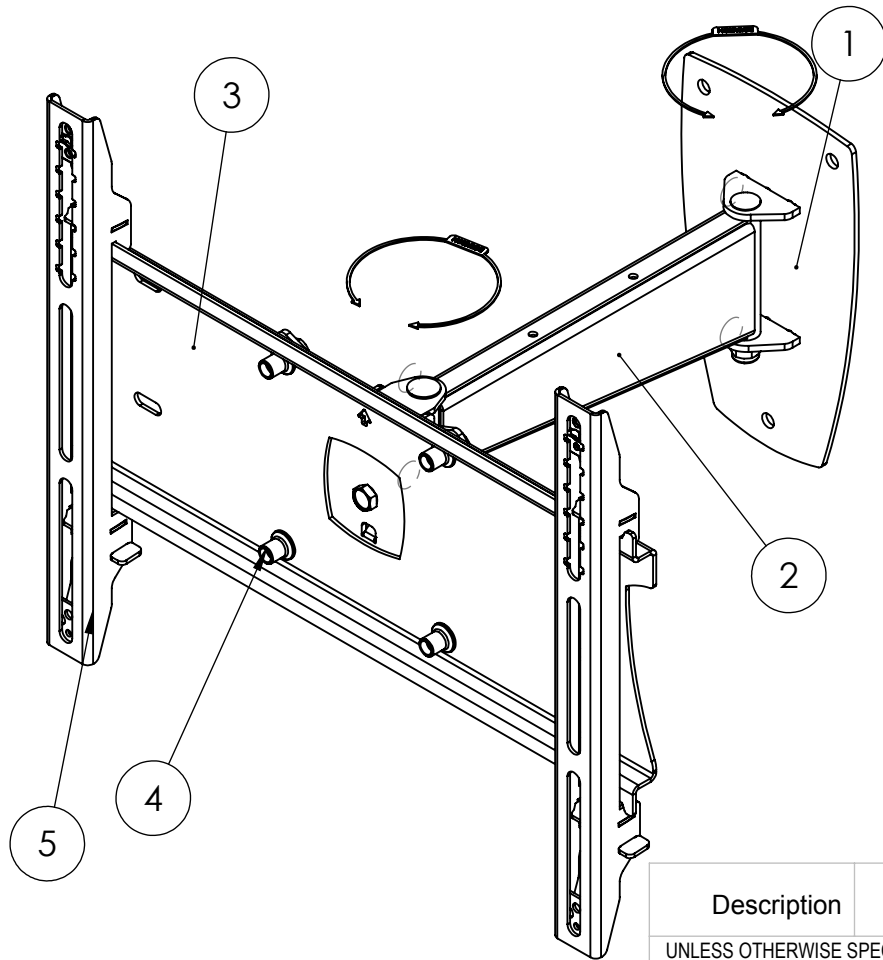
A4

Bend Tool

WEIGHT: Kg

SCALE:1:10 DO NOT SCALE DRAWING SHEET 1 OF 3

All Fixings must be approved
by a builder or architect
and these are only shown for illustrational purposes



Installation

1. Ensure that the wall structure can support five times the load - (including screen and all bracketry, peripherals)
2. Fix wall plate ① of arm to supporting wall
Consult your builder or architect if in doubt,(fixings not provided)
3. Route cables along the ② making certain these will not be trapped when moving the screen in and out.
4. Fit backplane of PLX- PLW ③ to the front plate using the 4 off M10 bolts ④
5. Fit the mounting arms ⑤ to the screen and lift the screen and arms onto the back plate fitting the side supporting screws and tighten
6. Fit all cables to Screen and push back to the desired position taking care not to trap any cables, fingers etc.

Description PIs With Pzx3 Universal Mount

UNLESS OTHERWISE SPECIFIED:
DIMENSIONS ARE IN MILLIMETERS
SURFACE FINISH: Powder Coated

Mod Date 06/04/2016

REVISION

Bend & Machine Number

Drawn Date: 24/03/2011

A-006

DRAWN Ricky Clark

Material

Unicol Engineering
Green Road
Oxford OX3 8EU

Gauge

DWG NO.

PLS1X3

A4

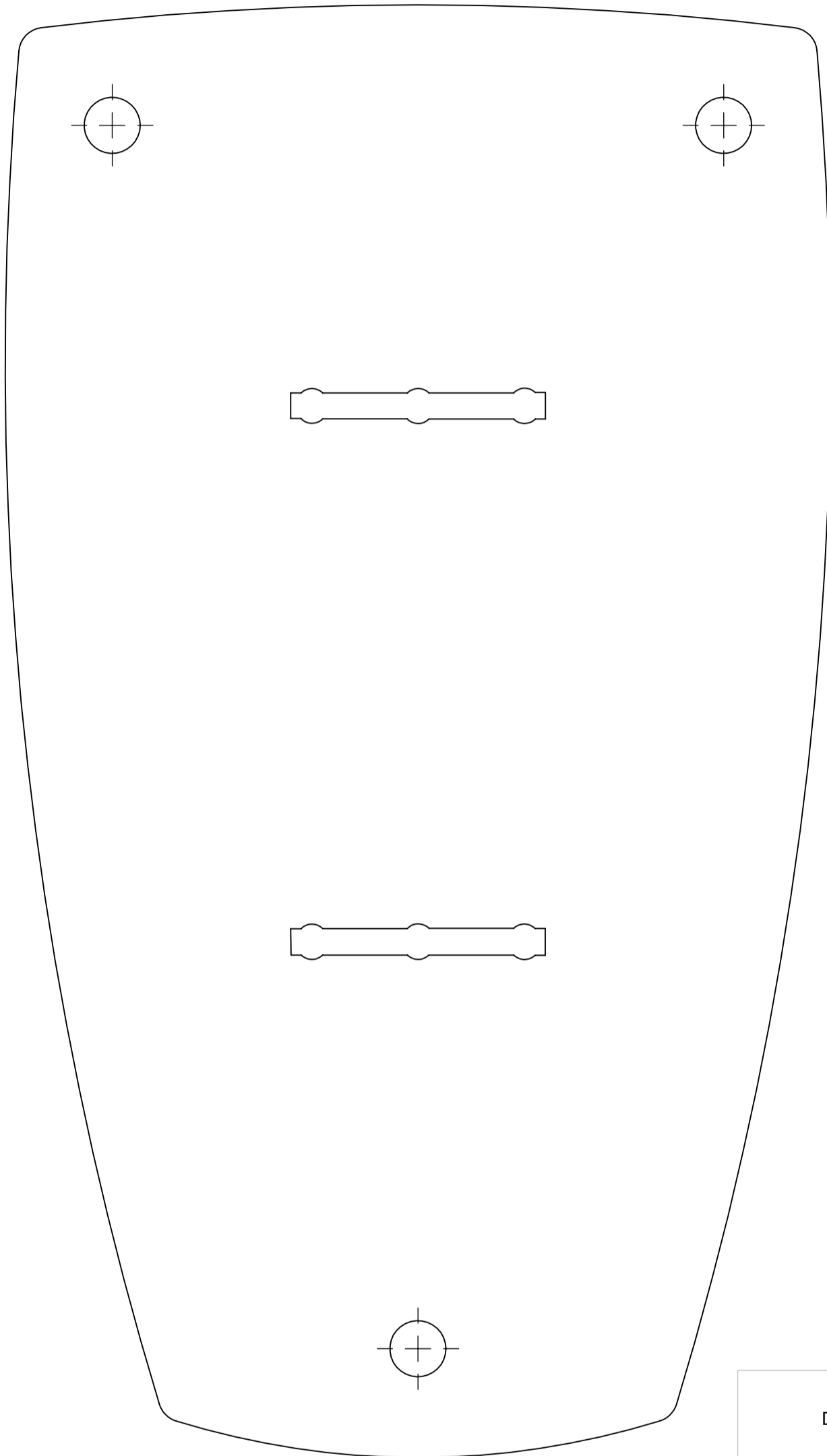
Bend V Tool

WEIGHT: 102.14 Kg

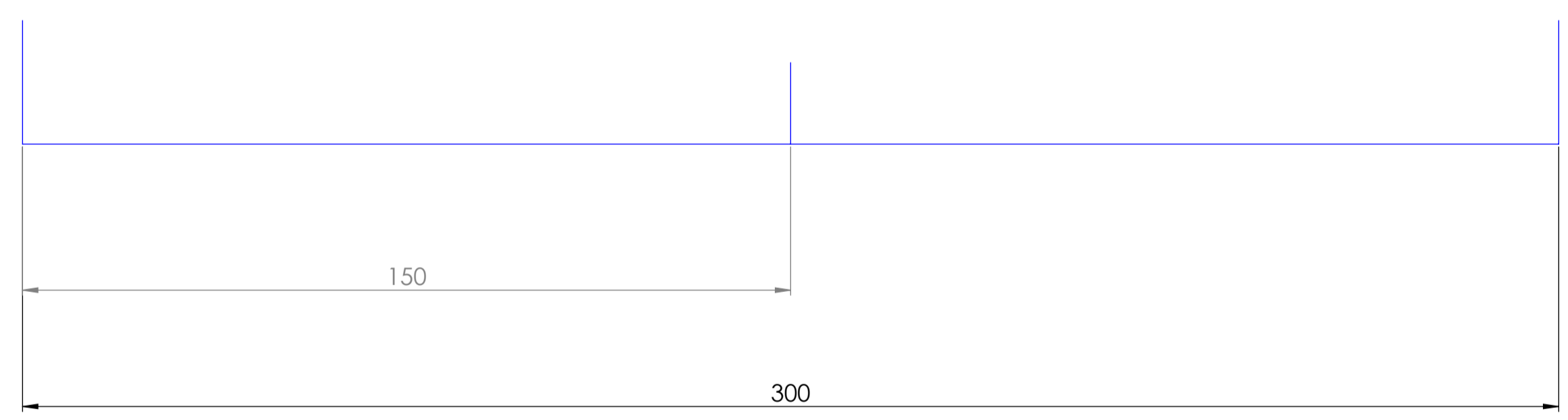
SCALE:1:5

DO NOT SCALE DRAWING

SHEET 2 OF 3



Print To Scale



| | | | | | |
|---|--|----------------|------------|--------------|-----------------------|
| Description | | Pls Back Plate | | | |
| UNLESS OTHERWISE SPECIFIED: DIMENSIONS ARE IN MILLIMETERS SURFACE FINISH: Powder Coated | | Mod Date | 05/04/2016 | REVISION | Bend & Machine Number |
| | | Drawn Date: | 14/06/2007 | | |
| DRAWN | Ricky Clark | Material | MILD STEEL | DWG NO. | PLS1X3 |
| | Unicol Engineering Green Road Oxford OX3 8EU | Gauge | 4.0 | | |
| Bend V Tool | None | WEIGHT: 102.14 | Kg | SCALE:1:1 | DO NOT SCALE DRAWING |
| | | | | SHEET 3 OF 3 | |

Bend V Tool

None

1

2

3

WEIGHT: 102.14

Kg

SCALE:1:1

DO NOT SCALE DRAWING

SHEET 3 OF 3

A

A

B

B

C

C

D

D