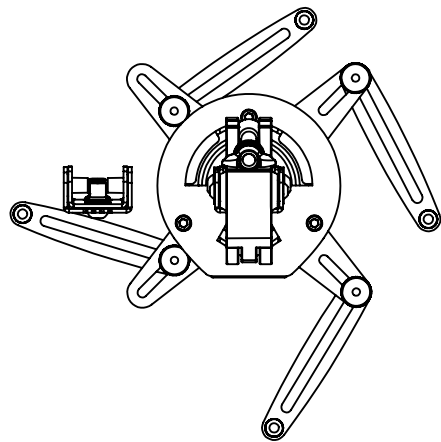
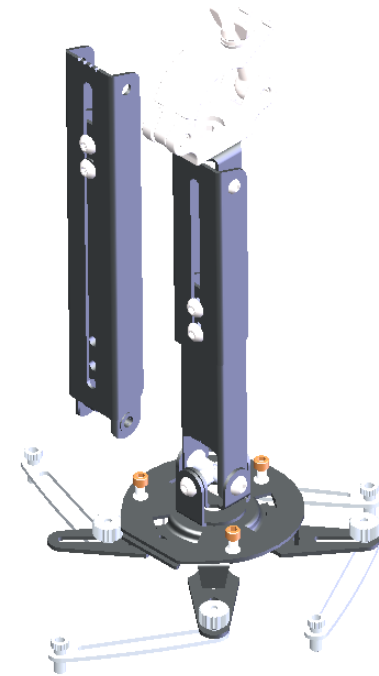
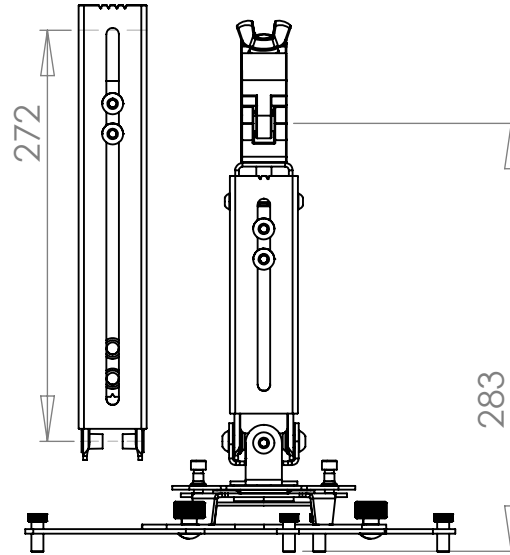
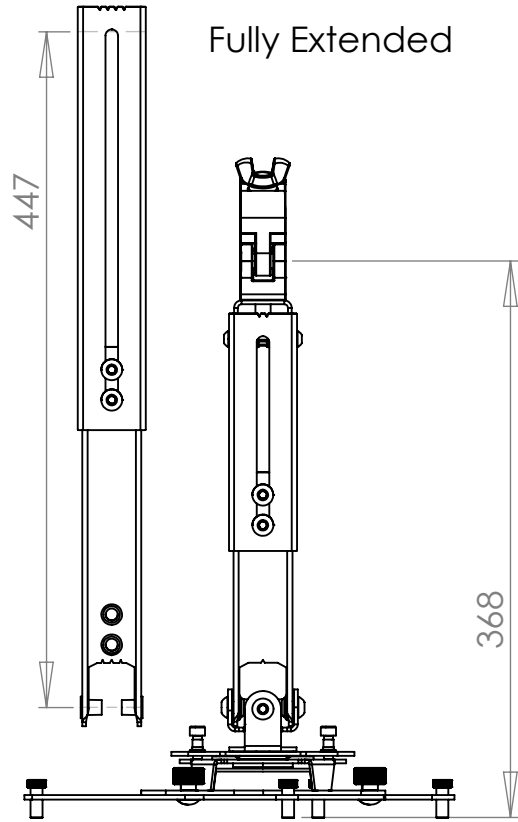


Fully Extended

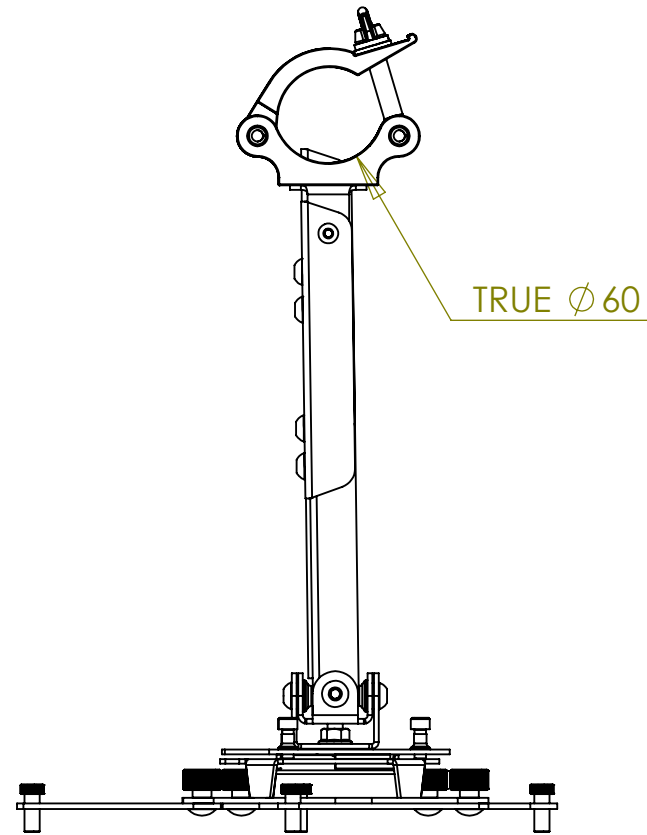
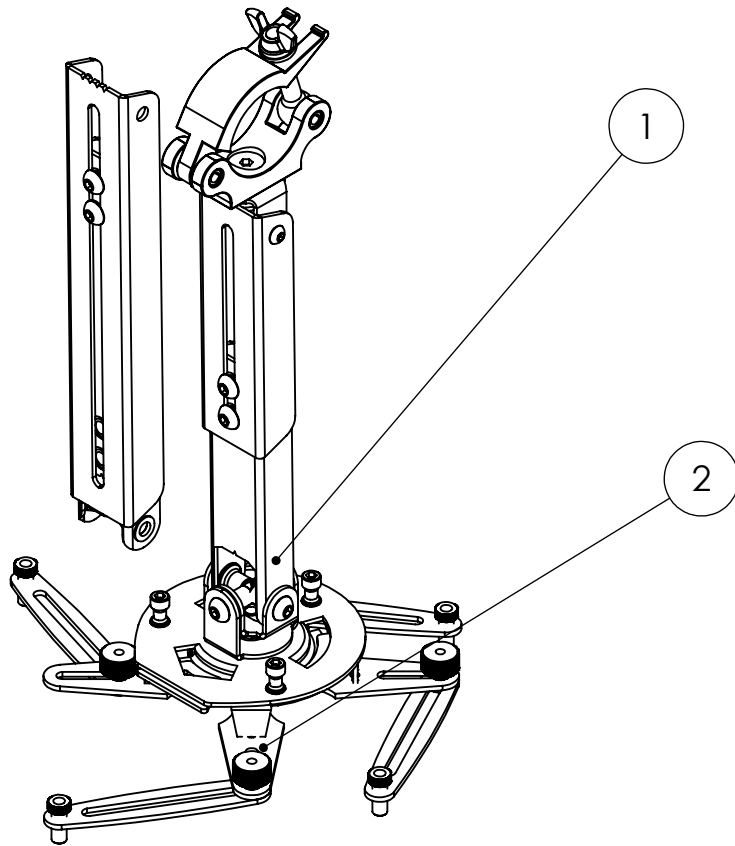
Fully Closed



Bend Tool

Description		Gkt2u Projector Mount 23 To 70Cm With Universal Mount		
UNLESS OTHERWISE SPECIFIED: DIMENSIONS ARE IN MILLIMETERS	Mod Date	18/03/2016	REVISION	Bend & Machine Number
	Drawn Date:	25/01/2007		
SURFACE FINISH: Powder Coated	DRAWN	Jim Morley	Material	DWG NO.
	Unicol Engineering Green Road Oxford OX3 8EU		Gauge	
	WEIGHT:		Kg	GKT2U
				A4
			SCALE:1:5	DO NOT SCALE DRAWING
				SHEET 1 OF 3

BOM Table			
ITEM NO.	PART NUMBER	Description	Default/QTY.
1	GKT2	Gkt2 Projector Mount 23 To 70Cm	1
2	GAPU	Universal Gyrolock Adapter Plate	1



Description		Gkt2u Projector Mount 23 To 70Cm With Universal Mount		
UNLESS OTHERWISE SPECIFIED: DIMENSIONS ARE IN MILLIMETERS	Mod Date	18/03/2016	REVISION	Bend & Machine Number
	Drawn Date:	25/01/2007	A-007	
SURFACE FINISH: Powder Coated	DRAWN Jim Morley		Material	DWG NO. GKT2U
	Unicol Engineering Green Road Oxford OX3 8EU		Gauge	

Bend V Tool

A4

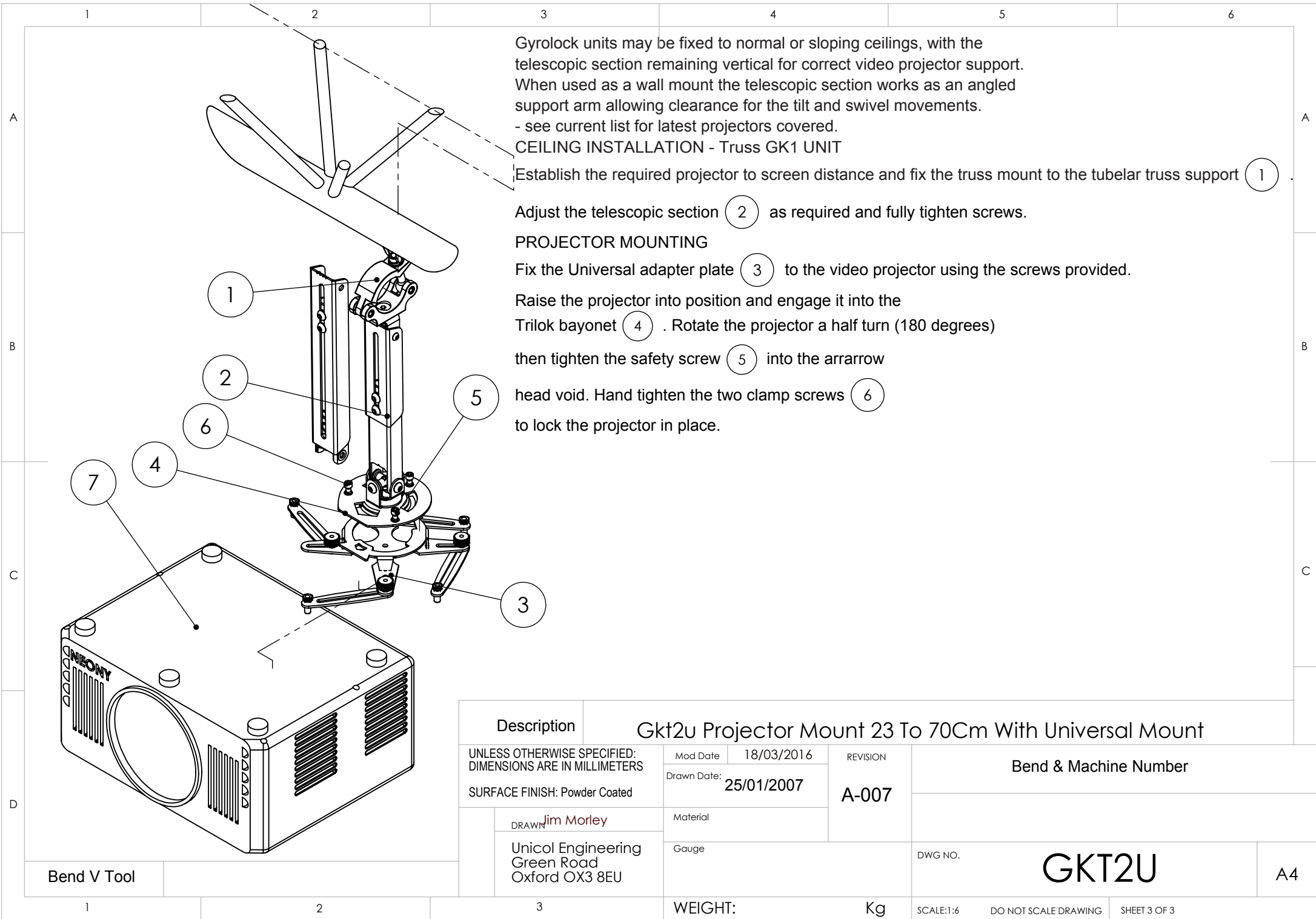
WEIGHT:

Kg

SCALE:1:4

DO NOT SCALE DRAWING

SHEET 2 OF 3



Gyrolock units may be fixed to normal or sloping ceilings, with the telescopic section remaining vertical for correct video projector support. When used as a wall mount the telescopic section works as an angled support arm allowing clearance for the tilt and swivel movements. - see current list for latest projectors covered.

CEILING INSTALLATION - Truss GK1 UNIT

Establish the required projector to screen distance and fix the truss mount to the tubular truss support (1)

Adjust the telescopic section (2) as required and fully tighten screws.

PROJECTOR MOUNTING

Fix the Universal adapter plate (3) to the video projector using the screws provided.

Raise the projector into position and engage it into the Trilok bayonet (4). Rotate the projector a half turn (180 degrees)

then tighten the safety screw (5) into the arrow

head void. Hand tighten the two clamp screws (6) to lock the projector in place.

Description		Gkt2u Projector Mount 23 To 70Cm With Universal Mount			
UNLESS OTHERWISE SPECIFIED: DIMENSIONS ARE IN MILLIMETERS	Mod Date	18/03/2016	REVISION	Bend & Machine Number	
	Drawn Date:	25/01/2007	A-007		
SURFACE FINISH: Powder Coated	DRAWN Jim Morley		Material	DWG NO. GKT2U	
	Unicol Engineering Green Road Oxford OX3 8EU		Gauge		
WEIGHT:		Kg		SCALE:1:6	DO NOT SCALE DRAWING
				SHEET 3 OF 3	

Bend V Tool

A4