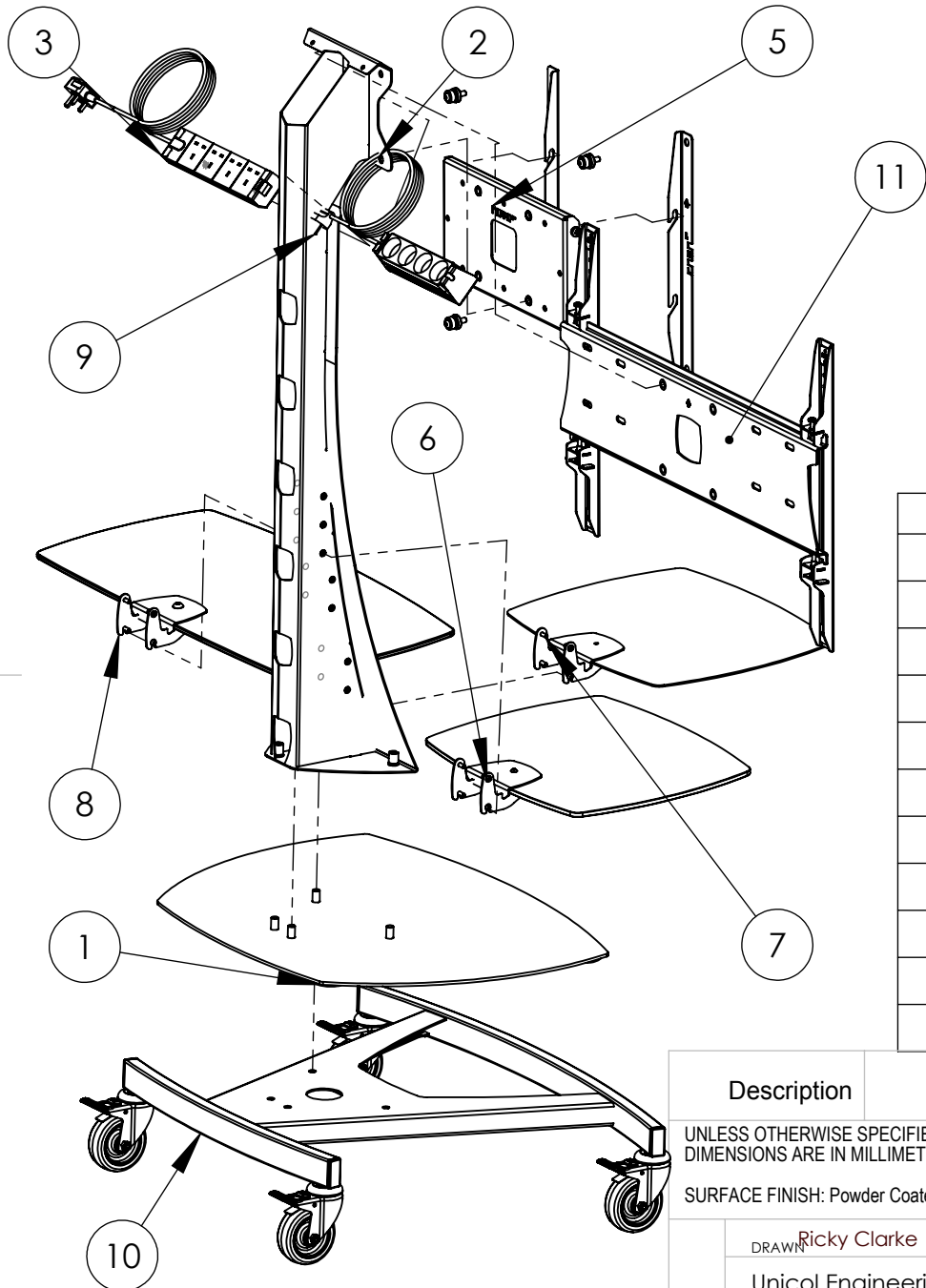


Description		Ax12p Axia Stand 1200 With Universal Mount		
UNLESS OTHERWISE SPECIFIED: DIMENSIONS ARE IN MILLIMETERS	Mod Date	13/07/2016	REVISION	Bend & Machine Number
	Drawn Date:	17/11/2006		
SURFACE FINISH: Powder Coated		Material		DWG NO.
DRAWN Ricky Clarke		Gauge		
Unicol Engineering Green Road Oxford OX3 8EU				AX12P1
WEIGHT:		Kg		A4
		SCALE:1:12	DO NOT SCALE DRAWING	SHEET 1 OF 2



BOM Table			
NO	Part Number	Description	QTY.
1	AXP2	Axp2 - Axia Plinth Base 1500 Only	1
2	AX12M	Ax12m - Axia Medium 1200 Mast Only	1
3	AXESU	Electrical Socket 4 Way Uk 150 Fixings	1
5	PLX2	Xactmatch Slimline Mount Sample	1
6	AXGS	Axgs Axia Glass Shelf Support 340 X 450	1
7	AXSS	Axg Steel Shelf 50(W) X 40(W)	1
8	AXWS	Axws Axia Glass Shelf Support 350 X 740	1
9	AXESE	Axes4e Euro 4 Way Electrical Socket Axia	1
10	AXT2	Axt2 High Trolley Base	1
11	PZX1	Pzx1 Pozimount Type 1 Non-Tilting	1

Description

Ax12p Axia Stand 1200 With Universal Mount

UNLESS OTHERWISE SPECIFIED:
DIMENSIONS ARE IN MILLIMETERS
SURFACE FINISH: Powder Coated

Mod Date 13/07/2016

REVISION

Bend & Machine Number

Drawn Date: 17/11/2006

A-011

DRAWN Ricky Clarke

Material

Unicol Engineering
Green Road
Oxford OX3 8EU

Gauge

DWG NO.

AX12P1

A4

Bend V Tool

WEIGHT:

Kg

SCALE:1:12

DO NOT SCALE DRAWING

SHEET 2 OF 2