



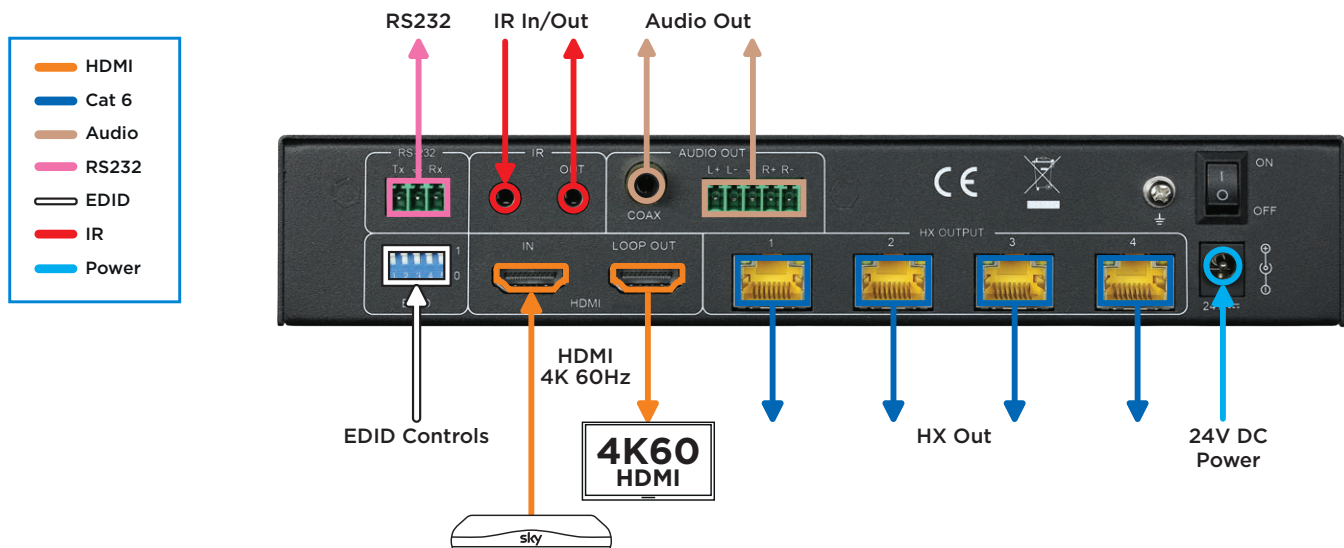
Xcalibur 14

Designed with the professional System Integrator in mind. Xcalibur can transmit HDMI 2.0 18G signals @ 4K60Hz 4:4:4 to 120m and @ 1080p to 150m. Xcalibur 14 Splits a single input to 4x HX outputs, also provided is an HDMI Loop output. The HX150-14-18G set, comes supplied with 4x Xcalibur 11 Receivers. Xcalibur 14 has Bi-directional IR, RS232 Control, RS232 Pass Through, Down Scaling of 4K60 4:4:4 to 1080p, Test Pattern Generator with Checkerboard or Solid Colour Patterns at 4K60, 4K30 or 1080p, Balanced Audio & Digital Audio De-embed Outputs, Video Keep Alive function which maintains a video output when no signal is detected, PoC, Support and management of HDCP 1.4 and HDCP 2.2 or Cascade Mode. Full EDID management. In addition the included Xcalibur 11 Receivers have an analogue Audio De-embed Output.

FEATURES

- **1x4 Splitter**
- **4x HX RXs included**
- **Long Range Reliable Transmission 1080p to 150m, 4K60 to 120m over cat6 cable**
- **HDMI 2.0 18Gbps 4K60 4:4:4**
- **Down Scaler - 4K to 1080p**
- **HDCP Management - Discrete control of HDMI & HX ports. HDCP 2.2, 1.4, or Cascade**
- **EDID Management - Discrete control of HDMI & HX ports, Pass-through, or user Memory option**
- **Test Pattern Generator - with Checkerboard or Solid Colour Patterns at 4K60, 4K30 or 1080p**
- **Video Keep Alive - Perfect for Projectors**
- **Audio Support - HDMI Pass Through to 7.1 Ch**
- **De-embed Audio to Balanced Analogue and Digital S/PDIF Coaxial outputs**
- **IR Control - Global IR Pass-through bi-directional ports**
- **RS232 Control - Bi Directional Addressable RS232**
- **Poc - Power all HX RXs from Xcalibur 14**

CONNECTIVITY ILLUSTRATION



SPECIFICATIONS

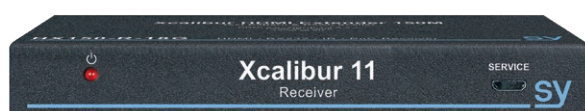
PART NUMBER	SY-HX150-14-18G		
VIDEO RESOLUTIONS/FORMATS	All HDMI and PC resolutions up to 4K 60Hz 4:4:4		
BANDWIDTH	18Gbps		
HDCP	Supports all version up to 2.2		
INPUTS	Video 1x HDMI 2.0		
OUTPUTS 14	HX 4x RJ45	Video 1x HDMI 2.0	Audio 1x RCA jack for S/PDIF Coaxial Digital 1x 5 Pin Phoenix terminals for Balanced L/R
OUTPUTS RX	Video 1x HDMI 2.0	Audio 1x 3.5mm Jack Socket	
CONTROL	IR 'Pass-Through' Input and output via 3.5mm jack RS232 via 3 pin Pheonix connector		
POWER SUPPLY	24V DC, 2.7A, 2.1mm barrel jack		
POWER CONSUMPTION	19W Max.		
WEIGHT AND DIMENSIONS	Weight (net) 0.855kg (each)	Size (WHD) 220 x 40 x 130mm	
WHAT'S IN THE BOX	1x SY-HX150-14-18G 4x SY-HX150-11-18G R 1x pair of main unit mounting brackets 1x pairs of Receiver mounting plates 4x Screw-on feet 5x 3-way Screw Terminal Connectors 1x 5-way Screw Terminal Connectors 5x IR Emitters 5x IR Receivers 1x 24V 2.7A Power Supply 1x UK 13A Mains Cable to IEC-60320 C13 Connector 1x User manual		

SY-HX150-14-18G Data Sheet 01.2 Details subject to change with no prior notice. ©SY Electronics 2022

Xcalibur 14 + 4x Xcalibur 11 Receivers



Xcalibur 14



4x Xcalibur 11 Receivers