

Xcalibur 11U

HX150-11U-18G

Extender Pair with RS232, 2x IR, PoC & USB



Xcalibur 11U



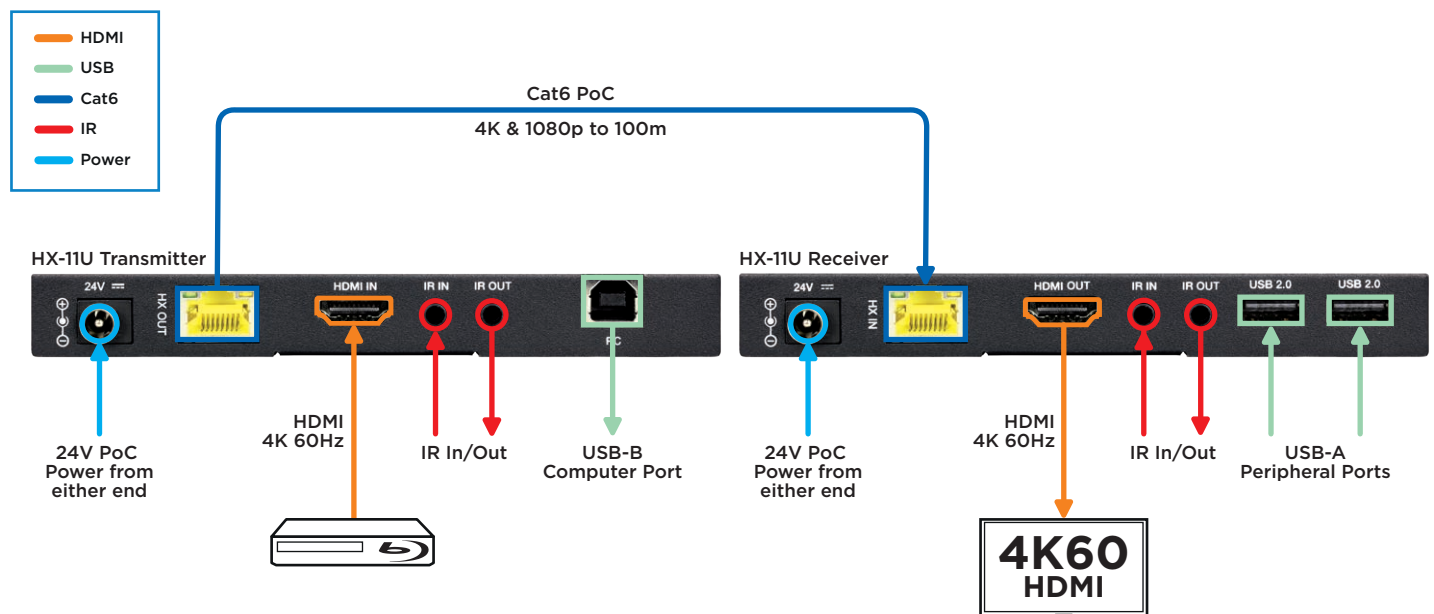
Xcalibur 11U

Using HX technology, Xcalibur 11U can extend HDMI 2.0 (18G) video signals along with USB 2.0 data for use with KVM etc. Transmit HDMI 2.0 (4K60 4:4:4) to 100m over a single Cat6, with Auto Down-Scaling, EDID & HDCP control. The USB 2.0 can handle Video and Audio streaming as well as Keyboard Mouse.

FEATURES

- **HDMI 2.0b** - Supports up to 4K60 4:4:4 (18Gbps)
- **USB 2.0** - Supports all USB 2.0 or below, to 170 Mbps max.
- Supports Bulk, Control, Interrupt, and Isochronous Transfers
- Transmission distance: 4K60 4:4:4 - 100m
- Auto 4K to 1080p intelligent Scaler
- HDCP 1.4/2.2 compliant • Auto HDCP control
- EDID management
- Bi-directional IR
- PoC - Requires only one PSU at the Transmitter or Receiver

CONNECTIVITY ILLUSTRATION



Xcalibur 11U

HX150-11U-18G

Extender Pair with RS232, 2x IR, PoC & USB



SPECIFICATIONS

PART NUMBER	SY-HX150-11U-18G-Set		
VIDEO RESOLUTIONS/FORMATS	All HDMI and PC resolutions up to 4K 60Hz 4:4:4		
BANDWIDTH	18Gbps		
HDCP	Supports all version up to 2.2		
INPUTS TX	Video 1x HDMI 2.0		
INPUTS RX	HX 1x RJ45	USB 2x USB-A ports	
OUTPUTS TX	HX 1x RJ45	Video 1x HDMI 2.0	USB 1x USB-B Computer Host port
OUTPUTS RX	Video 1x HDMI 2.0	Audio 1x 3.5mm Jack Socket	
CONTROL	IR 'Pass-Through' Input and output via 3.5mm jack RS232 via Micro USB EDID Switch on TX		
POWER SUPPLY	24V DC, 1A		
POWER CONSUMPTION	4.5W - Transmitter, 8.5W - Receiver		
WEIGHT AND DIMENSIONS	Weight (net) 0.250kg (each)	Size (WHD) 140 x 18 x 65mm	
WHAT'S IN THE BOX	1x SY-HX-150U-T-18G Xcalibur 11U Transmitter 1x SY-HX-150U-R-18G Xcalibur 11U Receiver 1x IR emitter cable (1.5m) 1x wideband IR receiver cable (1.5m) 4x mounting plates 8x screws for the mounting plates 1x 24V 1A locking PSU		

SY-HX150-11U-18G-Set Data Sheet 01. Details subject to change with no prior notice. ©SY Electronics 2022