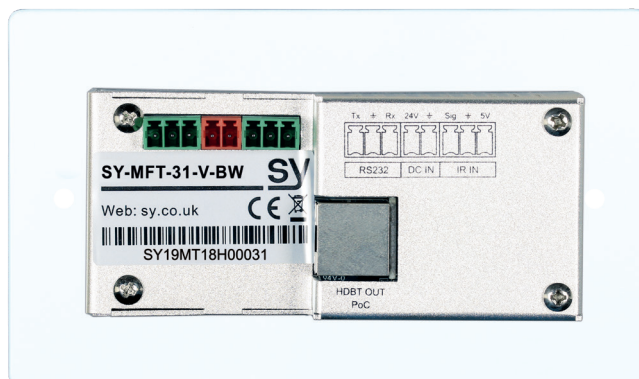


# MFT-31V-W

Wall mounted Multi-Format HDBaseT Transmitters,  
3 Inputs to 1 HDBaseT Output



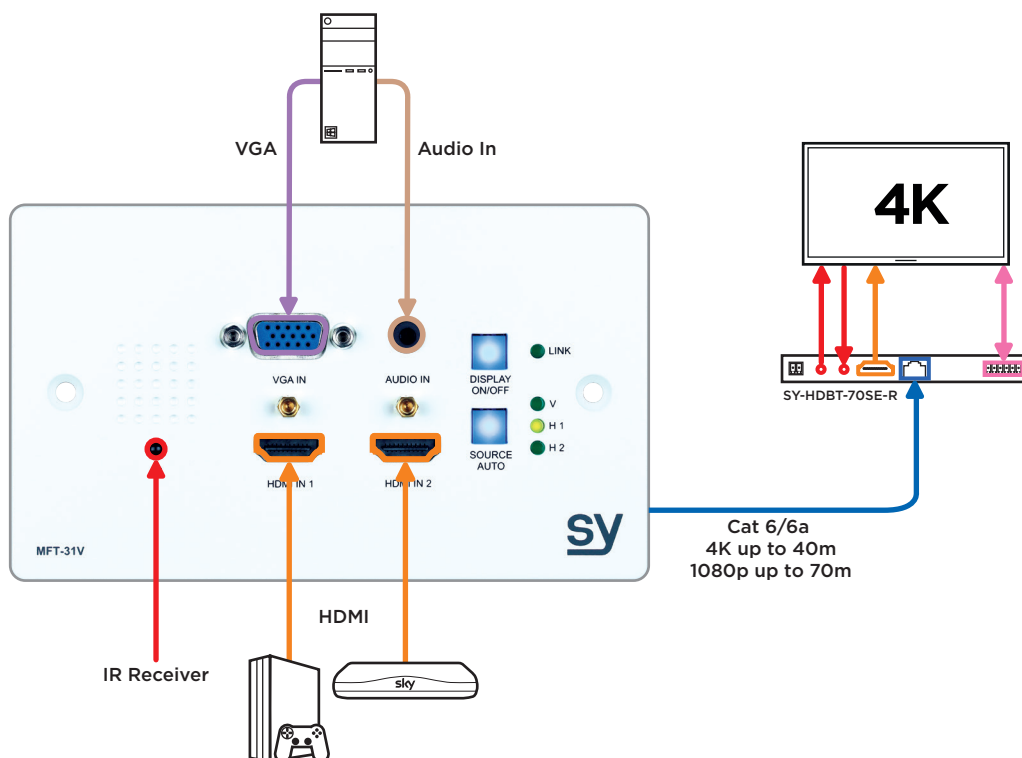
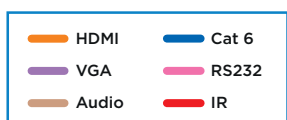
## MFT-31V-W

The MFT-31V-W is a feature packed three input, Multi-format HDBaseT transmitter/switcher. With 2x HDMI and 1x VGA inputs, a signal can be connected to a distant display such as a large screen or a projector, extending 1080p signal transmissions up to 70m and 4K60 4:2:0 up to 40m with HDCP 2.2. The 4K scaler facility ensures optimum display compatibility. Control via bi-directional RS232, IR, CEC and Auto On/Off allows the unit to provide countless flexible On/Off operation. Whilst PoC (Power over Cable) allows for easy installations, means only a single PSU is required from either the transmitter or receiver. With Auto or manual input selection from the front panel, auto standby, and user selectable auto switch, this device is perfect for classroom, meeting room or any environment where quick and simple connections from a laptop, mobile or other device is required in a wall mount format.

## FEATURES

- 2x HDMI inputs
- 1x VGA input
- 1x HDBaseT output (70m @ 1080p, 40m @ 4K30)
- RS232 control (Tx Rx) and data pass through
- IR Eye data pass through
- Built in IR Eye (IR receiver)
- 4K Scaling
- Display On/Off control via RS232, IR and CEC
- LED indication for selected input
- LED indication for Link status to HDBaseT receiver
- Auto/Manual selection

## CONNECTIVITY ILLUSTRATION



## SPECIFICATIONS

<b>PART NUMBER</b>	SY-MFT-31V-W	
<b>VIDEO RESOLUTIONS/FORMATS</b>	VESA and SMPTE 480p to 2160p with 3D. All HDMI resolutions to 3840x2160p@60Hz 4:2:0, 480p@60Hz, 1080p@24Hz, 4K@24Hz, 576p@50Hz 1080p@50Hz, 4K@30Hz, 720p@60Hz, 1080p@60Hz, 4K@60Hz, YUV4:2:0 All PC resolutions to 1920x1200@60Hz	
<b>BANDWIDTH</b>	10.2Gbps	
<b>HDCP</b>	1.4 & 2.2	
<b>INPUTS</b>	<b>Video</b> 1x HDMI type A 1x VGA	<b>Audio</b> L+R 3.5mm Stereo Jack
<b>MAXIMUM HDBaseT RANGE</b>	40m - 4K60 4:2:0 70m - 1080p60	
<b>CONTROL</b>	RS232 IR Front Panel Auto-Switching	
<b>POWER SUPPLY</b>	24V DC, 1.25A	
<b>POWER CONSUMPTION</b>	5W	
<b>WEIGHT AND DIMENSIONS</b>	<b>Weight (net)</b> 0.245kg	<b>Size (WHD)</b> UK: 146 x 86 x 43mm
<b>WHAT'S IN THE BOX</b>	1x MFT-31V-W 1x PSU with UK plug adapters 1x User's Manual	

SY-MFT-31V-W Data Sheet 01.2. Details subject to change with no prior notice. ©SY Electronics 2020