

MFS61-18G

6 Input Multi-Format Presentation Switcher, 3x HDMI, 1x Display Port, 1x USB-C, 1x VGA



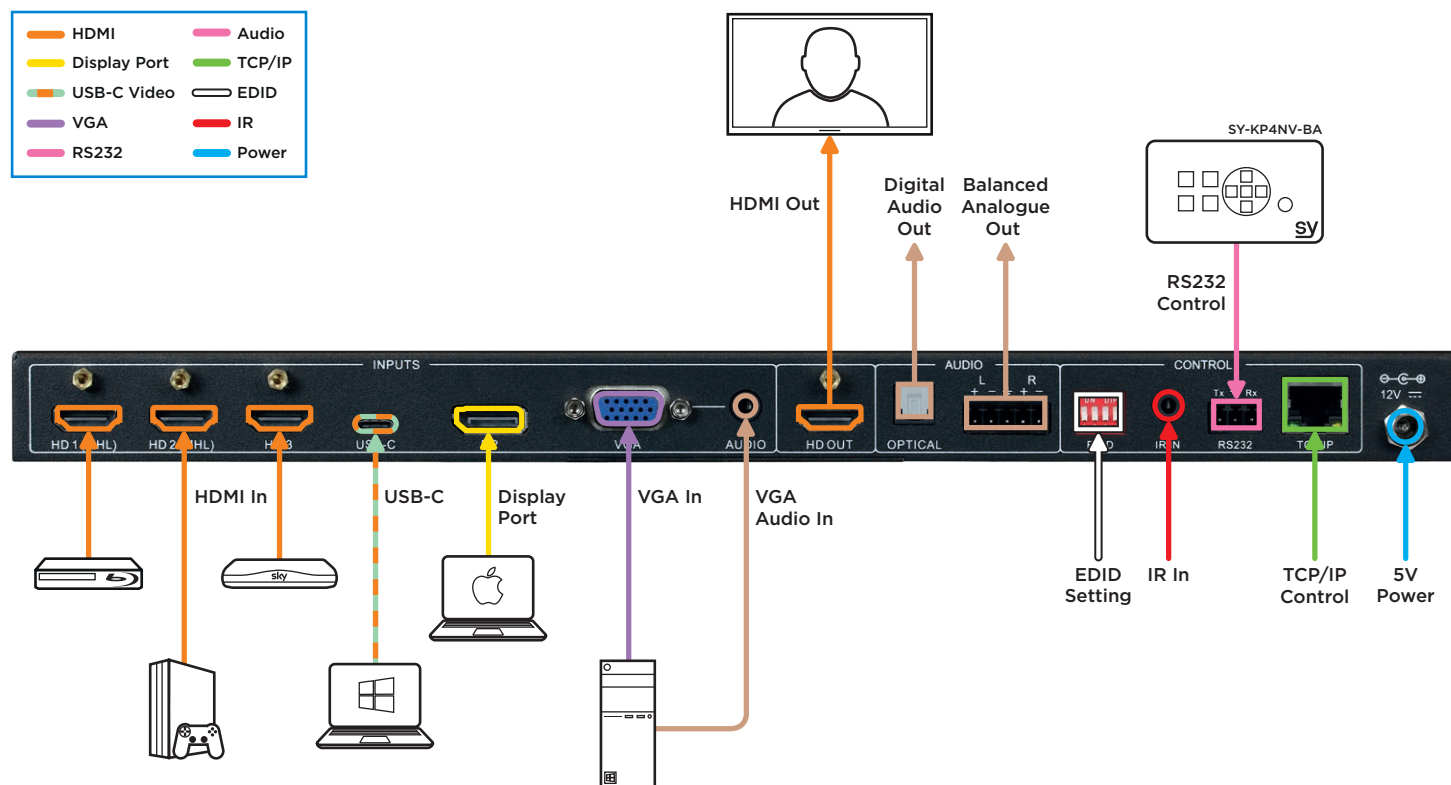
MFS61-18G

The MFS61-18G is a cost effective and feature rich multi-format presentation switcher featuring 3x HDMI, 1x USB Type-C, 1x DisplayPort and 1x VGA input connections and 1x HDMI output. The output audio is also de-embedded to both balanced analogue and optical S/PDIF (TosLink), whilst the VGA input can be scaled up to 1920x1200. Using CEC protocol, the MFS61-18G's display functions such as on/off and volume can be controlled via commands from the front panel, RS232 or via the built-in LAN interface. The unit also features 15 selectable EDID options, including four programmable locations and is suitable for a wide number of applications including meeting rooms, classrooms, lecture halls and conference rooms.

FEATURES

- HDMI 2.0, 4K60 4:4:4 (18Gbps) switcher
- 3x HDMI, 1x DisplayPort, 1x USB-C, 1x VGA
- 1x HDMI output
- VGA Scaler up to 1920x1200
- Balanced and optical audio
- Extensive EDID management
- Display on/off and volume control
- Control: Front panel, IR, RS232, LAN

CONNECTIVITY ILLUSTRATION



MFS61-18G

6 Input Multi-Format Presentation Switcher, 3x HDMI,
1x Display Port, 1x USB-C, 1x VGA



SPECIFICATIONS

| | | |
|----------------------------------|---|---|
| PART NUMBER | SY-MFS61-18G | |
| VIDEO RESOLUTIONS/FORMATS | VESA and SMPTE 480p to 2160p with 3D. All HDMI resolutions to 3840x2160p @60Hz 4:4:4 | |
| BANDWIDTH | 18Gbps | |
| HDCP | Compatible with all versions up to HDCP 2.2 | |
| INPUTS | Video 3x HDMI 1x USB-C 1x DisplayPort 1x VGA | Audio 1x 3.5mm L+R |
| OUTPUTS | Video 1x HDMI type A | Audio 1x Balanced audio out 1x Optical TosLink |
| CONTROL | IR TCP/IP RS232 Push button | |
| CLOCK SPEED | 340Mhz | |
| POWER SUPPLY | 12V DC@2A Max. | |
| POWER CONSUMPTION | 10W Max. | |
| WEIGHT AND DIMENSIONS | Weight (net) 0.620kg | Size (WHD) 342.5 x 26 x 115mm |
| WHAT'S IN THE BOX | 1x MFS61-18G 2x Mounting brackets with 4 M3 Screws 4x Plastic Cushions 1x IR Eye 1x IR Remote 1x 3 way terminal block 1x 5 way terminal block 1x RS232 cable 1x 12V 2A DC-PSU 1x User manual | |

SY-MFS61 Data Sheet 01.2. Details subject to change with no prior notice. ©SY Electronics 2020