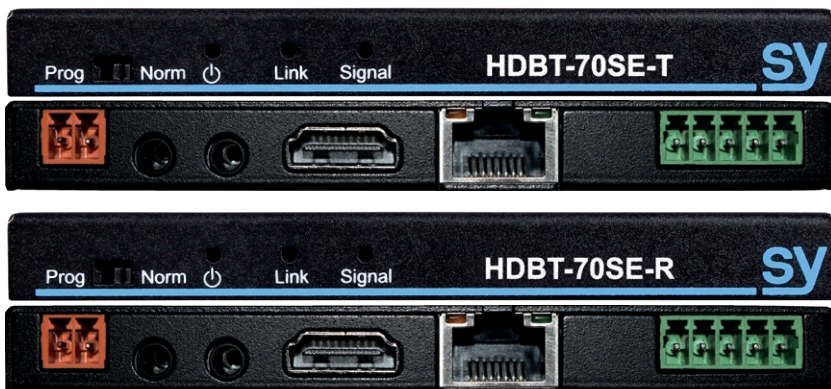


# HDBT-70SE

Ultra slim HDBaseT 70m Extender Pair with 2x RS232, 2x IR and PoC



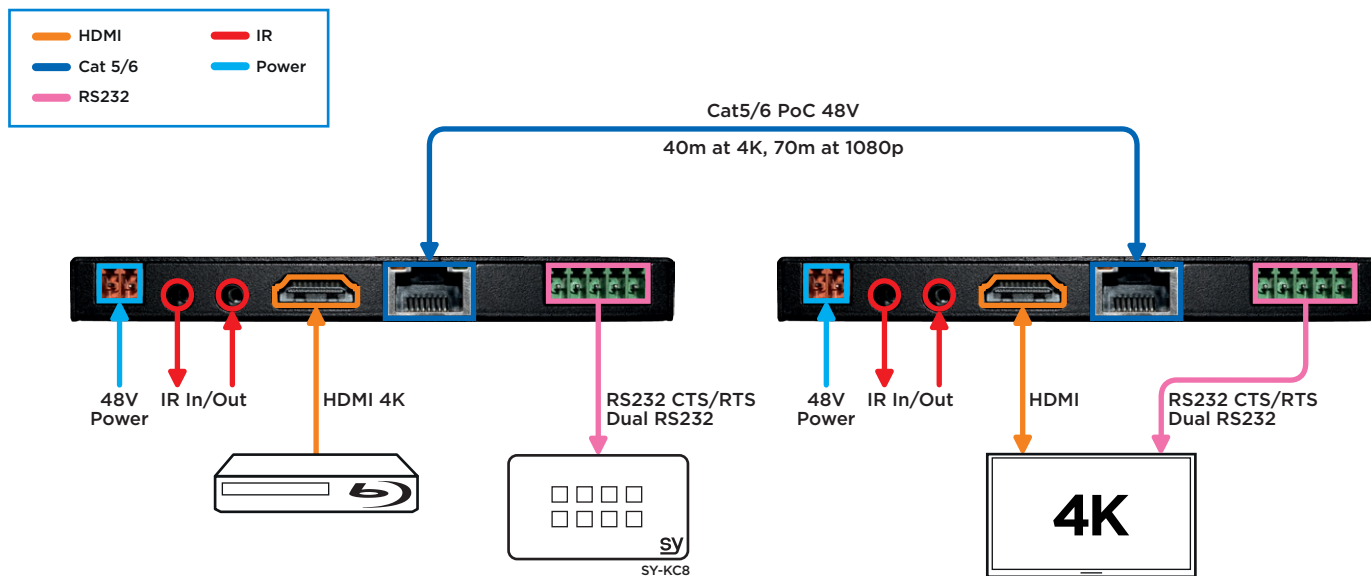
## HDBT-70SE

The HDBT-70-SE Slim Edge is the slimmest HDBaseT extender set available on the market, measuring only 108 x 70 x 11.5mm. The ergonomic design places all connections on the same edge for fast and discrete installations. The transmitter/receiver pair distributes HDMI 4K 30 UHD video over Cat5/6 up to 40m (3840x2160) and 1080p up to 70m. With two-way IR pass through, 2x bi-directional RS232, CEC and PoC (power over cable). SY's ingenious chassis cooling system ensures maximum reliability for demanding environments.

## FEATURES

- Set consisting of Transmitter and Receiver
- 2x bi-directional RS232 and IR
- PoC (Power over Cable)
- Slimmest HDBT (only 11.5mm)
- 70m HDBaseT Output @1080p
- 40m @4K 30 UHD
- Economical design
- All inputs and outputs on same edge
- Supports all HDMI resolutions up to 4K UHD and 2K

## CONNECTIVITY ILLUSTRATION



# HDBT-70SE

Ultra slim HDBaseT 70m Extender Pair with 2x RS232,  
2x IR and PoC



## SPECIFICATIONS

<b>PART NUMBER</b>	SY-HDBT-SLIM-70SE-SET		
<b>VIDEO RESOLUTIONS/FORMATS</b>	480i/576p/720i/720p/1080i/1080p /3840x2160 (8bit 30Hz RGB 4:4:4 YCbCr)		
<b>BANDWIDTH</b>	10.2Gbps		
<b>HDCP</b>	Supports all version up to 2.2		
<b>INPUTS</b>	<b>TRANSMITTER</b>	<b>Control</b>	<b>RECEIVER</b>
	<b>HDBT</b> 1x RJ45	1x Phoenix RS232 (Bi-directional) 1x IR out	<b>Video</b> 1x HDMI 1.4
<b>OUTPUTS</b>	<b>HDBT</b> 1x RJ45	<b>Control</b> 1x Phoenix RS232 (Bi-directional) 1x IR Out	<b>Video</b> 1x HDMI 1.4
<b>CONTROL</b>	IR RS232		
<b>POWER SUPPLY</b>	48V DC, 0.5A		
<b>POWER CONSUMPTION</b>	7.5W		
<b>WEIGHT AND DIMENSIONS</b>	<b>Weight (net)</b> 0.240kg (each)	<b>Size (WHD)</b> 109 x 11.5 x 70mm	
<b>WHAT'S IN THE BOX</b>	1x HDBT-70SE Transmitter 1x HDBT-70SE Receiver Mounting brackets and chassis screws 2x Phoenix plugs 1x Wall plug power supply with EU adaptor 1x Installation manual		

SY-HDBT-70-SE-SET Data Sheet 01. Details subject to change with no prior notice. ©SY Electronics 2023