

# VPL-FH60 and VPL-FH65 3LCD installation projectors

Crisp, detail-packed  
WUXGA images



## At a glance

- 6,000 lumens brightness (VPL-FH65)
- 5,000 lumens brightness (VPL-FH60)
- WUXGA (1920 x 1200) 16:10 resolution
- Supports HDBaseT
- Blend in, attractive design

## Key Features

- **High quality BrightEra 3LCD projection**  
The energy-efficient lamp source is coupled with our acclaimed BrightEra 3LCD projection engine to ensure high brightness with vivid, natural colour reproduction.
- **Wide choice of lenses**  
Installation flexibility is increased by a wide range of compatible lenses to suit virtually any size of room and throw requirements.
- **Energy saving lamp dimming mode**  
Gradually reduces lamp brightness and power consumption without compromising picture quality.

### High quality projection for everyone

Because no two organisations are alike, our installation projector range meets the diverse requirements of business and education environments with our lamp based models. The VPL-FH65 and VPL-FH60 projectors offer cost-effective options that deliver high-quality performance with 6,000 / 5,000 lumens brightness respectively, WUXGA resolution images, plus our unique panel technology to reproduce natural and vivid colour.

### Installation friendly

These models feature a built-in HDBaseT interface, enabling easier connectivity and reducing costs. A single cable runs all the video, audio, control, and IP signals up to 100 m. These projectors also have a new, integrated terminal cover design which allows installation without any visible cables.

### Wide lens shift

Generous lens shift adjustments give more flexibility for positioning the projector where you need it: close to ceilings or even horizontally offset; while bayonet lens mounting systems allow for quick and easy lens changes for when the projector is used for multiple purposes and locations.

### Choice of picture modes

New Picture Mode ensures great-looking presentations in a wide range of operating conditions, displayed content or applications. Select Standard, Dynamic, Brightness Priority or Multi Screen mode for optimised image quality.

**High image quality****Crisp, detail-packed WUXGA resolution images**

These projectors feature amazing WUXGA resolution (1920 x 1200) plus our unique 3LCD technology to deliver exceptional detail.

**Advanced picture technologies****See extreme clarity in every pixel**

These projectors feature Sony's advanced Reality Creation technology, designed and perfected in our 4K Home Cinema projectors. Reality Creation is a proprietary digital signal processing algorithm and pattern recognition database technology that allows image upscaling from the original for "Picture Perfect" images.

**Dynamic images with high contrast**

Contrast Enhancer is a technology developed from our Home Cinema projectors that is now also available for for these models. The average picture level is analysed in real time, correcting the dark and bright levels to enhance the contrast quality.

**Low TCO & energy efficient****Hassle-free automatic filter cleaning**

Now you can focus on great-looking images instead of arduous maintenance tasks. A new automated filter cleaning system removes dust every 100 hours.

**Picture muting**

Picture muting is a common feature in projectors, but our models both "blank" any signal output temporarily from viewing, as well as almost completely reducing light output. This in turn minimizes lamp usage and energy consumption.

**User advantages****Simple setup with new friendly installation menu**

Use the remote commander to easily adjust projector settings, including warping and edge blending.

**Project side-by-side**

Project images from two inputs at the same time; ideal for applications such as video conferencing and medical training.

**Network and control**

Controls and monitors projector status; compatible with various control systems.

Bright, beautiful images with low running costs, minimal maintenance, and flexible installation



## Installation advantages

### Lens shift function\*

Using this function, the position of the projected image can easily be moved vertically by -32% to +32% and horizontally by -5% to +60% during installation. With this exceptional shift range, the projectors can be installed in ways that maximise performance, even in the most difficult environments.

### Simple installation with HDBaseT

Save costs and simplify your installations with HDBaseT; all with just a single cable.



### Project onto non-flat surfaces with Image warping

Correct image geometry easily for natural-looking projections, even on convex or concave surfaces. It's easy to correct corners and edges with the supplied remote and on-screen menu.

### Create supersized displays with edge blending

Seamlessly join colour-matched images from multiple projectors, to create stunning, supersized displays for retail, corporate, and live event applications.

### Super quiet operation noise

Low fan noise\*\* ensures discreet, unobtrusive operation in quiet environments, from museums and galleries to lecture theatres.

### Professional calibration

The projectors offer a professional calibration function to adjust the hue, saturation and brightness of each target colour to get exactly the picture you want. With this capability, images can be tweaked to perfection.

\* Depends on lens

\*\* VPL-FH65/FH60 : 35 dB/28 dB (Lamp Mode: High/Standard)

## PrimeSupport

This projector comes supplied with a 3 year projector and 1 year lamp warranty/1000 hour PrimeSupport cover from the product purchase date.

In addition, optional PrimeSupport Plus packs are available which can further enhance the 3 year support to give extra peace of mind:

- A 2 year extension of the standard 3 year PrimeSupport to give longterm assurance of expert support, technical assistance and repairs for 5 years from purchase date.
- Provision of a loan unit for 3 or 5 years cover to ensure minimal impact to the customer's business in case of product failure.
- Cover for a lamp failure throughout the 3 year PrimeSupport term for customers who don't want to have any unexpected running costs.

PrimeSupport



Optional lenses

Projection lens	VPLL-3007	VPLL-Z3009	VPLL-Z3024	VPLL-Z3032
				
Throw ratio	0.65:1	0.85:1 to 1.0:1	2.34:1 to 3.19:1	3.18:1 to 4.84:1
Zoom / Focus	— / Manual	Manual / Manual	Powered / Powered	Powered / Powered
Lens shift	Vertical: Upward 10% to Downward 5% Horizontal: Right 4% to Left 4%	Vertical: Upward 50% to Downward 5% Horizontal: Right 24% to Left 24%	Vertical: Upward 60% to Downward 5% Horizontal: Right 32% to Left 32%	Vertical: Upward 60% to Downward 5% Horizontal: Right 32% to Left 32%
Aperture	f/1.75	f/1.85 to 2.1	f/2.00 to 2.30	f/2.00 to 2.40
Screen size*	60" to 300"	60" to 300"	40" to 600"	40" to 600"
Dimensions	W 150 x H 150 x D 222 mm	W 150 x H 150 x D 217 mm	W 97 x H 105 x D 177 mm	W 97 x H 105 x D 177 mm
Mass	1.7 kg	1.7 kg	1.2 kg	1.2 kg

\* Viewable area, measured diagonally.  
Compatibility adaptors available for 2000 Series VPLL-Z2009 and VPLL-2007 and 1000 Series VPLL-Z1032 and VPLL-Z1024.

Optional accessories



**LMP-F370**  
Projector Lamp



**LMP-F280**  
Projector Lamp



**PAM-310**  
Ceiling mount



**PAM-0.5M**  
Extension pole  
& ceiling plate

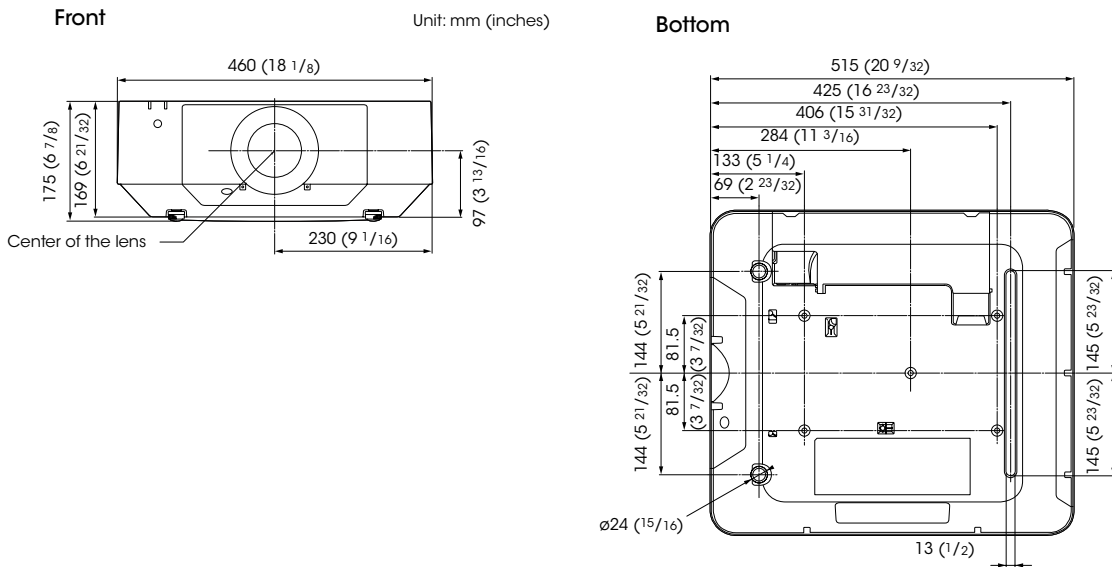


**PAM-1.0M**  
Extension pole  
& ceiling plate

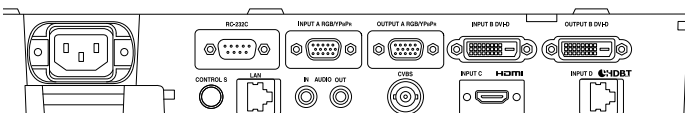


**PAM-1.5M**  
Extension pole  
& ceiling plate

Dimensions



Connector panels





## Specifications

		VPL-FH65	VPL-FH60
<b>Display system</b>		3 LCD system	
<b>Display device</b>	Size of effective display area	0.76" (19 mm) x 3 BrightEra LCD Panel, Aspect ratio: 16:10	
	Number of pixels	6,912,000 (1920 x 1200 x 3) pixels	
<b>Projection lens*1</b>	Zoom	Powered (Approx. x 1.6)	
	Focus	Powered	
	Lens shift	Powered, Vertical: -5%, +60%, Horizontal: +/-32%	
	Throw ratio	1.39:1 to 2.23:1	
<b>Light source</b>	High pressure mercury lamp 370 W type	High pressure mercury lamp 280 W type	
<b>Recommended lamp replacement time*2</b>	3,000 H / 4,000 H (Lamp mode: High / Standard)		
<b>Filter cleaning / replacement cycle (Max.)*2</b>	20,000 H (service maintenance)		
<b>Screen size</b>	40" to 600" (1.02 m to 15.24 m) (measured diagonally)		
<b>Light output (Mode: High / Standard)</b>	6,000lm / 4,400lm	5,000lm / 3,200lm	
<b>Colour light output (Mode: High / Standard)</b>	6,000lm / 4,400lm	5,000lm / 3,200lm	
<b>Contrast ratio*3 (full white / full black)</b>	2,000:1		
<b>Displayable scanning frequency</b>	Horizontal	15kHz to 92kHz	
	Vertical	48Hz to 92Hz	
<b>Display resolution</b>	Computer signal input	Maximum display resolution: 1920 x 1200 dots*4	
	Video signal input	NTSC, PAL, SECAM, 480/60i, 576/50i, 480/60p, 576/50p, 720/60p, 720/50p, 1080/60i, 1080/50i The following items are available for digital signal only: 1080/60p, 1080/50p, 1080/24p	
<b>Colour system</b>	NTSC3.58, PAL, SECAM, NTSC4.43, PAL-M, PAL-N, PAL60		
<b>Keystone correction (Max.)</b>	Vertical: +/- 30 degrees Horizontal: +/- 30 degrees		
<b>OSD language</b>	24-languages (English, Dutch, French, Italian, German, Spanish, Portuguese, Turkish, Polish, Russian, Swedish, Norwegian, Japanese, Simplified Chinese, Traditional Chinese, Korean, Thai, Vietnamese, Arabic, Farsi, Finnish, Indonesian, Hungarian, Greek)		
<b>Computer and video signal input/output</b>	INPUT A	RGB / Y Pb Pr input connector: Mini D-sub 15-pin (female), Audio input connector: Stereo mini jack	
	INPUT B	DVI input connector: DVI-D 24-pin (single link), HDCP support, Audio input connector: Shared with Input A	
	INPUT C	HDMI input connector: HDMI 19-pin, HDCP support, Audio input connector: HDMI audio support	
	INPUT D	HDBaseT interface connector: RJ45, 4 play (Video, Audio, LAN, Control)	
	VIDEO IN	Video input connector: BNC, Audio input connector: Shared with input A	
	OUTPUT A	Monitor output for Input A Connector: Mini D-sub 15-pin (female) Audio output connector: Stereo mini jack	
	OUTPUT B	Monitor output for Input B Connector: DVI-D 24-pin (single link), HDCP not supported Audio output, Monitor out connector: Stereo mini jack	
<b>Control signal input/output</b>	REMOTE	REMOTE D-sub 9-pin (male) / RS232C	
	LAN	LAN RJ45, 10BASE-T/100BASE-TX	
	IR (Control S)	IR (Control S) Stereo mini jack, Plug in power DC5V	
<b>Acoustic Noise (Mode: High / Standard)</b>	35 dB / 28 dB		
<b>Operating temperature (Operating humidity)</b>	0°C to 40°C (32°F to 104°F) / 20% to 80% (no condensation)		
<b>Storage temperature (Storage humidity)</b>	-10°C to +60°C (14°F to +140°F) / 20% to 80% (no condensation)		
<b>Power requirements</b>	AC 100 V to 240 V, 5.0A to 2.1A, 50 Hz / 60 Hz	AC 100 V to 240 V, 4.3A to 1.8A, 50 Hz / 60 Hz	
<b>Power consumption (Mode: High / Standard)</b>	AC 100 V to 120 V	498 W / 346 W	
	AC 220 V to 240 V	483 W / 337 W	
<b>Power Consumption (Standby Mode)</b>	AC 100 V to 120 V	0.5 W (when "Standby mode" is set to "Low")	
	AC 220 V to 240 V	0.5 W (when "Standby mode" is set to "Low")	
<b>Power Consumption (Networked Standby Mode)</b>	AC 100 V to 120 V	15.0 W (LAN) / 15.0 W (HDBaseT) / 15.0 W (All Terminals and Networks Connected) (when "Standby Mode" is set to "Standard")	
	AC 220 V to 240 V	13.3 W (LAN) / 13.3 W (HDBaseT) 13.3 W (All Terminals and Networks Connected) (when "Standby Mode" is set to "Standard")	
<b>Heat dissipation</b>	AC 100 V to 120 V	1699 BTU/h	
	AC 220 V to 240 V	1648 BTU/h	
<b>Dimensions (W x H x D) (without protrusions)</b>	460 x 169 x 515 mm 18 1/8 x 6 21/32 x 20 9/32 inches		
<b>Mass</b>	Approx 13Kg (28 lb)		
<b>Supplied accessories</b>	RM-PJ27 Remote Commander (1), Size AA (R6) batteries (2), AC Power Cord (1), Plug holder (1), Terminal cover (1), Quick Reference Manual (1), Operating Instructions (CD-ROM) (1)		
<b>Replacement lamp</b>	LMP-F370	LMP-F280	

\*1 With supplied standard lens

\*2 This figure is the expected maintenance time, not a guaranteed time.

The actual value depends on the environment and how the projector is used.

\*3 The value is average.

\*4 Available for VESA Reduced Blanking signal.

Distributed by



www.ivojo.co.uk

sales@ivojo.co.uk

For full features visit: [pro.sony.eu/installation](http://pro.sony.eu/installation)

© 2015 Sony Corporation. All rights reserved. Reproduction in whole or in part without permission is prohibited. Features and specifications are subject to change without notice. All non-metric weights and measurements are approximate. "Sony" and "BrightEra" are registered trademarks or trademarks of Sony Corporation. All other trademarks are the property of their respective owners.

Sony is the leading supplier of AV/IT solutions to businesses across a wide variety of sectors including, Media and Broadcast, Video Security, Medical, Digital Cinema and Displays. It delivers products, systems and applications to enable the creation, manipulation and distribution of digital audio-visual content that add value to businesses and their customers. With over 25 years' experience in delivering innovative market-leading products, Sony is ideally placed to deliver exceptional quality and value to its customers. Collaborating with a network of established technology partners, Sony delivers end-to-end solutions that address the customer's needs, integrating software and systems to achieve each organisation's individual business goals. For more information please visit [www.pro.sony.eu](http://www.pro.sony.eu)

HCT\_VPL-FH60 and VPL-FH65 Projector Datasheet\_J3091\_UK\_13/5/15\_V1

Follow us on Twitter at @SonyDisplays

SONY