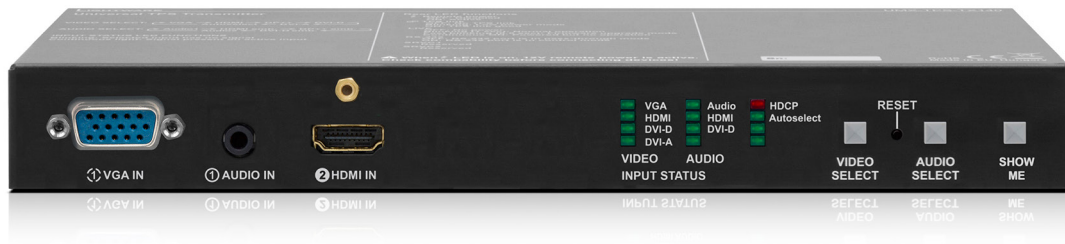


UMX series TPS transmitter for VGA, DVI-I and HDMI



Part No: 9154 0013

Highlight features

- 3D and 4K support
- Extends DVI, HDMI or VGA + Ethernet + RS-232 + IR over a single CAT5e...CAT7e cable up to 170 m distance*
- Audio and video connectors: DVI-I, HDMI, VGA, Stereo jack
- 10/100 Ethernet transmission
- Bi-directional RS-232 and IR
- GPIO control port
- HDCP compliant, CEC, EDID transparent
- Local audio embedding

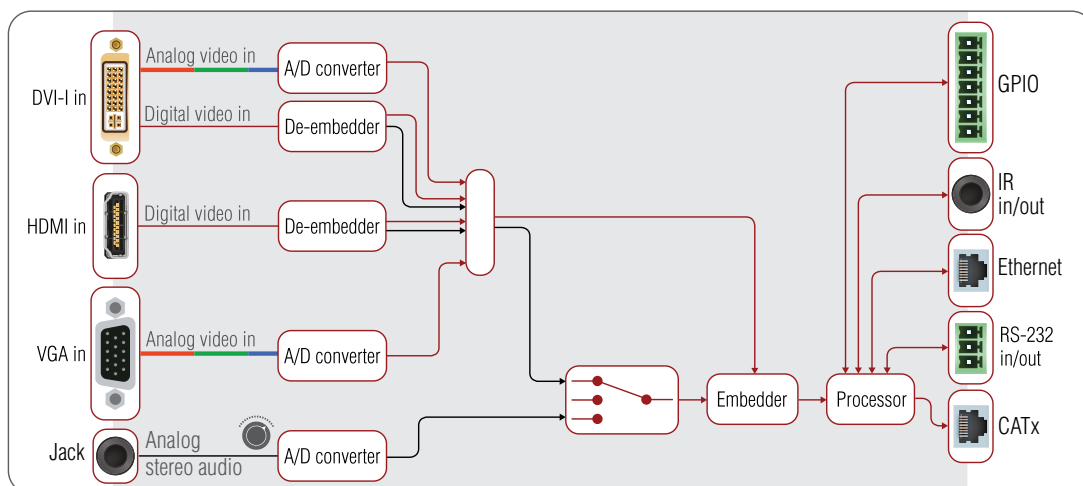
Lightware's new UMX-TPS-TX130 transmits universal video at a resolution up to 4K, audio and control up to 170 m distance* over a single CAT cable. This transmitter was designed for digital and analog video and audio signals e.g. DVI, VGA, YPrPb and HDMI1.4 with analog stereo audio from local input or embedded 7.1 HBR audio and to handle HDCP encryption. Analog signals (both audio and video) are converted to a digital format and can be transmitted separately from each other. Using the factory, custom or transparent EDID emulation the user can fix and lock EDID data on each input connector. Advanced EDID Management forces the required resolution from any video source and fixes the output format conforming to the system requirements. The unit offers bi-directional and transparent IR, RS-232 and Ethernet transmission. Furthermore the IR and RS-232 connection supports command injection, allowing it to send any IR or RS-232 control command directly from the LAN connection.

Remote powering is available through the single CAT cable, but local power supply can also be used. The device can be mounted on a rack shelf or used standalone. Due to Lightware's attentive design the UMX-TPS-TX130 is compatible with both the HDBaseT™** extenders and matrix boards.

*Depends on cable category and quality

**For further details check the User Manual

Port diagram



HDBaseT™ and the HDBaseT Alliance logo are trademarks of the HDBaseT Alliance

Applications

- Small classrooms
- Conference rooms, meeting rooms
- Control room
- Home cinema

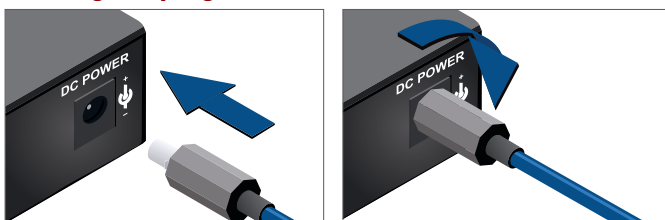
Features

- 3D and 4K support
- Extends DVI, HDMI or VGA + Ethernet + RS-232 + IR over a single CAT5e...CAT7e cable up to 170 m distance*
- Audio and video connectors: DVI-I, HDMI, VGA, Stereo jack
- Embedded 7.1 HBR audio support
- Separate audio and video transmission
- Autoselect mode: video and audio priority modes
- Intuitive Control Software
- 10/100 Ethernet transmission
- Bi-directional RS-232 and IR
- GPIO control port
- HDCP compliant, CEC, EDID transparent
- Local audio embedding
- HDBaseT compatibility
- Advanced EDID management
- No signal latency
- Frame detector
- Remote powering through CAT cable

Compatible products

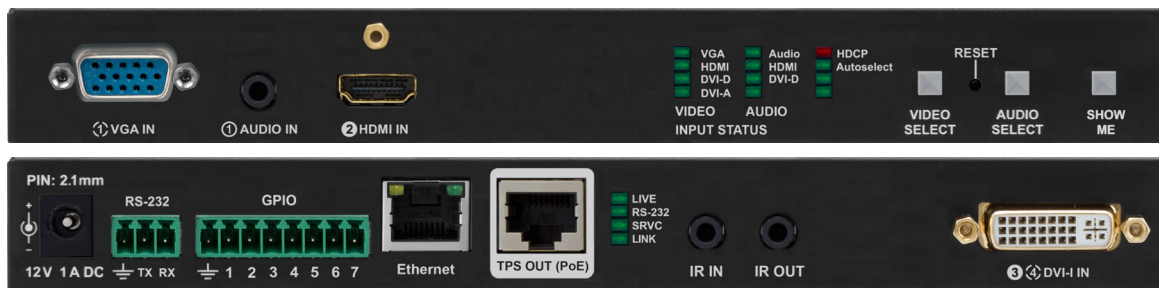
- MX Modular matrix frames with MX-TPS-IB
- HDMI-TPS-RX90
- MODEX TPS family
- DVI-HDCP-TPS-RX95
- HDMI-TPS-RX95

Locking DC plug



Twist 90° clockwise to lock

Transmitter front and back view



UMX-TPS-TX130

Specification

Resolution:	Up to 4K UHD 3840x2160@30Hz, 1600x1200@60Hz, FullHD 1920x1080@60Hz
Digital audio formats:	Supports up to 8 channel PCM, Dolby TrueHD and DTS-HD Master Audio 7.1 formats
Input cable equalization:	Automatic max 20 m
EDID emulation:	Yes, Advanced EDID Management
EDID memory:	120 factory preset, 15 user programmable
VGA to digital conversion:	0 microseconds delay
HDCP pass-through:	Yes
RS-232 pass-through:	Yes, configurable
RS-232 (control option):	9600, 19200, 38400, 57600, 115200 Baud Rx,Tx (local or through CATx)(default: 57600)
Local power:	Universal power adaptor, DC 12V 2.5A
Power over TPS:	DC 48V 1 A
Enclosure:	1 mm metal
Dimensions:	221 W x 100.4 D x 26 H mm
Compliance:	CE
Warranty:	3 years

Connectors

Digital video input:	HDMI connector, DVI-I connector
Analog video input:	VGA connector
Audio input:	Stereo jack
Ethernet:	1 x RJ45
TPS output:	1 x RJ45
Control:	7 x GPIO, IR
Serial port:	3-pole
Power:	Locking DC connector (2.1 / 5.5 mm)

Analog audio input

Volume:	-96 .. 0 dB
Balance:	0 .. 100%

UMX-TPS-TX130

Supplied accessories



PSU-12VU Universal DC adaptor (Part No: 1180 0051)
Wall power adaptor with interchangeable plug for international use.
Universal input: 100-240 V AC, 50-60 Hz, output: 12 V DC, 2.5 A



IR emitter and IR eye (Part No: 1374 0003 TX, 1374 0002 RX)
IR emitter is supplied with TPS-TX, IR eye is supplied with TPS-RX units. Needed for IR extension.

Optional accessories



Under desk mounting kit double (Part No: 5240 0276)
The UD-kit double makes it easy to mount multiple devices on any flat surface (e.g. furniture).



Rack shelf (Part No: 5240 0269)
1U high rack shelf provides mounting holes for fastening four quarter-rack sized units. Pocket sized devices can also be fastened on the shelf.