

HDMI Distribution Amplifier with Audio Embedder, De-Embedder and HDCP DA2HDMI-4K-Plus-A **new!**

Part No 9132 0006



DA2HDMI-4K-Plus-A is a multifunctional distribution amplifier with built-in EDID Management and Pixel Accurate Reclocking, supporting DVI and HDMI 1.4 signals with or without HDCP encryption. The output signal is reclocked and stabilized using Lightware Pixel Accurate Reclocking technology to remove jitter caused by long cables or poor quality sources.

DA2HDMI-4K-Plus-A features Advanced EDID Management and can emulate any HDMI display for continuous video output, even if the attached display is disconnected or powered down. HDCP enable/disable function turns off the unit's HDCP capability, which helps integrate certain laptops into a non-HDCP AV environment. The EDID memories from 1 to 55 are factory preset, the memories from 62 to 98 are user programmable. EDID memories from 56 to 61 are for universal EDID presets. Memory 0 is transparent for output 1, memory 99 is transparent for output 2, so using these settings the EDID of the last attached display devices (monitor or projector) will be reported to the source. With the Easy EDID Creator (PC software wizard) the users can create their own EDID by completing four simple steps. Experienced users can use the Advanced EDID Editor software to manage every possible setting in the EDID, which can be uploaded to the user programmable memory of the DA2HDMI-4K-Plus-A.

DA2HDMI-4K-Plus-A can be rack-mounted or used standalone. The unit is equipped with the highest grade gold plated connectors to ensure reliable connection.

DA2HDMI-4K-Plus-A is capable of audio embedding and de-embedding the PCM audio stream. Audio in port is a 3.5 jack socket, audio out is a 5-pole Phoenix socket. The unit also features a 3.5 jack output for headphone monitoring.

Applications

- Rental and staging
- Military
- Medical
- Digital Signage
- Multiroom video
- Conference rooms, collaborative telepresence

Features:

- 4K / UHD (30Hz RGB 4:4:4, 60Hz YCbCr 4:2:0) and 3D capabilities
- Local audio Embedding and De-Embedding
- Keeps source's HDMI or DVI output continuously active
- HDCP enable/disable function
- Signal detection, source detection and monitor detection LEDs
- USB control
- Cable loss compensation at Input
- Built-in Advanced EDID Management
- Pixel Accurate Reclocking
- HDCP compliant
- 3,5mm Jack input
- 5-pole Phoenix Balanced Output
- 3,5mm Headphone Output
- Built-in Video Testpattern Generator
- Deep color support
- Daisy chain support

Specifications

Data rate per TMDS channel:	3 Gbps
Max resolution:	3840 x 2400 or 4096 x 2160
Reclocking:	Yes
HDCP pass through:	Yes
Input cable equalization:	Automatic max 20m @4k30, or 30m @1080p60
Digital audio formats	Supports up to 8 channel PCM, Dolby TrueHD and DTS-HD Master Audio 7.1 formats
Front panel control:	Yes, EDID learn button/Audio select EDID selector switch
LED indicators:	Live , Video Input Status, Audio Signal Format, Video Output Status
EDID emulation:	Yes, Advanced EDID management with 100 EDID memories
EDID memory:	55 factory preset , 6 universal, 2 transparent, 37 user programmable
EDID support:	256 byte Extended EDID
+5V Power on HDMI Outputs:	50 mA
Power:	Universal power adaptor, DC 5V 2.5A (max)
Power consumption:	1,8 W (max)
Enclosure:	1 mm metal
Dimensions:	100,4 W x 67,6 D x 26 H mm
Net weight:	250 g
Warranty:	3 years

Optional accessory

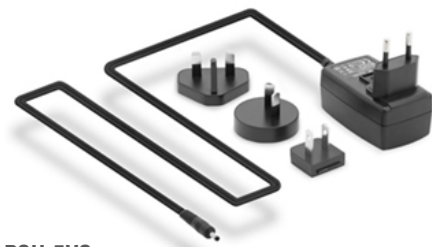


Rack shelf

Part No: 5240 0269

The 1U high rack shelf provides mounting holes for fastening two half- rack or four quarter-rack sized units.

Supplied accessory



PSU-5VS

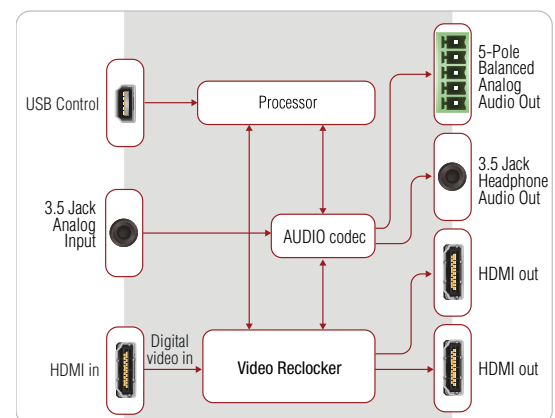
Part No: 1180 0050

Wall power adaptor with interchangeable plug for international use. Universal input: 100-240 V AC, 50-60 Hz, Output: 5 V DC, 2.5 A

Connectors

Input / Output:	HDMI connector / 2x HDMI connectors
Audio Input / Output:	3.5 jack type / 5 pole Phoenix type
Local Headphone Monitoring Output:	3.5 jack type
Control:	Mini USB-B female connector
Power:	DC connector (1.35/3.5 mm)

Port Diagram



Standalone diagram

