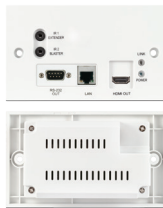


## 5-Play HDBaseT™ Wall Plate Receiver (inc. PoE & single LAN, up to 100m)

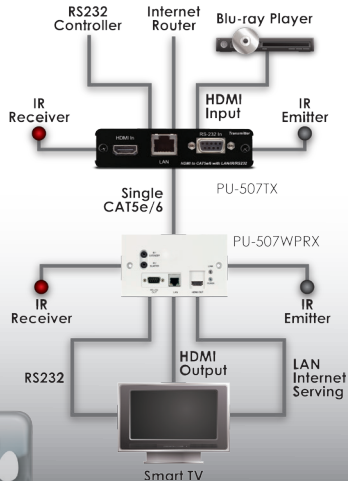


5Play™ **HDBT**® **HDMI**®  
HIGH-DEFINITION MULTIMEDIA INTERFACE

The flagship PU-507-RX HDBaseT™ Receiver is now available in a Wall Plate version for seamless integration into any installation. The PU-507-WPRX Wall Plate Receiver benefits from Full HDBaseT™ 5-Play features allowing uncompressed HDMI signals and IP data to be received over a Single CAT5e/6/7 cable. This solution also enables RS-232, LAN, IP Control, 2-way IR, and Power over Ethernet (PoE) functionality over the same CAT5e/6/7 cable. These combined HDMI and control signals can be transmitted up to lengths of 100 metres.

### FEATURES

- Supports all v1.4 HDMI resolutions plus 4k.
- Supports uncompressed video/audio up to 10.2Gbps
- Common supported resolutions: HDTV: 480p, 576p, 720p, 1080i, 1080p, 1080p24; PC: VGA, SVGA, XGA, WXGA, SXGA, UXGA, WUXGA.
- HDMI, HDCP, & DVI compliant
- Supports HDCP repeating and CEC functions
- Uncompressed data transfer over single CAT cable (100m - CAT6/7; 80m - CAT5e)
- Uncompressed video 1080p, 60Hz, 48bits
- Audio support up to 7.1CH & Dolby TrueHD, DTS-HD
- 5-Play™ convergence: HDMI, LAN, POE & Control (IR & RS232)
- Supports 3D signals



### SPECIFICATIONS

Input:	1x RJ45 (1x HDMI & Propriety Data) 1x 3.5mm Stereo mini-jack (1x Infra Red Receiver)
Output:	1x HDMI (1x HDMI Uncompressed AV and Data), 1x 9pin Dsub (1x RS-232 Data), 1x 3.5mm Stereo mini-jack (1x Infra Red Emmitter), 1x RJ45 (1x Ethernet (I/O) IP)
Power:	Self-powering RX via PoE
Dimensions:	145mm (W) x 40mm (D) x 85mm (H)
Gross Weight:	540g
Net. Weight:	360g
Packaging:	Boxed

