



Scan for full manual

VP-475UX Quick Start Guide

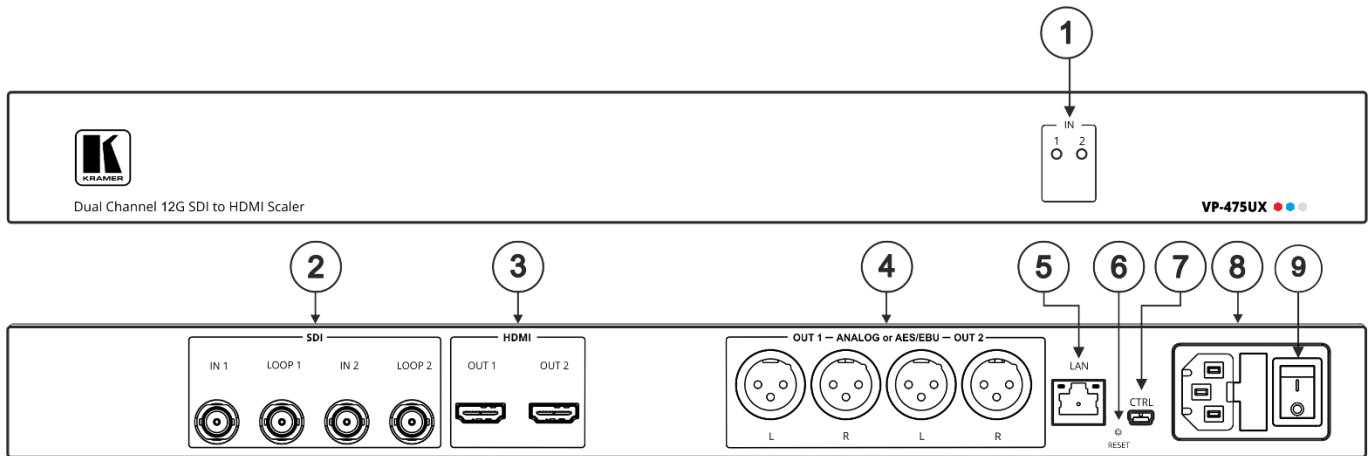
This guide helps you install and use your **VP-475UX** for the first time.

Go to www.kramerav.com/downloads/VP-475UX to download the latest user manual and check if firmware upgrades are available.

Step 1: Check what's in the box

- ✓ **VP-475UX** Dual Channel 12G SDI to HDMI Scaler
 - ✓ 1 Power cord
- ✓ 2 male 75Ω terminators
 - ✓ 1 Set of rack ears
- ✓ 1 Quick start guide
 - ✓ 4 Rubber feet

Step 2: Get to know your VP-475UX



#	Feature	Function				
1	IN LEDs	Illuminate to indicate the input resolutions (1 and 2): Off – no input signal. Red – SDI input signal is SD: NTSC – 480i or 480p Interlaced or progressive video formats. PAL – 576i or 576p Interlaced or progressive video formats. Yellow – SDI input signal is HD: 1.5G – 720p progressive or 1080i interlaced video format. 3G – 1080p progressive video format. Blue – SDI input signal is UHD: 6G – 2160p30 progressive video format. 12G – 2160p60 progressive video format				
2	SDI BNC Connectors	<table border="1" style="width: 100%; border-collapse: collapse;"> <tr> <td style="width: 100px;">IN</td> <td>Connect to SDI sources (1 and 2).</td> </tr> <tr> <td>LOOP</td> <td> Connect to the IN connector of the next unit in the daisy chain or connect to a local display (1 and 2). For best results, when an input is connected and it's corresponding LOOP is not used, connect a 75Ω terminator (supplied) to the unused LOOP connector. For example, if IN 1 is connected and LOOP 1 is not in use, connect a terminator plug to LOOP 1. </td> </tr> </table>	IN	Connect to SDI sources (1 and 2).	LOOP	Connect to the IN connector of the next unit in the daisy chain or connect to a local display (1 and 2). For best results, when an input is connected and it's corresponding LOOP is not used, connect a 75Ω terminator (supplied) to the unused LOOP connector. For example, if IN 1 is connected and LOOP 1 is not in use, connect a terminator plug to LOOP 1.
IN	Connect to SDI sources (1 and 2).					
LOOP	Connect to the IN connector of the next unit in the daisy chain or connect to a local display (1 and 2). For best results, when an input is connected and it's corresponding LOOP is not used, connect a 75Ω terminator (supplied) to the unused LOOP connector. For example, if IN 1 is connected and LOOP 1 is not in use, connect a terminator plug to LOOP 1.					
3	HDMI OUT Connectors	Connect to HDMI acceptors (1 and 2).				
4	ANALOG OR AES/EBU XLR (L, R) Connectors	Connect to a balanced stereo audio acceptor or to a digital AES/EBU receiver (OUT 1 and OUT 2).				
5	LAN RJ-45 Connector	Connect to a browser device via LAN and also use for firmware upgrade.				

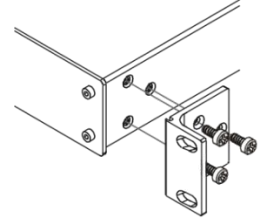
#	Feature	Function
6	RESET Button	Press briefly to restart the system. Press for ≥10 seconds to reset IP settings to factory default values. The device powers up and loads the factory default values.
7	CTRL Mini USB Connector	Device control and firmware upgrade.
8	Power Socket	AC connector enabling power supply to the VP-475UX .
9	Power Switch	Switch for turning the unit ON and OFF.

Step 3: Install VP-475UX

Install **VP-475UX** using one of the following methods:

Remove the three screws from each side of the unit, reinsert those screws through the rack ears and mount on a 19" rack.

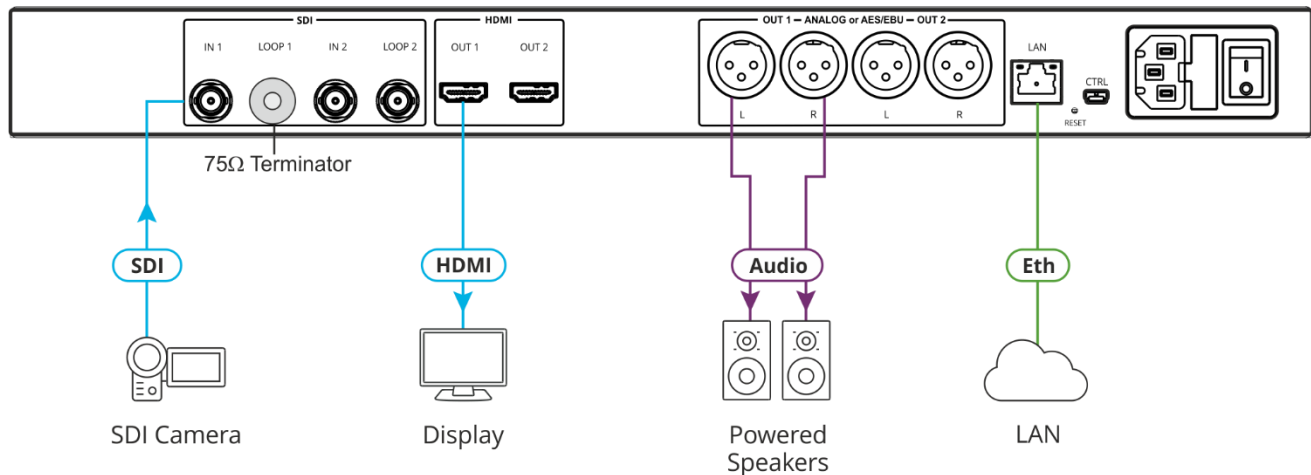
Attach the rubber feet and place the unit on a flat surface.



Step 4: Connect the inputs and outputs

Always switch OFF the power on each device before connecting it to your **VP-475UX**. For best results, we recommend that you always use Kramer high-performance cables to connect AV equipment to the **VP-475UX**.

You can daisy-chain the **VP-475UX** by looping the LOOP source to the next machine.



Step 5: Connect the power

Connect AC power to the rear of the **VP-475UX**, switch on its power and then switch on the power on each device.

Safety Instructions



Caution: There are no operator serviceable parts inside the unit.

Warning: Use only the power cord that is supplied with the unit.

Warning: Do not open the unit. High voltages can cause electrical shock! Servicing by qualified personnel only.

Warning: Disconnect the power and unplug the unit from the wall before installing.

See www.KramerAV.com for updated safety information.

Step 6: Operate VP-475UX:

Operate **VP-475UX** remotely via:

- USB/LAN port, by Protocol 3000 serial commands transmitted by laptop, or other serial controller.
- Embedded web pages via a browsing device that is connected to LAN.

RS-232			
Protocol 3000			
Baud Rate:	115200	Stop Bits:	1
Data Bits:	8	Parity:	None
Command format example (set pattern 13 on HDMI OUT 1):		#VID-PATTERN 1,13	
TCP/IP Parameters			
IP Address:	192.168.1.39	UDP Port #:	50000
Subnet Mask:	255.255.0.0	Maximum UDP Connections:	10
Default Gateway:	192.168.0.1	Maximum TCP Connections:	10
TCP Port #:	5000		
Factory Settings:	DHCP disabled	Default Hostname:	VP-475UX-xxxx (xxxx = last 4 digits of serial ID)
Full Factory Reset			
Web Page:	Device Settings > Upgrade.		
Protocol 3000:	#FACTORY<CR>		
Rear Panel Factory RESET Button:	Press and hold RESET on power up. The device automatically resets, loading factory default values.		

For each HDMI output configure the ports via the **AV Configuration Web page**:

- Define the source: SDI or a Signal Generator.
- Select the output resolution and adjust image settings.
We recommend that you have identical frame rates for both the input and the output.
- Set the SDI extracted audio output groups (4) and stereo channels per group (2).
- Define the extracted audio output format: Analog or AES.
Note that if AES is selected, keep **Pair** set to 1 so that all the audio channels appear on the AES outputs.

The screenshot shows the 'AV Configuration' web page for the Kramer VP-475UX Controller. The interface is split into two columns for 'HDMI Output 1' and 'HDMI Output 2'.
HDMI Output 1 (Video):
 - **Source:** SDI 1 (selected), Signal Generator (unselected). A 'Black' color selection dropdown is visible.
 - **Image settings:** Resolution: Native; Brightness: 50; Contrast: 48; Saturation: 50.
HDMI Output 2 (Audio):
 - **Source:** Group: 1; Pair: 1.
 - **Output Format:** Analog (selected), AES (unselected).

Technical Specifications

Inputs	2 SDI	Auto-sensing 12G/6G/HD-SDI/SDI video signal on 75Ω BNC connectors
Outputs	2 HDMI	On female HDMI connectors
	2 SDI (Input Loop)	On 75Ω female BNC connectors
	2 XLR Balanced Stereo Audio or AES/EBU Digital Audio	On XLR connectors
Ports	ETH	On an RJ-45 female connector
	USB	On a female mini USB connector
SDI SMPTE Standard Compliance	12G-SDI	SMPTE ST-2082-1
	3G HD-SDI	SMPTE 424M
	6G	SMPTE ST-2081
	HD-SDI	SMPTE 292M/344M
	SDI	SMPTE 259M
Input Resolutions	Maximum Resolution	4K@60Hz (4:2:2)
	Data Rate	259Mbps up to 12Gbps
SDI Cable Equalization Maximum Reach	12G-SDI	70m (230ft)
	6G and 3G HD-SDI	100m (330ft)
	HD-SDI	200m (660ft)
	SDI	300m (980ft)
HDMI Video	Maximum Resolution	4K@60Hz (4:4:4)
	Output Resolutions	Progressive: Native, 640x480@60Hz, 720x480@60Hz, 720x576@50Hz, 800x600@60Hz, 1024x768@60Hz, 1280x720@50/60Hz, 1280x720@24/25/30/50/60Hz, 1280x768@60Hz, 1280x1024@60Hz, 1600x1200@60Hz, 1680x1050@60Hz, 1920x1080@24/25/30/50/60Hz, 1920x1200@60Hz, 3840x2160@24/25/30/50/60Hz
	Conversion Latency	50ms (approx.)
Controls	Front panel	IN LEDs
	Remote	Mini USB
		LAN
		Web UI
Power	Source	100-240V AC
	Consumption	58VA max.
Environmental Conditions	Operating Temperature	0° to +40°C (32° to 104°F)
	Storage Temperature	-40° to +70°C (-40° to 158°F)
	Humidity	10% to 90%, RH non-condensing
Enclosure	Size	19", 1U
	Type	Aluminum
	Cooling	Fan Ventilation
Regulatory Compliance	Safety	CE
	Environmental	RoHs, WEEE
General	Net Dimensions (W, D, H)	43.64cm x 18.3cm x 4.36cm (17.18" x 7.2" x 1.72")
	Shipping Dimensions (W, D, H)	55cm x 27.6cm x 10.7cm (21.7" x 10.87" x 4.21")
Accessories	Included	Power cord
Specifications are subject to change without notice at www.kramerav.com		