



Scan for full manual

## VM-2DT Quick Start Guide

This guide helps you install and use your **VM-2DT** for the first time.

Go to [www.kramerav.com/downloads/VM-2DT](http://www.kramerav.com/downloads/VM-2DT) to download the latest user manual and check if firmware upgrades are available.

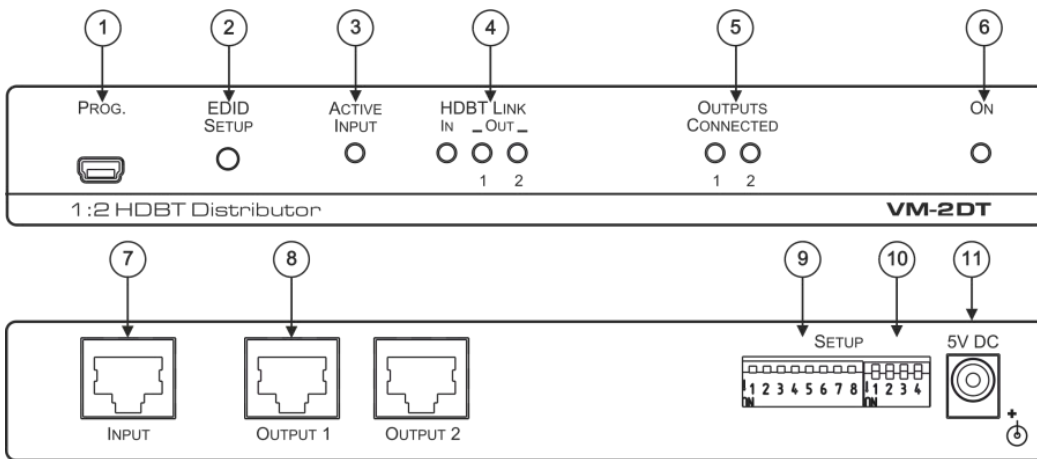
### Step 1: Check what's in the box

- ✓ **VM-2DT** 1:2 HDBT Distributor

✓ 4 Rubber feet
- ✓ 1 Power supply (5V DC)

✓ 1 Quick start guide
- ✓ TOOL Mounting bracket kit

### Step 2: Get to know your VM-2DT



#	Feature	Function	
1	PROGRAM Mini USB Connector	Use to send RS-232 commands. Connect to a PC to perform firmware upgrades (via K-Upload) and work with the EDID Designer. K-Upload and EDID Designer can be downloaded from our Web site at: <a href="http://www.kramerav.com/manual/EDID_Designer">www.kramerav.com/manual/EDID_Designer</a>	
2	EDID SETUP Button	Press to capture the input EDID, force RGB mode or select the default EDID	
3	ACTIVE INPUT LED	Lights green when an active input signal is detected	
4	HDBT LINK LEDs	IN	Lights green when a link is established with the HDBaseT transmitter
		OUT	Lights green when a link is established with the HDBaseT receiver (1 and 2)
5	OUTPUTS CONNECTED LEDs	Lights green when an active output acceptor is detected (1 and 2)	
6	ON LED	Lights green when the unit receives power	
7	INPUT HDBT Connector	Connects to an HDBaseT source, for example <b>VS-44DT</b>	
8	HDBT OUT Connectors	Connect to an HDBaseT acceptor (from 1 to 2), for example <b>TP-580R</b>	
9	SETUP 8-way DIP-switches	Use to set the IR (DIP-switches 1 and 2) and RS-232 (DIP-switches 5 and 6) commands behavior	
10	SETUP 4-way DIP-switch	For future use	
11	5V DC	+5V DC connector for powering the unit	

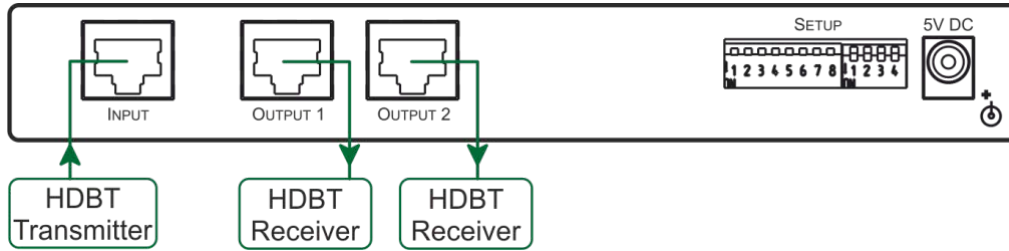
### Step 3: Install the VM-2DT

To mount the **VM-2DT** in a rack, use an **RK-T2B** rack adapter. Alternatively, attach the rubber feet to the underside of the **VM-2DT** and place it on a table.

A Kramer Mega TOOLS™ can also be mounted on a desk top, wall or similar area. Fasten a bracket on each side of the TOOLS using the two M3x8 screws (supplied). Use the flat-head screws (supplied) to fix the TOOLS to the mounting surface or enable it to slide in place.

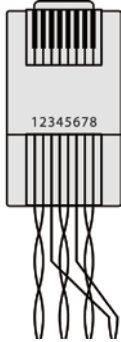
## Step 4: Connect the inputs and outputs

Always switch OFF the power on each device before connecting it to your **VM-2DT**. For best results, we recommend that you always use Kramer high-performance cables to connect AV equipment to the **VM-2DT**.



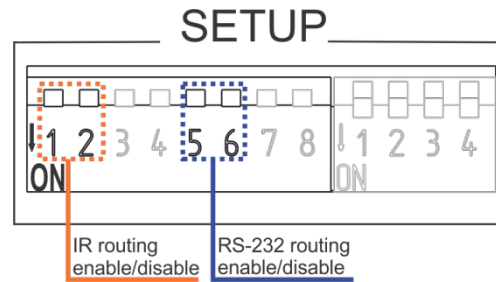
### RJ-45 Pinout:

For the HDBaseT connectors, see the wiring diagram below:



PIN EIA /TIA 568B	
PIN	Wire Color
1	Orange / White
2	Orange
3	Green / White
4	Blue
5	Blue / White
6	Green
7	Brown / White

### DIP-Switch Setup:



Out #	IR Routing is enabled when:	RS-232 Routing is enabled when:
OUT 1	DIP 1 – OFF (up)	DIP 5 – OFF (up)
OUT 2	DIP 2 – OFF (up)	DIP 6 – OFF (up)

DIP-Switches 3, 4, 7 and 8 are reserved for future use.

## Step 5: Connect the power

Connect the power adapter to the **VM-2DT** and plug the adapter into the mains electricity.

## Step 6: Acquire the EDID

To acquire an EDID, press the **EDID SETUP** button as follows:

- Press the EDID SETUP button once.  
The OUTPUTS CONNECTED LEDs flash to indicate the current EDID used: 1 or 2, or both if the default EDID is currently used.
- Press the EDID SETUP button again to enter the EDID read mode and then press repeatedly to cycle through the EDID source options until the desired EDID source is reached: OUT 1 -> OUT 2 -> both LEDs flash (for a default EDID).
- Wait a few seconds for the **VM-2DT** to read the EDID.  
When complete, all LEDs return to display the present output connection status.

## Technical Specifications

Input:	1 HDBT connector
Outputs:	2 HDBT connectors
Max. Resolution:	4K@60Hz 4:2:0
Max. Data Rate:	10.2Gbps (3.4Gbps per graphic channel)
Compliance:	Supports HDMI 2.0 and HDCP 1.4
Controls:	EDID Setup button; Indicator LEDs: OUTPUTS 1 and 2, LINK 1 and 2, active input, power on
Operating Conditions:	Operating Temperature: 0° to +40°C (32° to 104°F); Storage Temperature: -40° to +70°C (-40° to 158°F); Humidity: 10% to 90%, RHL non-condensing
Power:	Power Source: 5.2V/4A; Power Consumption: 5V DC, 2.5A
Dimensions (W, D, H):	18.8 x 11.5 x 2.54cm (7.4 x 4.53 x 1"); Shipping Dimensions: 34.5 x 16.5 x 5.2 (13.6 x 6.5 x 2.05")
Weight:	0.53kg (1.17lb); Shipping Weight: 1.29kg (2.84lb)
Included Accessories:	Power supply
Options:	RK-T2B 19" rack adapter, Kramer HDBT cables

Specifications are subject to change without notice at [www.kramerav.com](http://www.kramerav.com)