

The Kramer T-TBLANK TOOL Blank

Congratulations on purchasing your Kramer **T-TBLANK TOOL** blank, suitable for the Kramer **T1AF-1T3L** and **T1AF-14T** inner frames for the **TBUS-1AxI** Table Connection bus.

The **T-TBLANK TOOL** Blank kit includes mounting screws.

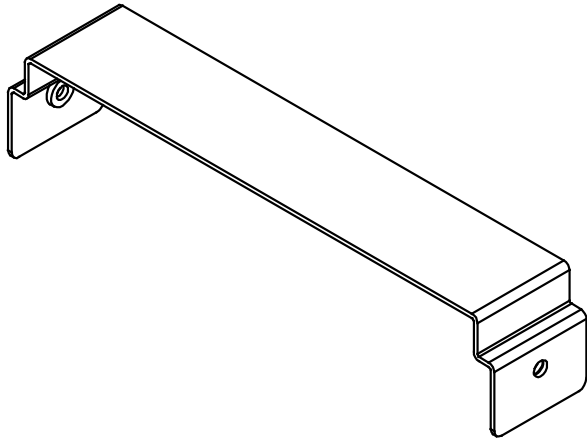


Figure 1: T-TBLANK TOOL Blank (P/N: 80-005099)

Installing the T-TBLANK TOOL Blank

To install the **T-TBLANK TOOL** Blank, as shown in [Figure 2](#):

1. Insert the **T-TBLANK** from beneath, through the TOOL opening.
2. Tighten the screws (one on each side) through the TBUS enclosure.

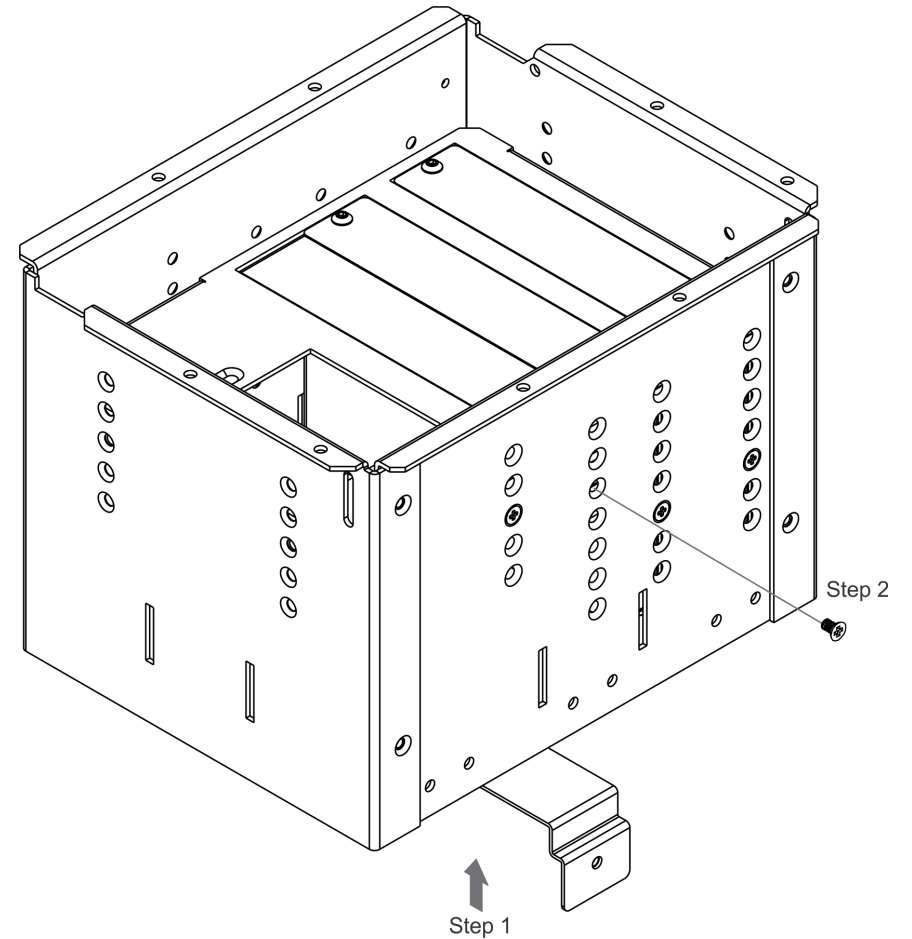


Figure 2: Installing the T-TBLANK TOOL Blank



KRAMER ELECTRONICS LTD.

Installation Instructions

MODEL:

T-TBLANK
TOOL Blank

For the latest information on our products and a list of Kramer distributors, visit our Web site where updates to this user manual may be found.

We welcome your questions, comments, and feedback.

Web site: www.kramerelectronics.com

E-mail: info@kramerej.com



SAFETY WARNING

Disconnect the unit from the power supply before opening and servicing

P/N: 2900-300166 Rev 1