



SY-P295

CV/SV to HDMI Converter and Scaler with Audio

OPERATION MANUAL

DISCLAIMERS

The information in this manual has been carefully checked and is believed to be accurate. CYP (UK) Ltd assumes no responsibility for any infringements of patents or other rights of third parties which may result from its use.

CYP (UK) Ltd assumes no responsibility for any inaccuracies that may be contained in this document. CYP (UK) Ltd also makes no commitment to update or to keep current the information contained in this document.

CYP (UK) Ltd reserves the right to make improvements to this document and/or product at any time and without notice.

COPYRIGHT NOTICE

No part of this document may be reproduced, transmitted, transcribed, stored in a retrieval system, or any of its part translated into any language or computer file, in any form or by any means—electronic, mechanical, magnetic, optical, chemical, manual, or otherwise—without express written permission and consent from CYP (UK) Ltd.

© Copyright 2019 by CYP (UK) Ltd.

All Rights Reserved.

Version 1.1

TRADEMARK ACKNOWLEDGMENTS

All products or service names mentioned in this document may be trademarks of the companies with which they are associated.

SAFETY PRECAUTIONS

Please read all instructions before attempting to unpack, install or operate this equipment and before connecting the power supply.

Please keep the following in mind as you unpack and install this equipment:

- Always follow basic safety precautions to reduce the risk of fire, electrical shock and injury to persons.
- To prevent fire or shock hazard, do not expose the unit to rain, moisture or install this product near water.
- Never spill liquid of any kind on or into this product.
- Never push an object of any kind into this product through any openings or empty slots in the unit, as you may damage parts inside the unit.
- Do not attach the power supply cabling to building surfaces.
- Use only the supplied power supply unit (PSU). Do not use the PSU if it is damaged.
- Do not allow anything to rest on the power cabling or allow any weight to be placed upon it or any person walk on it.
- To protect the unit from overheating, do not block any vents or openings in the unit housing that provide ventilation and allow for sufficient space for air to circulate around the unit.

REVISION HISTORY

VERSION NO.	DATE	SUMMARY OF CHANGE
v2.00	17/07/2019	First release

CONTENTS

1. Introduction	6
2. Applications	6
3. Package Contents	6
4. Requirements	6
5. Features	7
6. Operation Controls and Functions	8
6.1 Front Panel	8
6.2 Rear Panel.....	9
6.3 OSD Operation	10
6.4 Reset Functionality	11
7. Connection Diagram	12
8. Specifications	13
8.1 Technical Specifications	13
8.2 Supported Resolutions.....	14
9. Acronyms	15

1. INTRODUCTION

The SY-P295N is designed to scale analogue video signal from a CV or SV source to a digital HDMI output, boasting a wide-range of HDTV and PC resolutions. Audio is combined with HDMI video output. This unit offers a selection of colour space and adjustment to obtain the best picture quality.

2. APPLICATIONS

- /// SD Resolutions scaled to HD Resolutions
- /// Integrate a legacy device into an HDMI system

3. PACKAGE CONTENTS

- /// CV/SV to HDMI 1080p Scaler
- /// 5VDC Power Supply Adaptor
- /// Operation Manual
- /// Stereo Audio Cable (2RCA) x 1
- /// Composite Video Cable X 1

4. REQUIREMENTS

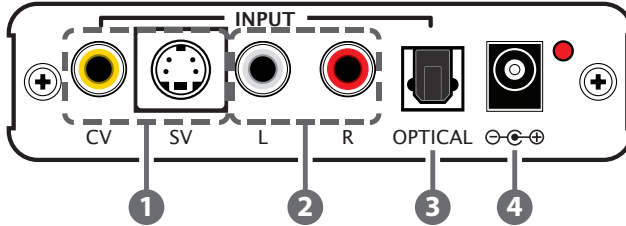
Input source equipment such as VCR or Camcorder (without an HDMI output) and output to HDTV or HD monitor with HDMI connection cables.

5. FEATURES

- /// v1.2 HDMI, HDCP 1.1 and DVI 1.0 compliant
- /// Analogue to HDMI Converter Scaler with Audio
- /// Video Support: Input - PAL & NTSC. Output Resolution Supported:
 - PC: VGA, SVGA, XGA, SXGA, UXGA, WXGA, WSXGA, WUXGA.
 - SD/HD: 480i, 576i, 480p, 576p, 720p, 1080i and 1080p
- /// Audio Support: Analogue Stereo, Digital stereo PCM, and DTS. Simply select from the audio input source, this is then outputted to HDMI, Optical (Toslink), and mini-jack (stereo only) simultaneously.
- /// A comprehensive OSD menu provides picture adjustment on contrast, brightness, hue, saturation, sharpness, RGB (colour tone) level and aspect ratio size
- /// Automatic detection of the connected screens factory setting, matching the resolution and refresh rate, when the NATIVE output is selected

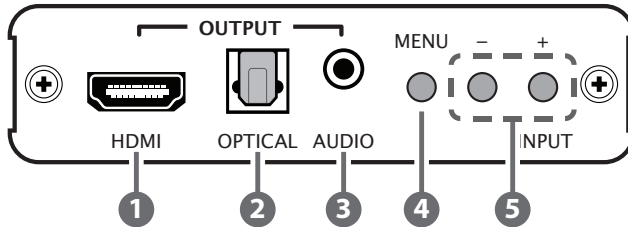
6. OPERATION CONTROLS AND FUNCTIONS

6.1 Front Panel



- 1 **CV/SV Input:** Connect the CV/SV port to the input port of your source equipment such like DVD player.
- 2 **L/R Input:** Connect the analogue audio input port to the output port of your analogue audio equipment.
- 3 **TOSLink (optical fiber) Input:** Connect the optical input port to the digital audio output port of your source equipment.
- 4 **Power:** Plug the 5VDC power supply into the unit and connect the adaptor to AC wall outlet.

6.2 Rear Panel



- 1 HDMI Output:** Connect the HDMI output port to the HDMI input port of your display such like HDTV.
- 2 TosLink (optical fiber) Output:** Connect the optical output port to the digital audio input port of your amplifier.
- 3 Audio Output:** Connect the PC 3.5mm mini-jack output port to the analogue audio input port of your equipment.
- 4 Menu Button:** Press the MENU button to bring up OSD operation menu. (See section "4.3 OSD Operation" for reference.)
- 5 +/- Button:**
 - a. On the first tier of OSD menu, use + and – buttons to move up/down the highlight item for selection.
 - b. Once the desired option is selected, use + and – buttons to toggle between setting values.
 - c. Without OSD menu, press (INPUT) button to switch between CV and SV.

6.3 OSD Operation

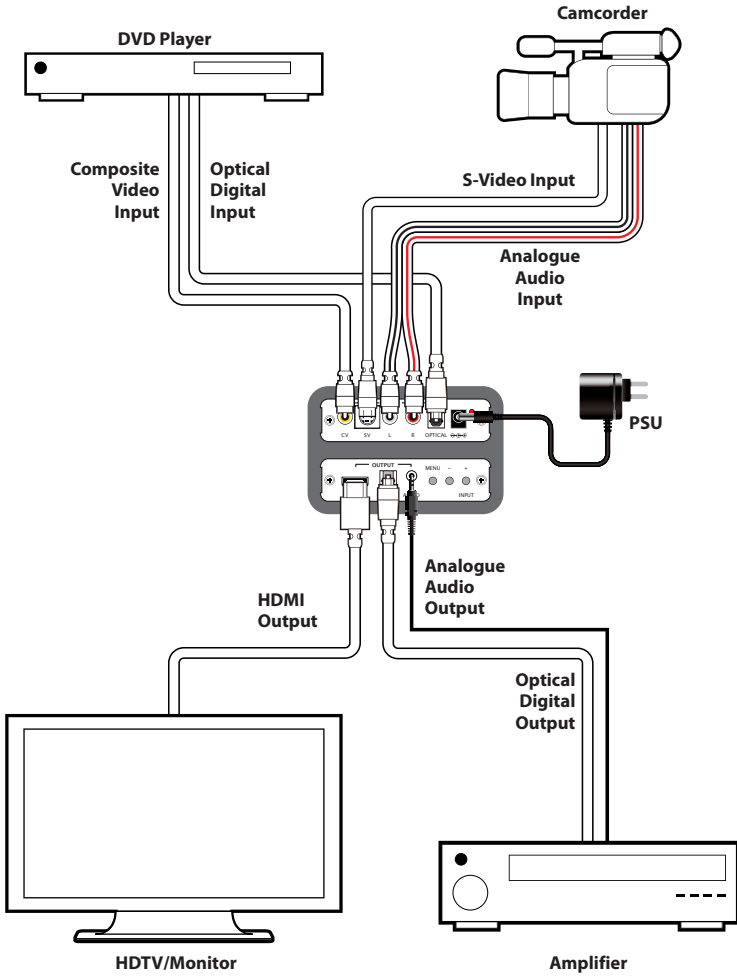
1 st Tier Option	2 nd Tier Option	Adjustment
CONTRAST	-	0 ~ 100 of Contrast Level
BRIGHTNESS	-	0 ~ 100 of Brightness Level
FINETUNE	- HUE	0 ~ 100 of Hue Level
	- SATURATION	0 ~ 100 of Saturation Level
	- SHARPNESS	0 ~ 100 of Sharpness Level
	- EXIT	Back to 1st Tier
COLOR	- RED	0 ~ 100 of Red Colour Level
	- GREEN	0 ~ 100 of Green Colour Level
	- BLUE	0 ~ 100 of Blue Color Level
	- EXIT	Back to 1st Tier
SIZE	-	FULL / OVERSCAN / UNDERSCAN / LETTERBOX / PANSCAN
OUTPUT	-	NATIVE / VGA / SVGA / XGA / SXGA / UXGA / 480i / 480p / 720p@60Hz / 1080i@60Hz / 1080p@60Hz / 576i / 576p / 720p@50Hz / 1080i@50Hz / 1080p@50Hz / WXGA / WSXGA / WUXGA
AUDIO	-	EAR PHONE / OPTICAL
OSD	- HPOSITION	0 ~ 100 of OSD Horizontal Position
	- VPOSITION	0 ~ 100 of OSD Vertical Position
	- TIMER	0 ~ 100 of OSD Existing Time (sec.)
	- BACKGROUND	0 ~ 100 of OSD Transparent Level
	- EXIT	Back to 1st Tier

1 st Tier Option	2 nd Tier Option	Adjustment
INFORMATION	-	SOURCE (Input Interface)
		INPUT (Input Resolution)
		OUTPUT (Output Resolution)
		VERSION (Firmware Version)
EXIT	-	Close OSD Menu

6.4 Reset Functionality

To reset the unit, press and hold the MENU button while plugging the DC power into the unit to set the it back to factory default, with output resolution as NATIVE. This feature is also useful when no picture is shown as the output is scaled to a resolution not supported by the connected TV/monitor, the standard NATIVE resolution should allow a picture to be seen.

7. CONNECTION DIAGRAM



8. SPECIFICATIONS

8.1 Technical Specifications

Input ports	1 x CV/SV, 1 x R/L, 1 x TOSLink (optical fiber)
Output ports	1 x HDMI, 1 x 3.5mm Phone Jack, 1 x TOSLink (optical fiber)
Power Supply	5V/2.6A DC (US/EU standards, CE/FCC/UL certified)
Remote Control	Discrete IR remote
Dimensions	102 mm (W) x 187 mm (D) x 25 mm (H)
Weight	405 g
Chassis Material	Aluminum
Silkscreen Colour	Silver
Operating Temperature	0 °C ~ 40 °C

8.2 Supported Resolutions

	CV/SV INPUT	HDMI OUTPUT	
	SD	SD/HD	PC
480i/576i (NTSC/PAL)	✓	✓	
480p/576p		✓	
720p@(50/60)		✓	
1080i@(25/30)		✓	
1080p@(50/60)		✓	
VGA@(60/72/75/85)			✓
SVGA@(56/60/72/75/85)			✓
XGA@(60/70/75/85)			✓
SXGA@(60/75/85)			✓
UXGA@60			✓
WXGA@60(1280x800)			✓
WSXGA@60(1680x1050)			✓
WUXGA@60(1920x1200)			✓

9. ACRONYMS

ACRONYM	COMPLETE TERM
CV	Composite Video
HDMI	High-Definition Multimedia Interface
OSD	On-screen Display
SV	S-Video
VGA	Video Graphics Array
WUXGA	Wide Ultra Extended Graphics Array



CYP (UK) Ltd., Unit 7, Shepperton Business Park, Govett Avenue, Shepperton,
Middlesex, TW17 8BA

Tel: +44 (0) 20 3137 9180 | Fax: +44 (0) 20 3137 6279

Email: sales@cypeurope.com

www.cypeurope.com

v2.00