

E-series portable and easy to use projectors

VPL-EW345, VPL-EW348, VPL-EW315,
VPL-EX315 & VPL-EX345

Bright, energy efficient projectors for corporate and education.



At a glance

- 3,800 - 4,200 lumens of colour brightness
- High quality WXGA and XGA resolution
- Long lasting lamp life up to 10,000 hours*
- Energy efficient functions

Key Features

- BrightEra 3LCD projection
- Stylish and easy to use
- User friendly features for simple set-up and control.
- Simple installation with HDBaseT**

Bring content to life with our portable and energy-efficient E-series projectors.

Featuring great picture quality with smart eco features to drive down ownership costs, these wireless-ready projectors are ideal for maximising interaction and involvement in today's networked classrooms and meeting rooms.

Simple to set up and easy to use, they're a perfect partner throughout busy presentation schedules.

* In low mode. Varies depending on the environment or how the projector is used.

** VPL-EW348 only.

VPL-EW348

4,200 lumens WXGA
high brightness
compact projector
with HDBaseT.



Sony's 3LCD BrightEra panel technology assures clear, high contrast pictures in virtually any conditions. Three brightness modes allow presenters to tailor light levels to suit different requirements, from sharing presentations in daylight to watching video content in darkened rooms. Plus, new colour/white balance mode ensures clearer text and brighter white colour is achieved.

Plenty of interfaces allow easy connection, while a choice of Picture Modes optimises viewing with any source, whether you're viewing video, documents or websites. And with extended lamp life up to 10,000 hours, downtime and maintenance costs are minimised.

Add an optional Wi-Fi module to enable presenters and audiences to wirelessly share content from PC, Mac or mobile devices.



Key features

Vertical Keystone Adjustment

The projectors can correct keystone distortion by +/- 30% for perfect installation adjustment to the screen.

(Note that since this is an electronic correction, it will reduce the picture quality slightly.)

Digital Zoom

With Digital Zoom, presenters can enlarge a selected area of a computer-sourced image on the screen up to four times.

Six Picture Modes

All the projectors within the E-series family have six available picture modes for optimum picture quality; Dynamic, Standard, Game, Blackboard, Cinema and Presentation. Combined with 3 brightness modes, presenters can select the most suitable modes according to the picture source and environment.

3LCD BrightEra Technology

The Sony BrightEra 3LCD panels deliver improved light resistance, increased panel reliability and higher resolution and brightness.

Smart APA (Auto Pixel Alignment)

When a computer is used as a picture source, APA automatically optimises Phase, Pitch and Shift values. These can also be adjusted manually.

Powerful 16W audio

The powerful built-in 16W speaker (mono) lets your audience hear video soundtracks with no need for additional amplification.

Picture Muting/Audio Muting

If there is a need to blackout the image or turn off the audio from the projector, all it takes is a single button-press on the remote control. One button will mute audio and image at the same time, or press the separate "mute audio" button for audio-only muting.

Customised input naming labels

Define your own input labels such as 'BD Player', 'PC' and 'Document Camera', making it easier to see on screen what devices are connected and being used.

Dual HDMI input

Expand your connectivity options with dual HDMI ports and Direct USB Display connection.

Direct Power On/Off

With this function, there is no need to go through 'Standby' mode when powering up the projector. The projector can be set to activate as soon as power is supplied.

Built-in Security Measures

The E-series projectors have a package of security measures, including password protection and physical anti-theft anchor points.

Optional Wi-Fi

Add the optional IFU-WLM3 USB wireless module and connect with other devices, from PC, Mac and mobile devices.



Other Features

WXGA Resolution

The VPL-EW348, VPL-EW345 and VPL-EW315 have a native WXGA (1280 x 800) 16:10 screen resolution panel, perfect for presentations direct from a laptop or PC/Mac.

XGA Resolution

The VPL-EX345 and VPL-EX315, feature a native XGA (1024 x 768) 4:3 screen resolution panel, for the same great flexible presentation options.

Up to 10,000 Hours Lamp Life

Reduce lamp replacements and associated maintenance time and costs with longer lamp life.

Filter Cleaning Cycle at the same time as lamp

The filter only needs to be changed when a new lamp is fitted, potentially halving disruption due to maintenance.

Stylish and quiet design

New reduced noise makes the projector fit seamlessly into any environment, keeping the focus always on the presentation.

Energy efficient features

Eco Mode

Presenters can easily select power-saving eco modes, with the most energy-efficient mode accessible through a single button-press, with further adjustments available through the menu.

Eco Picture Mute - (Instant Off/Instant On)

The new eco Picture Mute feature reduces power consumption down to 30%, saving costs and lamp hours. There is no need to waste time by powering completely off and turning back on, which is a significant problem with projectors in any environment.

Auto Dimming Mode

The new E-series projectors automatically adjust brightness depending on the image. The darker the image, the less energy used by the lamp.

(Maximum 70% lamp power reduction based on the image.)

Eco Lamp Dimming

When this feature is selected, these projectors can reduce power consumption and brightness by 10-15%. After a user pre-set time, the brightness and power consumption will reduce to 30% power usage, with instant 100% brightness returning as soon as a new signal input is detected.

Eco Gauge

When the projector is shut down, an eco achievement indication (gauge) appears to show the presenter how well they have used the projector. The more eco features that have been used, the better the eco green leaf mark.

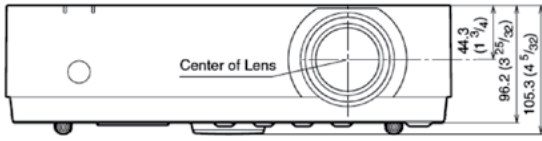
(Calculated by the use of ECO functions and actual lamp wattage.)



Dimensions



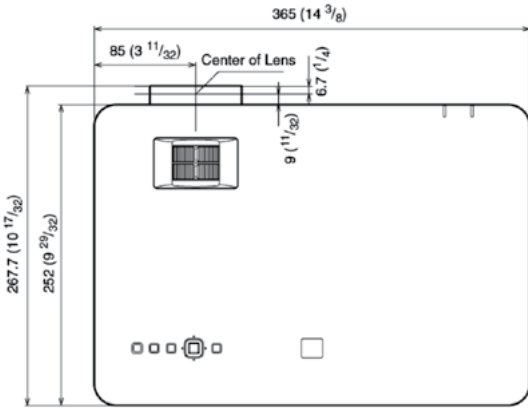
FRONT



Unit: mm (inches)

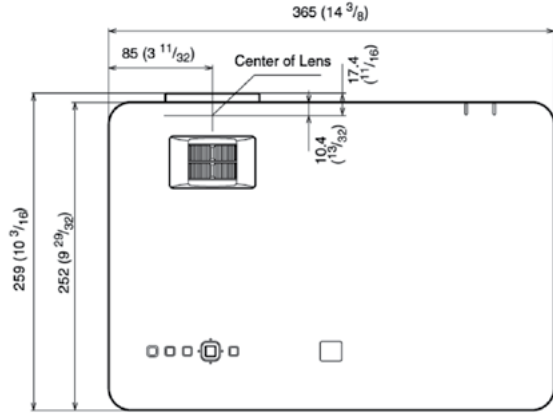
TOP

VPL-EW348, VPL-EW345 and VPL-EW315



Unit: mm (inches)

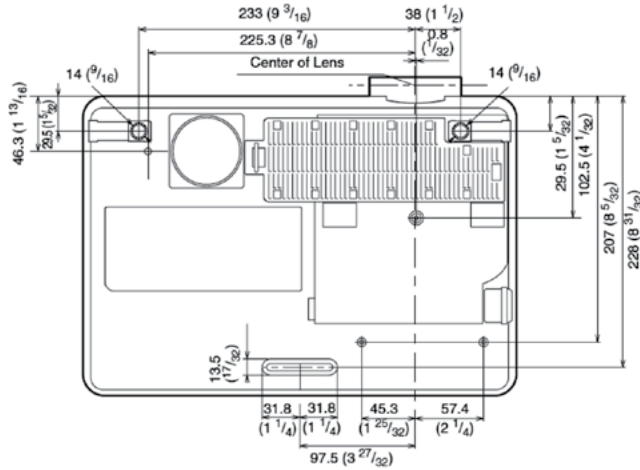
VPL-EX345, and VPL-EX315



Unit: mm (inches)

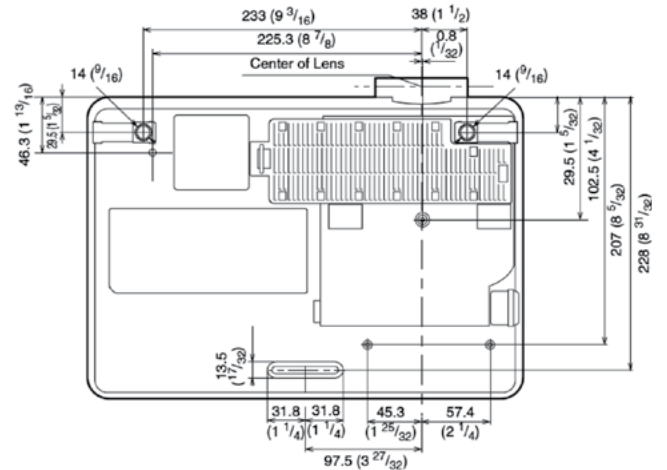
BOTTOM

VPL-EW348, VPL-EW345 and VPL-EW315



Unit: mm (inches)

VPL-EX345, and VPL-EX315



Unit: mm (inches)

Optional Accessories



IFU-WLM3
USB wireless module



LMP-E221
Replacement Projector Lamp



PAM-210
Ceiling mount



PAM-0.5M
Extension Poles



PAM-1.0M
Extension Poles



PAM-1.5M
Extension Poles

Specifications

		VPL-EX315	VPL-EX345	VPL-EW315	VPL-EW345	VPL-EW348
Display system		3 LCD system				
Display device	Size of effective display area	0.63" (16 mm) x 3 BrightEra LCD Panel, Aspect ratio: 4:3		0.75" (19mm) x 3 BrightEra LCD Panel Aspect 0.75" (19mm) x 3 BrightEra LCD Panel Aspect ratio 16:10 ratio 16:10		
	Number of pixels	2,359,296 (1024x768 x 3) pixels		3,072,000 (1280x800 x 3) pixels		
Projection lens	Zoom (Manual)	X1.6				
	Focus	Manual				
	Digital Zoom	X4				
	Throw Ratio	1.40 to 2.27:1		1.10 to 1.79:1		
	Light source	Ultra high pressure mercury lamp				
	Lamp Wattage	225W				
	Recommended lamp replacement time	4000 H / 6000 H / 10000 H (Lamp mode: High / Standard / Low)				
	Filter cleaning cycle	Max: 10000H (Same time as the lamp replacement is recommended)				
	Screen size	30" to 300" (0.76 m to 7.62 m)				
	Light output (Lamp mode: High / Standard / Low)	3800 / 3000 / 2500 lm	4200 / 3200 / 2500 lm	3800 / 3000 / 2500 lm	4200 / 3200 / 2500 lm	
Color light output (Lamp mode: High / Standard / Low)	3800 / 3000 / 2500 lm	4200 / 3200 / 2500 lm	3800 / 3000 / 2500 lm	4200 / 3200 / 2500 lm		
Contrast ratio (full white / full black)	3300:1		3700:1			
Speaker	16W x1 (monaural)					
Displayable scanning frequency	Horizontal	15 kHz to 92 kHz				
	Vertical	48 Hz to 92 Hz				
Display resolution	Computer signal input	Maximum display resolution: 1920 x 1200 dots fV:60Hz				
	Video signal input	NTSC, PAL, SECAM, 480/60i, 576/50i, 480/60p, 576/50p, 720/60p, 720/50p, 1080/60i, 1080/50i The following items are available for digital signal (HDMI input) only; 1080/60P, 1080/50p, 1080/24p, 3840 x 2160/24p, 3840 x 2160/25p, 3840 x 2160/30p, 4096 x 2160/24p				
	Color system	NTSC3.58, PAL, SECAM, NTSC4.43, PAL-M, PAL-N, PAL60				
	Keystone correction	Vertical: Max. +/-30 degrees		Vertical: Max. +/-20 degrees		
	OSD language	27 Languages (English, French, German, Italian, Spanish, Portuguese, Japanese, Simplified Chinese, Traditional Chinese, Korean, Russian, Dutch, Norwegian, Swedish, Thai, Arabic, Turkish, Polish, Vietnamese, Farsi, Finnish, Indonesian, Hungary, Greek, Czech, Slovakia, Romania)				
Computer and video signal input/output	INPUT A	RGB / Y PB PR input connector: Mini D-sub 15 pin female, Audio input connector: Stereo mini jack				
	INPUT B	RGB input connector: Mini D-sub 15 pin female, Audio input connector: Stereo mini jack				
	INPUT C	HDMI input connector: HDMI 19-pin, HDCP support, Audio input connector: HDMI audio support				
	INPUT D	HDMI input connector: HDMI 19-pin, HDCP support, Audio input connector: HDMI audio support				
	VIDEO IN	Video input connector: Phono jack				
	S VIDEO IN	S Video input connector: Mini DIN 4-pin				
	MONITOR OUT	Mini D-sub 15 pin female				
	AUDIO OUT	Stereo mini				
	REMOTE	RS232C connector: D-sub 9-pin (male)				
	LAN	RJ-45, 10BASE-T/100BASE-TX				RJ45, 100BASE-TX (Shared with HDBaseT)
USB	Type A, Type B					
Microphone	Microphone input: mini jack					
Acoustic Noise		29dB Lamp Mode (low)				
Operating temperature (Operating humidity)		0°C to 40°C (32°F to 104°F)/20-80% (no condensation)				
Storage temperature (Storage humidity)		10 °C to +60°C (-4°F to +140°F) / 20% to 80% (no condensation)				
Power requirements (Approx)		AC 100 V to 240 V, 3.2 A to 1.4 A, 50 Hz / 60 Hz	AC 100 V to 240 V, 3.4 A to 1.5 A, 50 Hz / 60 Hz	AC 100 V to 240 V, 3.1 A to 1.4 A, 50 Hz / 60 Hz	AC 100 V to 240 V, 3.4 A to 1.5 A, 50 Hz / 60 Hz	AC 100 V to 240 V, 3.5 A to 1.5 A, 50 Hz / 60 Hz
Power consumption (High / Standard / Low)	AC 100 V to 120 V	314W / 261W / 233W	336W / 270W / 233W	310W / 259W / 230W	334W / 271W / 233W	341W / 277W / 240W
	AC 120 V to 240 V	304W / 254W / 227W	324W / 262W / 227W	300W / 252W / 226W	322W / 263W / 227W	329W / 269W / 234W
Standby mode power consumption	AC 100 V to 120 V AC 220 V to 240 V	0.5W (Standby Mode: Standard / Low)				
Standby mode / Network Standby Mode Activated	AC 100 V to 120 V	5.3 W (LAN), 5.7 W (optional WLAN module) 6.0 W (All Terminals and Networks Connected) When "Standby Mode" is set to Standard				
	AC 220 V to 240 V	5.5 W (LAN), 6.0 W (optional WLAN module) 6.3 W (All Terminals and Networks Connected) When "Standby Mode" is set to Standard				
Heat dissipation	AC 100 V to 120 V	1071 BTU	1146 BTU	1058 BTU	1139 BTU	1163 BTU
	AC 220 V to 240 V	1037 BTU	1105 BTU	1023 BTU	1099 BTU	1122 BTU
Standard outside dimensions (Approx)		365 x 105.3 x 259mm (With Protrusion) 365 x 96.2 x 252 mm (Without protrusion)		365 x 105.3 x 267.7mm (With Protrusion) 365 x 96.2 x 252 mm (Without protrusion)		
Mass (Approx)		4 kg (8 lb 13 oz)			4.1kg (9 lb 1 oz)	
Supplied Accessories		Remote Commander (1), CR2025, Lithium Battery (1), HD15pin cable (1), Operating Instructions CD-ROM (1), AC Power Cord, WEEE, EU Battery Info, Service Documentation, Quick Reference Manual (1) Safety Regulation, Application Software (CD-ROM)				
Optional Accessories		IFU-WLM3 USB wireless module, LMP-E221 Optional Lamp, PAM-210 Ceiling mount, PAM-0.5M Extension Pole, PAM-1.0M Extension Pole, PAM-1.5M Extension Pole				

Distributed by



© 2015 Sony Corporation. All rights reserved. Reproduction in whole or in part without permission is prohibited. Features and specifications are subject to change without notice. All non-metric weights and measurements are approximate. "Sony" and "BrightEra" are registered trademarks or trademarks of Sony Corporation. All other trademarks are the property of their respective owners.

For full information please see pro.sony.eu/projectors-desktop

Sony is the leading supplier of AV/IT solutions to businesses across a wide variety of sectors including, Media and Broadcast, Video Security, Medical, Digital Cinema and Displays. It delivers products, systems and applications to enable the creation, manipulation and distribution of digital audio-visual content that add value to businesses and their customers. With over 25 years' experience in delivering innovative market-leading products, Sony is ideally placed to deliver exceptional quality and value to its customers. Collaborating with a network of established technology partners, Sony delivers end-to-end solutions that address the customer's needs, integrating software and systems to achieve each organisation's individual business goals. For more information please visit www.pro.sony.eu

Follow us on Twitter at [@SonyProEurope](https://twitter.com/SonyProEurope) / www.twitter.com/sonyproeurope

SONY