



Scan for full manual

VM-4DKT Quick Start Guide

This guide HELPS you install and use your VM-4DKT for the first time.

Go to www.kramerav.com/downloads/VM-4DKT to download the latest user manual and check if firmware upgrades are available.

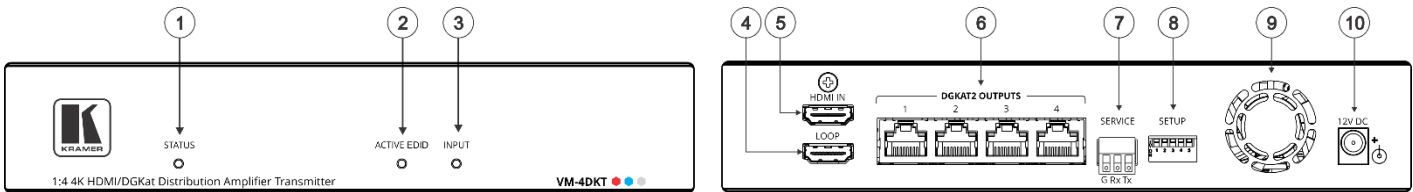
Step 1: Check what's in the box

- VM-4DKT 1:4 4K HDMI/DGKAT Distribution Amplifier Transmitter
- 4 Rubber feet
- 1 Quick start guide
- 1 Power cord and adapter

IMPORTANT NOTICE!

We highly recommend using only Kramer UNIKAT cables with these products. If using 3rd party shielded CAT-6A cables, both ends of the shield must be soldered to the connectors for the products to function properly. Do not use any jumpers, unshielded wall plates or mid-span cable connections. These extenders are not compatible with HDBaseT technologies. Prior to signal extension, ensure that the extension line cable is lying straight and not coiled.

Step 2: Get to know your VM-4DKT



#	Feature	Function
1	STATUS LED	Red – Power up. Green – Power is on.
2	ACTIVE EDID LED	The LED color indicates the active EDID type. When flashing, the state is in the process of being activated. Yellow – Default EDID. Blue – Output-acquired EDID. Green – Custom EDID.
3	INPUT LED	On – Input signal detected. Flashing – Source connected, but no signal detected.
4	HDMI IN Connector	Connect to an HDMI source.
5	LOOP Connector	Connect to a local HDMI display.
6	DGKAT2 OUTPUTS Connectors (x4)	Connect to a DGKat-2.0 receiver (for example, PT-872xr) using twisted pair cable.
7	SERVICE 3-pin terminal block	Connect to a serial controller.
8	SETUP DIP-switches	Sets the device behavior (see Step 6: Operate VM-4DKT).
9	Fan Vent	For heat ventilation.
10	12V DC Power Connector	Connect the 12V DC power adapter into the device and then connect it to the mains.

Step 3: Mount VM-4DKT

Install VM-4DKT using one of the following methods:

- Attach the rubber feet and place the unit on a flat surface.

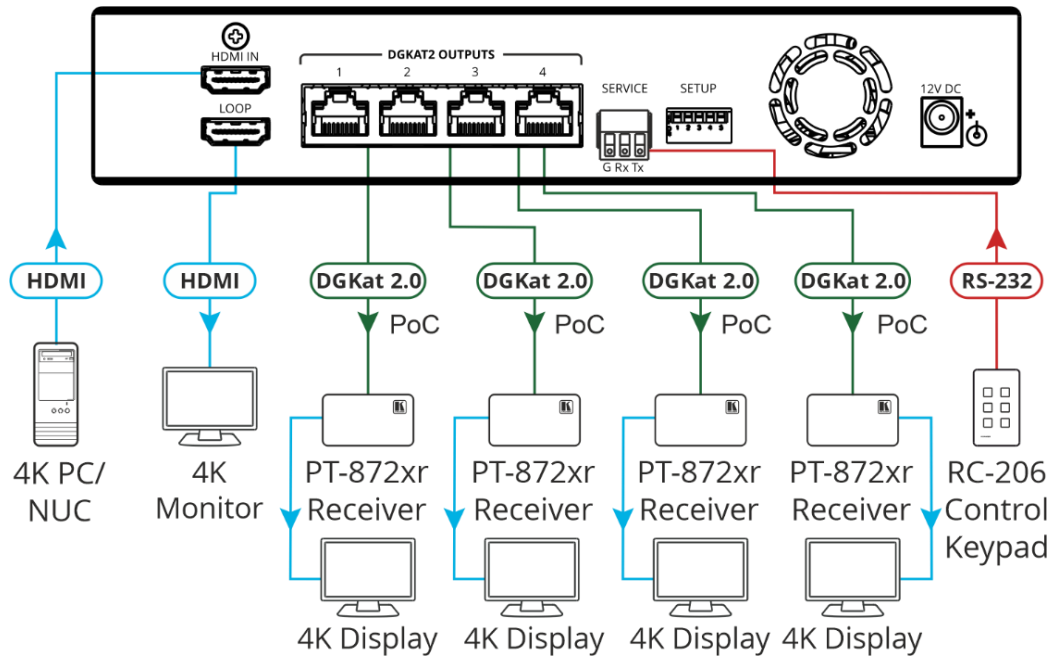


- Ensure that the environment (e.g., maximum ambient temperature & air flow) is compatible for the device.
- Avoid uneven mechanical loading.
- Appropriate consideration of equipment nameplate ratings should be used for avoiding overloading of the circuits.
- Reliable earthing of rack-mounted equipment should be maintained.
- Maximum mounting height for the device is 2 meters.





Step 4: Connect inputs and outputs

Always switch OFF the power on each device before connecting it to your VM-4DKT.

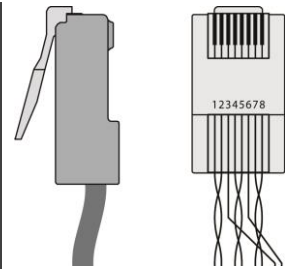


Wiring the RJ-45 Connectors

This section defines the DGKAT pinout, using a straight pin-to-pin cable with RJ-45 connectors.

-  The ground shielding must be connected/soldered to the connector shield.
-  To achieve specified extension distances, use the recommended Kramer cables available at www.kramerav.com/product/VM-4DKT. Using third-party cables may cause damage!

EIA /TIA 568B	
PIN	Wire Color
1	Orange / White
2	Orange
3	Green / White
4	Blue
5	Blue / White
6	Green
7	Brown / White
8	Brown



Step 5: Connect power

Connect the power adapter to the VM-4DKT and then plug it into the mains electricity.

Safety Instructions (See www.kramerav.com for updated safety information)

Caution:

- For products with relay terminals and GPIO ports, please refer to the permitted rating for an external connection, located next to the terminal or in the User Manual.
- There are no operator serviceable parts inside the unit.

Warning:

- Use only the power cord that is supplied with the unit.
- Disconnect the power and unplug the unit from the wall before installing.

Step 6: Operate VM-4DKT

Set the VM-4DKT DIP-switches:

A DIP-switch that is down is on, up is off. Changes to the DIP-switches take effect immediately.

#	Function	Status	Status
1	Active EDID source	ON (down) – Default EDID (default)	OFF (up) – 1st OUT EDID
2	EDID auto-acquire	OFF (up) – Auto-acquire enabled (default)	ON (down) – Auto-acquire disabled
3	Input HDCP appearance	OFF (up) – Active (default)	ON (down) – Inactive
4	Compression setup	OFF (up) – Standard (default)	ON (down) – High
5	RS-232 operation mode	OFF (up) – Normal operation mode (default)	ON (down) – Firmware upgrade mode.

Control the devices:

Operate remotely, by RS-232 serial commands transmitted by PC, or other serial controller.

RS-232 Control / Protocol 3000			
Baud Rate:	115,200	Parity:	None
Data Bits:	8	Command Format:	ASCII
Stop Bits:	1		
Example (get device model name): #model?<cr>			
Factory Default Parameters			
P3K command:	#factory<cr>		