



Digital Projector

# User Manual

LU960ST / LU960 / LU960ST2

V2.00

# Copyright and disclaimer

## Copyright

Copyright 2023 BenQ Corporation. All rights reserved. No part of this publication may be reproduced, transmitted, transcribed, stored in a retrieval system or translated into any language or computer language, in any form or by any means, electronic, mechanical, magnetic, optical, chemical, manual or otherwise, without the prior written permission of BenQ Corporation. All other logos, products, or company names mentioned in this manual may be the registered trademarks or copyrights of their respective companies, and are used for informational purposes only.

## Disclaimer

BenQ Corporation makes no representations or warranties, either expressed or implied, with respect to the contents hereof and specifically disclaims any warranties, merchantability or fitness for any particular purpose. Further, BenQ Corporation reserves the right to revise this publication and to make changes from time to time in the contents hereof without obligation of BenQ Corporation to notify any person of such revision or changes.

This user manual aims to provide the most updated and accurate information to customers, and thus all contents may be modified from time to time without prior notice. Please visit <http://www.benq.com> for the latest version of this manual.

## Statement regarding hyperlinks and third-party websites

BenQ is not responsible for the content of the websites or of similar resources, which are maintained and controlled by third parties, that may be linked from this product. Providing links to those websites or to similar resources does not mean that BenQ makes any warranty or representation to their content by expression or by implication.

Any third party content or service preinstalled in this product is provided "as is". BenQ does not, by expression or by implication, make any warrant to the content or to the services provided by third parties. BenQ does not warrant or guarantee that the content or services provided by third parties are accurate, effective, most up-to-date, legal, or complete. Under no circumstances shall BenQ be liable for the content or services provided by third parties including their negligence. Services provided by third parties may be terminated temporarily or permanently. BenQ does not warrant or guarantee that the any content or services provided by third parties are in good condition at any time, and is not liable for the termination of the said content and services. In addition, BenQ is not involved in any transactions you conduct in the websites or similar resources maintained by third parties.

You should contact the content or service providers for any questions, concerns, or disputes.

# Table of Contents

<b>Copyright and disclaimer .....</b>	<b>2</b>
Copyright.....	2
Disclaimer.....	2
Statement regarding hyperlinks and third-party websites .....	2
<b>Important safety instructions.....</b>	<b>6</b>
<b>General safety instruction .....</b>	<b>6</b>
<b>Notice on laser.....</b>	<b>7</b>
Laser class.....	7
Laser parameters .....	7
Label instruction .....	8
<b>Prepare for installation .....</b>	<b>10</b>
Cooling notice .....	11
<b>Package contents .....</b>	<b>13</b>
Standard packing items .....	13
<b>Introduction.....</b>	<b>14</b>
<b>Projector exterior view.....</b>	<b>14</b>
Front and upper side view .....	14
Rear view .....	14
<b>Controls and functions.....</b>	<b>15</b>
Control panel.....	15
Control terminal .....	16
Remote control.....	17
<b>Installation .....</b>	<b>21</b>
<b>Lens Cap / Lens Lock.....</b>	<b>21</b>
<b>Evaluate for distance by image size .....</b>	<b>21</b>
Obtaining a preferred projected image size .....	21
Projection dimensions.....	21
<b>Adjusting by Lens shift .....</b>	<b>24</b>
Adjusting the vertical image position .....	24
Adjusting the horizontal image position.....	24
Lens shift range diagram.....	24
Adjusting the Zoom/Focus .....	25
<b>Connection .....</b>	<b>26</b>
Before connecting.....	26
Connecting with AV equipment .....	28
Connecting with computer .....	28
Connecting with HDBaseT transmitter .....	29
Connecting with LAN.....	29

## **Operations ..... 30**

<b>Switch on/off the projector</b> .....	<b>30</b>
Connecting the power cord.....	30
Power indicator.....	30
Switch on the projector.....	31
Switch off the projector.....	37

## **Using the menu ..... 38**

<b>Main menu</b> .....	<b>38</b>
<b>Display menu</b> .....	<b>39</b>
Corner Fit menu.....	41
Digital Image Resizing.....	41
Blanking menu.....	42
Native Resolution.....	42
3D menu.....	43
Fast Mode.....	43
<b>Picture menu</b> .....	<b>44</b>
Color Temperature Fine Tuning menu.....	46
3D Color Management menu.....	47
<b>Source menu</b> .....	<b>49</b>
<b>System Setup : Basic menu</b> .....	<b>50</b>
Menu Settings menu.....	51
Operation Settings menu.....	51
<b>System Setup : Advanced menu</b> .....	<b>53</b>
Audio Settings menu.....	55
Light Settings menu.....	56
Security Settings menu.....	56
Standby Settings menu.....	57
Network Settings menu.....	57
<b>Information menu</b> .....	<b>58</b>
<b>Menu structure</b> .....	<b>59</b>

## **Maintenance ..... 64**

<b>Before maintaining the projector</b> .....	<b>64</b>
Care of the projector.....	64
<b>Clean the lens front surface</b> .....	<b>64</b>
<b>Clean the projector case</b> .....	<b>64</b>
<b>LED indicator</b> .....	<b>65</b>
LED Usage.....	65
System message.....	65
Burn-In Messages.....	66
Lamp Error Messages.....	66
Thermal Error Messages.....	66

<b>Troubleshooting .....</b>	<b>68</b>
<b>Troubleshooting.....</b>	<b>68</b>
The projector does not turn on.....	68
No picture.....	68
Blurred image.....	68
Remote control does not work.....	68
The password is incorrect.....	68
<b>Specifications.....</b>	<b>69</b>
<b>Specifications .....</b>	<b>69</b>
<b>Dimensions .....</b>	<b>70</b>
Attaching for ceiling mount .....	70
<b>Appendix.....</b>	<b>71</b>
<b>Timing table .....</b>	<b>71</b>
Support video timing for HDMI input.....	71
Support PC timing for HDMI input.....	72
Support PC timing for PC input.....	74
True 3D Video Compatibility table .....	76
Support HDMI-1 / HDMI-2 timing for HDBaseT input.....	76
<b>RS232 command control .....</b>	<b>77</b>
<b>PJLink .....</b>	<b>84</b>
PJLink protocol .....	84
Control commands.....	84

# Important safety instructions

Your projector is designed and tested to meet the latest standards for safety of information technology equipment. However, to ensure safe use of this product, it is important that you follow the instructions mentioned in this manual and marked on the product.

## General safety instruction

1. Do not look straight at the projector lens during operation. The intense light beam may damage your eyes.
2. Always open the lens shutter or remove the lens cap when the projector light source is on.
3. In some countries, the line voltage is NOT stable. This projector is designed to operate safely within a mains voltage between 100 to 240 volts AC, but could fail if power cuts or surges of  $\pm 10$  volts occur. In areas where the mains voltage may fluctuate or cut out, it is recommended that you connect your projector through a power stabilizer, surge protector or uninterruptible power supply (UPS).
4. Do not block the projection lens with any objects when the projector is under operation as this could cause the objects to become heated and deformed or even cause a fire. To temporarily turn off the light source, press **BLANK** on the remote control.
5. Do not place this product on an unstable cart, stand, or table. The product may fall, sustaining serious damage.
6. Do not attempt to disassemble this projector. There are dangerous high voltages inside which may cause death if you should come into contact with live parts.  
Under no circumstances should you ever undo or remove any other covers. Refer servicing only to suitably qualified professional service personnel.
7. Do not place this projector in any of the following environments.
  - Space that is poorly ventilated or confined. Allow at least 50 cm clearance from walls and free flow of air around the projector.
  - Locations where temperatures may become excessively high, such as the inside of a car with all windows rolled up.
  - Locations where excessive humidity, dust, or cigarette smoke may contaminate optical components, shortening the projector's life span and darkening the image.
  - Locations near fire alarms
  - Locations with an ambient temperature above 40°C / 104°F
  - Locations where the altitudes are higher than 3000 m (10000 feet).
8. Do not block the ventilation holes.
  - Do not place this projector on a blanket, bedding or any other soft surface.
  - Do not cover this projector with a cloth or any other item.
  - Do not place inflammables near the projector.

If the ventilation holes are seriously obstructed, overheating inside the projector may result in a fire.

9. Do not step on the projector or place any objects upon it. Besides probable physical damage to the projector, doing so may result in accidents and possible injury.
10. Do not place liquids near or on the projector. Liquids spilled into the projector may cause it to fail. If the projector does become wet, disconnect it from the power supply's wall socket and call BenQ to have the projector serviced.



This equipment has a three-pin grounding-type power plug. Do not remove the grounding pin. As a safety feature, this plug will only fit a grounding-type power outlet. If you are unable to fit the plug into the outlet, contact an electrician.

## Notice on laser

Caution – use of controls or adjustments or performance of procedures other than those specified herein may result in hazardous radiation exposure.

Do not point laser or allow laser light to be directed or reflected toward other people or reflective objects.

Direct or scattered light can be hazardous to eyes and skin.

There is a potential hazard of eye exposure to laser radiation if the included instructions are not followed.

Do not allow to look into the projector beam at any distance from the projector. An adult should supervise the children to prevent exposure risks.

Check that there is no one looking at the lens, when using the remote control for starting the projector.

Do not look at the projected light using optical devices(binoculars, telescopes, magnifying glasses, reflectors, etc).

### Laser class

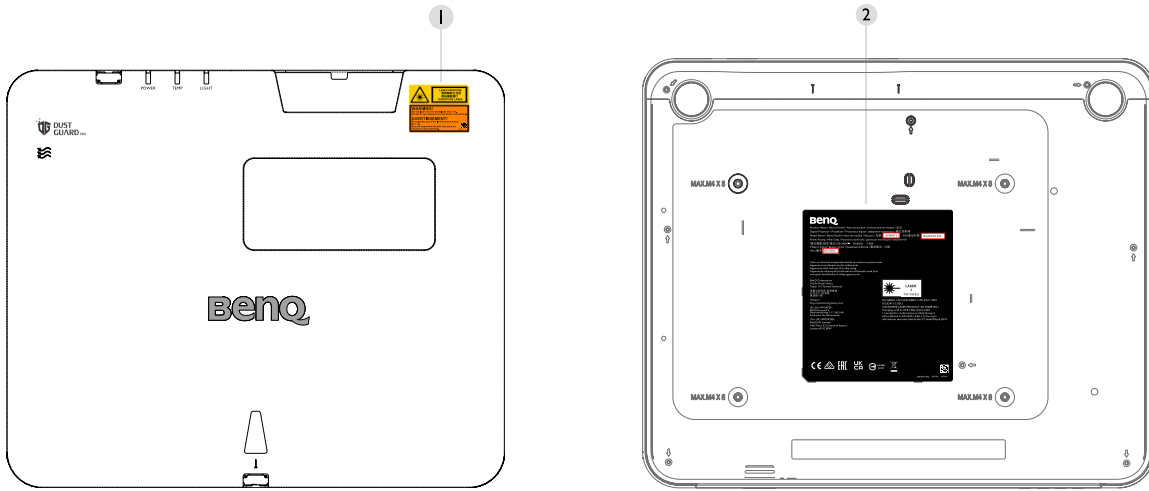
This Laser Product is designated as Class I and CONSUMER LASER PRODUCT: EN 50689:2021 during all procedures of operation and complies with IEC 60825-1:2014 and EN 60825-1:2014/A11:2021.

### Laser parameters

Wavelength	449nm - 461nm (Blue)
Mode of operation	Pulsed, due to frame rate
Pulse width	1.15ms
Pulse repetition rate	120Hz
Maximum laser energy	0.76mj
Total internal power	>100w
Apparent source size	>10mm, at lens stop
Divergence	>100 mili Radian

## Label instruction

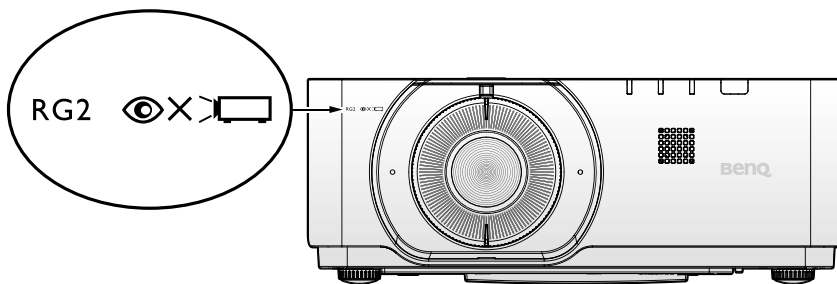
Below drawing show the label's location.



### 1. Laser warning label



### 2. Spec label



### Caution:

As with any bright light source, do not stare into the beam, RG2 IEC 62471-5:2015

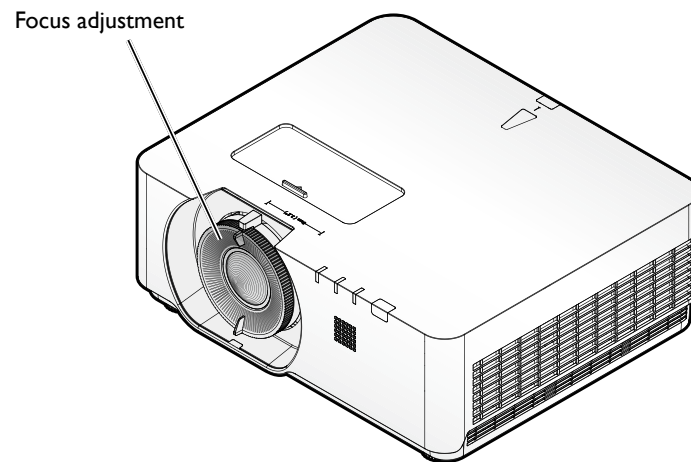
**Possibly hazardous optical radiation emitted from this product.**

**Do not stare at operating light source. May be harmful to the eyes. Prepare for installation**



## Focus adjustment

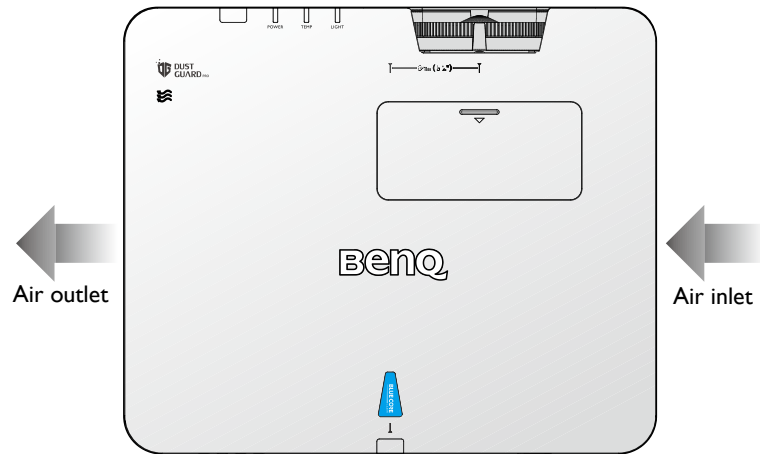
The high clarity projection lens is thermally affected by the light from the light source; thus, the focus is unstable for a short period immediately after the power is turned on. Please wait at least 15 minutes of continuous projection before adjusting the focus.



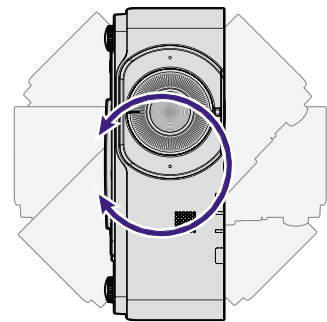
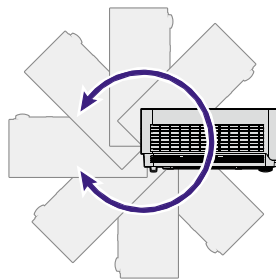
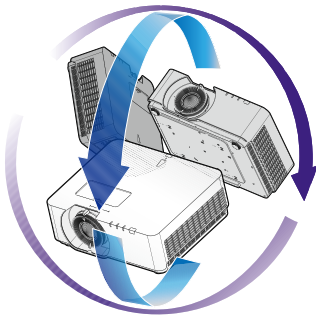
## Cooling notice

Allow at least 50 cm (19.7 inch) for clearance around the exhaust vent. Make sure no objects block air inlet within 50 cm (19.7 inch).

Keep the outlet at least 1 m away from the inlets of other projectors.



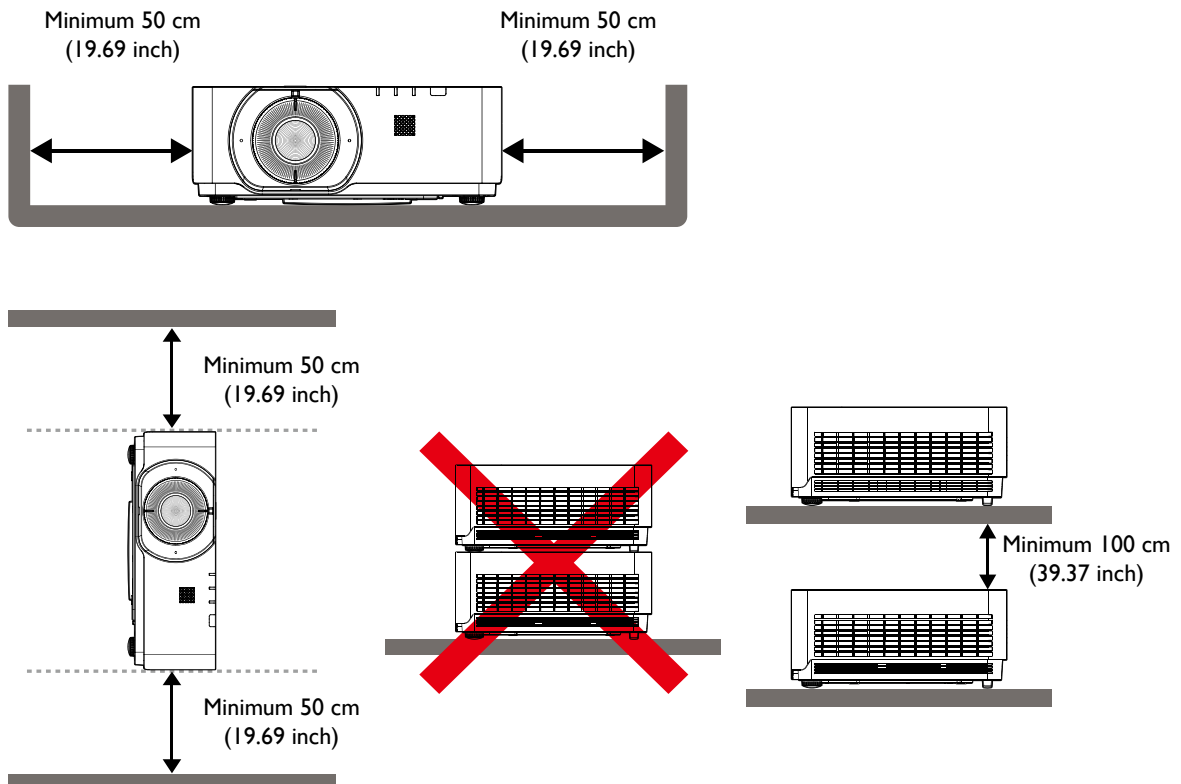
- The projector can be installed at following angles:  
360-degree projection



### ! Caution:

Installation of the projector should be performed carefully. Incomplete or improper installation may cause the projector to fall, resulting in personal injury or property damage.

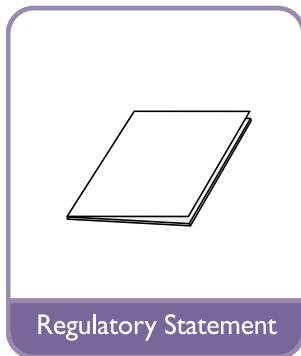
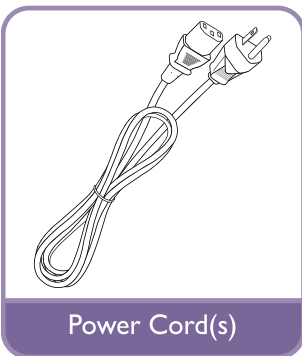
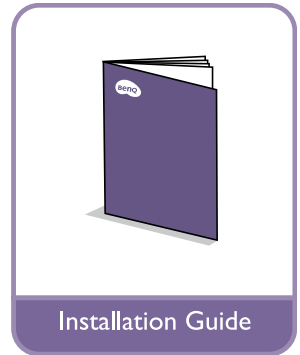
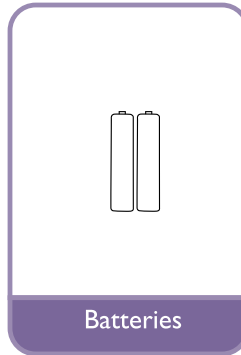
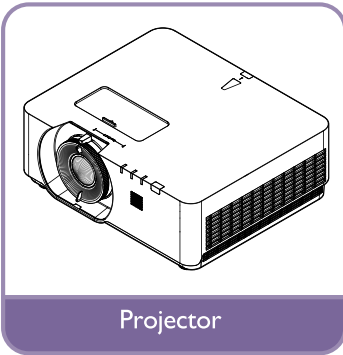
- Allow at least 50 cm of clearance around the exhaust vent.



- Ensure that the air intake vents do not recycle hot air from the exhaust vent.
- When operating in an enclosed space, make sure that the surrounding air temperature does not exceed the projector's operating temperature and that the air intake and exhaust vents are unobstructed.
- All enclosures should pass a certified thermal evaluation to ensure that the projector does not recycle exhaust air. Recycling exhaust air may cause the projector to shutdown even if the ambient temperature is within the acceptable operating temperature range.

# Package contents

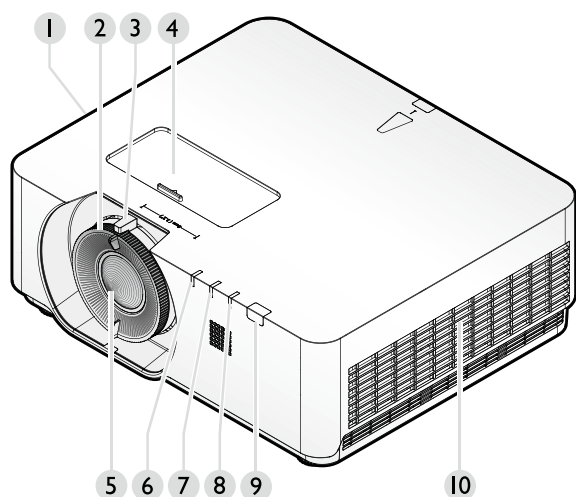
## Standard packing items



# Introduction

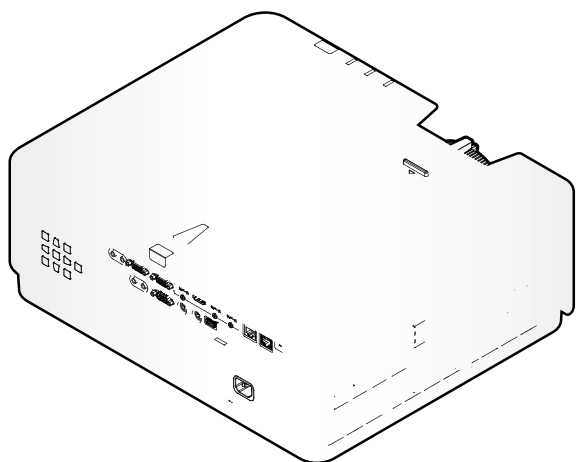
## Projector exterior view

### Front and upper side view



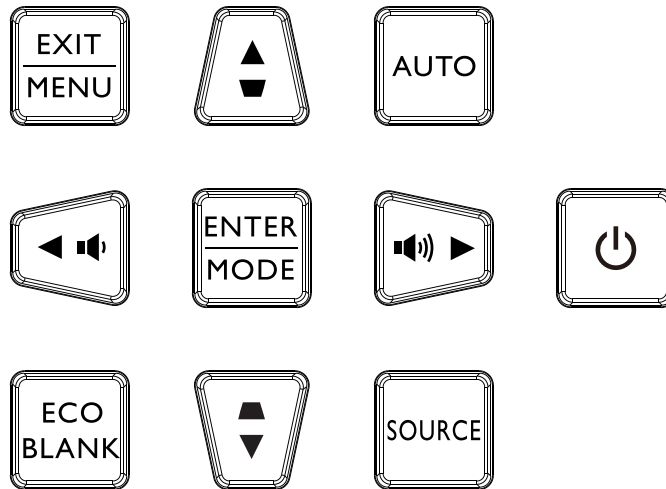
1. Side vent (air inlet)
2. Focus adjustment
3. Zoom (for LU960ST and LU960 only)
4. Len shift
5. Projection lens
6. LIGHT SOURCE indicator light
7. TEMPerature indicator light
8. POWER indicator light
9. Front IR remote sensor
10. Side vent (air outlet)









### Rear view



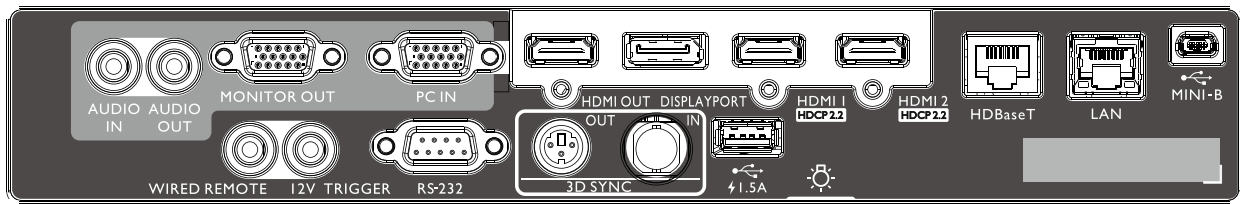
## Controls and functions

### Control panel



- **Power**  
Toggles the projector between standby mode and on. See ["Switch on the projector" on page 30](#) and ["Switch off the projector" on page 36](#) for details.
- **MENU/EXIT**  
Turns on the On-Screen Display (OSD) menu. Goes back to previous OSD menu, exits and saves menu settings. See ["Using the menu" on page 37](#) for details.
- **Volume keys (  ,  )**  
Decreases or increases the projector volume.
- **ECO BLANK**  
The automatic switch to Eco Blank Mode after the projector is turned on for over three minutes without a display source.
- **Arrow keys (  ,  ,  ,  )**  
When the On-Screen Display (OSD) menu is activated, these keys are used as directional arrows to select the desired menu items and to make adjustments. See ["Using the menu" on page 37](#) for details.
- **MODE/ENTER**  
Selects an available picture setup mode.  
Enacts the selected On-Screen Display (OSD) menu item. See ["Using the menu" on page 37](#) for details.
- **Keystone keys (  ,  )**  
Manually corrects distorted images resulting from an angled projection.
- **AUTO**  
Automatically determines the best picture timings for the displayed image. See ["Auto adjusting the image" on page 35](#) for details.
- **SOURCE**  
Displays the source selection bar.

## Control terminal



### MINI-B

Support Mini USB type B for service only.

### LAN

For connection to RJ45 Cat5/Cat6 Ethernet cable to control the projector through a network.

### HDBaseT

For connection to a HDBaseT transmitter via an Ethernet cable (Cat5/Cat6) to input up to 4K 30Hz, RS232 control signal and IR control signal. The HDBaseT port supports RS-232/IR/LAN Control, which can be selected in OSD

### HDMI 2

Connection to HDMI source.

### HDMI 1

Connection to HDMI source.

### DISPLAYPORT

Connection to a Display Port source.

### HDMI OUT

Connection to HDMI device.

### PC IN

15-pin VGA port for connection to RGB, component HD source, or PC.

### MONITER OUT

Connection to other display equipment for concurrent playback display.

### AUDIO OUT

Connection to a speaker amplifier or headset.

### AUDIO IN

Connection to an audio input source via an audio cable.

### REAR LIGHT

Illumination for terminals.

### USB 1.5A

Support 5V/1.5A output.

### 3D SYNC IN

Connect 3D-sync in cable from a computer or an enabled device.

### 3D SYNC OUT

Connection to 3D IR sync signal transmitter.

### RS-232 IN

Standard 9-pin D-sub interface for connection to PC control system and projector maintenance.

### I2V TRIGGER

3.5mm mini earphone jack, employs 200mA display relay to provide 12(+/-1.5)V output and short circuit protection.

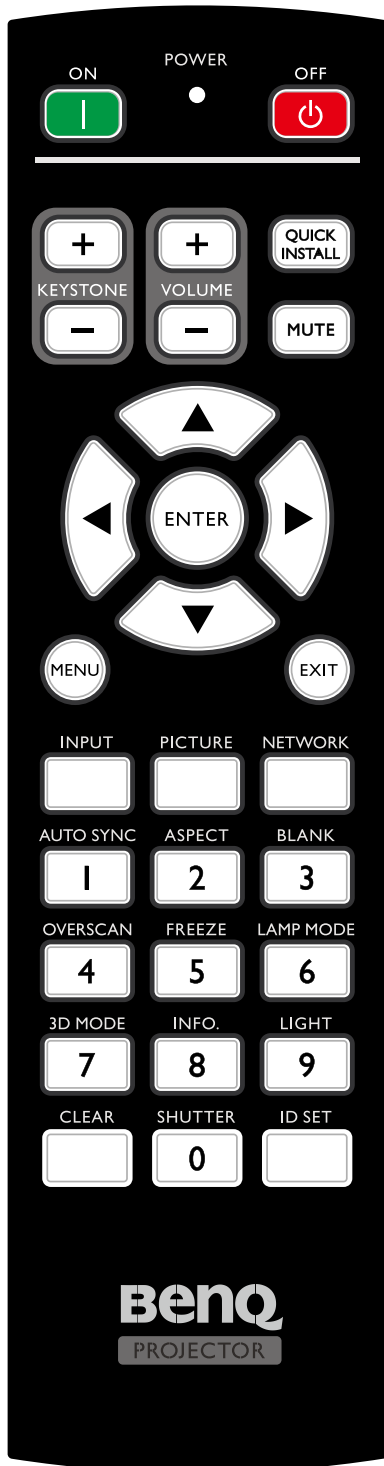
### WIRED REMOTE

Connection to wire remote controller.

### Caution:

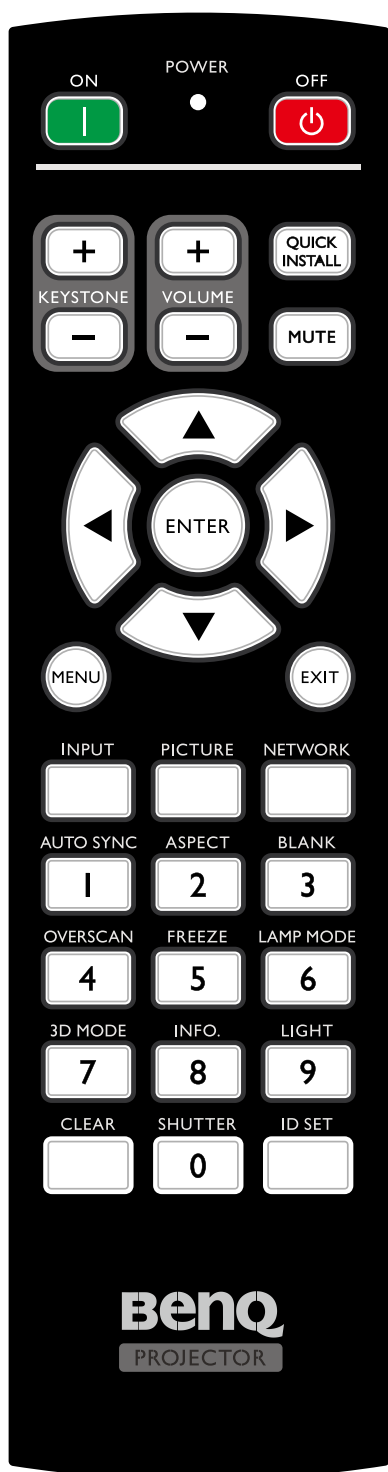
Make sure the port is valid before inserting a wired remote controller. The remote controller may be damaged in case of an invalid port, e.g. a wired remote controller is connected to trigger output. For more information about upgrading firmware via Lan, please contact BenQ service.


## Remote control



- **ON / OFF**  
Toggles the projector between standby mode and on.
- **KEYSTONE+/KEYSTONE-**  
Manually corrects distorted images resulting from an angled projection.
- **VOLUME +/VOLUME -**  
Increases/decreases the projector volume.
- **QUICK INSTALL**  
Displays the **Quick Install** OSD menu.
- **MUTE**  
Toggles projector audio between on and off.
- **Arrow keys (▲ Up, ▼ Down, ◀ Left, ▶ Right)**  
When the On-Screen Display (OSD) menu is activated, the arrow keys are used as directional arrows to select the desired menu items and to make adjustments. See ["Using the menu" on page 37](#) for details.
- **ENTER**  
Selects an available picture setup mode. Activates the selected On-Screen Display (OSD) menu item.
- **MENU**  
Turns on the On-Screen Display (OSD) menu. Goes back to previous OSD menu, exits and saves menu settings.
- **EXIT**  
Goes back to previous OSD menu, exits and saves menu settings.
- **INPUT**  
Selects an input source for display.
- **PCITURE**  
Press to display **Picture** menu.
- **NETWORK**  
Selects Network Display as the input signal source.
- **AUTO SYNC**  
Automatically determines the best picture timings for the displayed image.
- **ASPECT**  
Selects the display aspect ratio.
- **BLANK**  
Used to hide the screen picture.



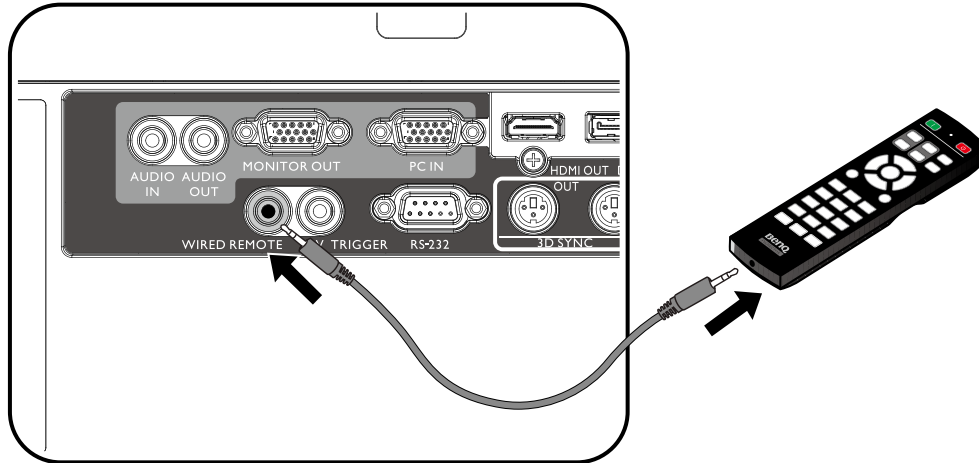


- **OVERSCAN**  
Press to select overscan mode.
  - **FREEZE**  
Freezes the projected image.
  - **LAMP MODE**  
Press to display OSD menu to select desired light mode.
  - **3D MODE**  
Press to display 3D setup menu.
  - **INFO.**  
Press to display INFORMATION menu.
  - **LIGHT**  
Press to open backlight of remote controller.
  - **CLEAR**  
Clear remote ID SET assigned to all projectors. Press **CLEAR** and **ID SET** for five seconds. The LED blinks three times then the ID setting is cleared.
  - **SHUTTER**  
The function is not available on this projector.
  - **ID SET**
    - Remote control ID SET (set the particular remote code)  
Press to set remote ID.  
Press **ID SET** for three seconds. The **POWER** indicator on the remote control blinks, then press 01~99 to designate an ID.
-  **Note:**  
The remote control number (Remote control ID) must match the Projector ID Setting number for accurate control.
- Clear Remote ID SET (set remote code to all)  
Press **CLEAR** and **ID SET** for five seconds. The **POWER** indicator on the remote control blinks a single instance to reset remote code to all, can control projector no matter projector id setting.
  - **Numeric buttons**  
Enters numbers in network settings.  
Numeric buttons 1, 2, 3, 4 cannot be pressed when asked to enter password.
  - **WIRE REMOTE jack**  
Connect to projector for wire remote control.

## Connect with projector

When you use a system with multiple projectors, use commercially available M3 stereo mini jack cables to connect the other projectors via the WIRED REMOTE IN/WIRED REMOTE OUT terminals.

The remote control is effective even in places where obstacles stand in the light path or where devices are susceptible to outside light.



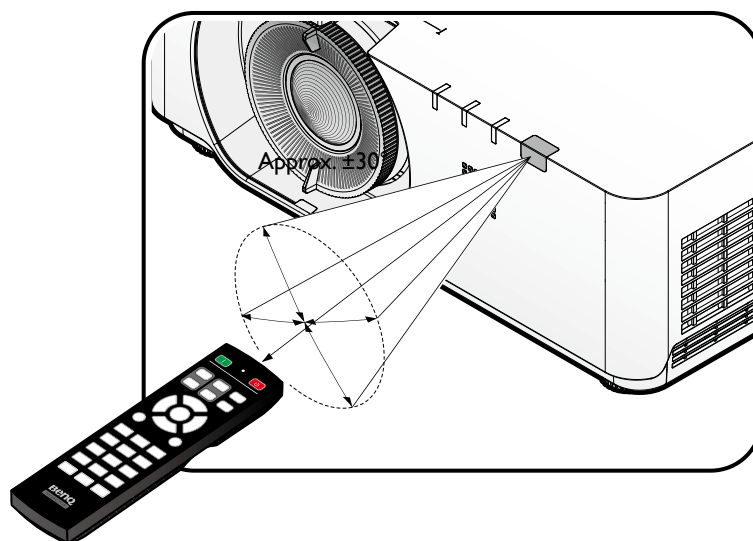
### Note:

Use two core shielded cables no longer than 15 m (49.2 ft). The remote control may not operate when the length of the cable exceeds 15 m (49.2 ft) or when it is not properly shielded.

## Remote control effective range

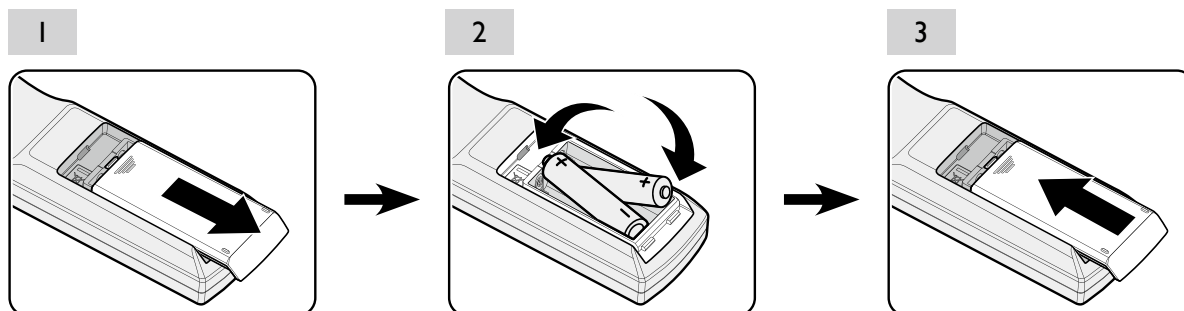
Infra-Red (IR) remote control sensor is located on the front and rear of the projector. The remote control must be held at an angle within 30 degrees perpendicular to the projector's IR remote control sensor to function correctly. The distance between the remote control and the sensor should not exceed 8 meters (~ 26 feet).

Make sure that there are no obstacles between the remote control and the IR sensor on the projector that might obstruct the infra-red beam.



## Replacing the remote control battery

1. To open the battery cover, turn the remote control over to view its back, push on the finger grip on the cover and slide it up in the direction of the arrow as illustrated. The cover will slide off.
2. Remove any existing batteries (if necessary) and install two AA batteries observing the battery polarities as indicated in the base of the battery compartment. Positive (+) goes to positive and negative (-) goes to negative.
3. Refit the cover by aligning it with the base and sliding it back down into position. Stop when it clicks into place.



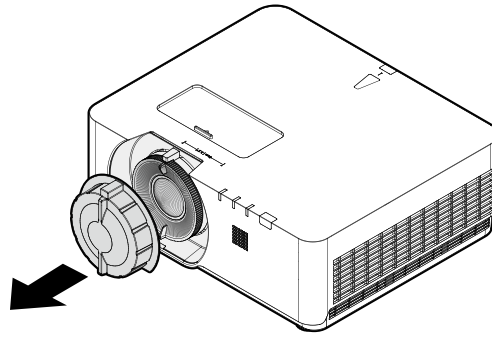
### Caution:

- Avoid excessive heat and humidity.
- There may be battery damage if the battery is incorrectly replaced.
- Replace only with the same or equivalent type recommended by the battery manufacturer.
- Dispose of the used battery according to the battery manufacturer's instructions.
- Never throw a battery into a fire. There may be danger of an explosion.
- If the battery is dead or if you will not be using the remote control for a long time, remove the battery to prevent damage to the remote control from possible battery leakage.

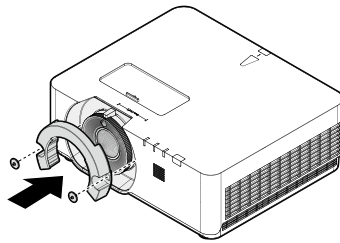
# Installation

## Lens Cap / Lens Lock

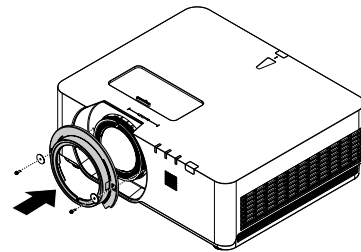
1. Remove lens cap before booting.



2. Install lens lock
3. Secure with screws, do not fully tighten
4. Adjust the focus
5. Tighten the screws



For LU960ST / LU960



For LU960ST2

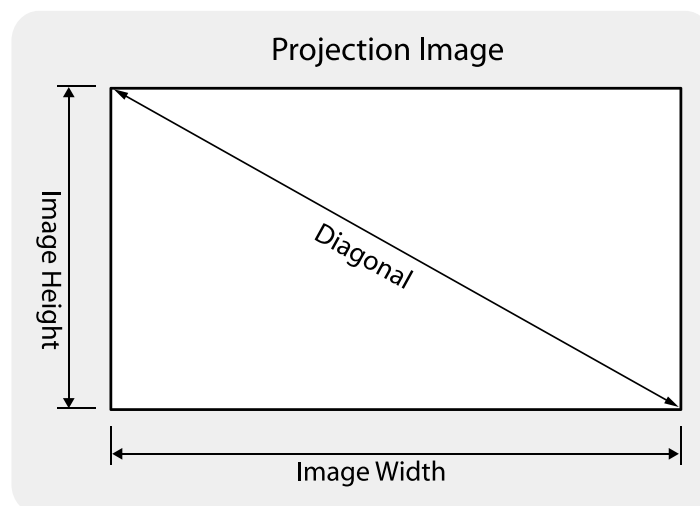
## Evaluate for distance by image size

### Obtaining a preferred projected image size

The distance from the projector lens to the screen, the zoom setting (if available), and the video format each factors in the projected image size.

### Projection dimensions

Refer to "[Dimensions](#)" on [page 69](#) for the center of lens dimensions of this projector before calculating the appropriate position.



- **LU960ST**

The screen aspect ratio is 16:10 and the projected picture is 16:10.

 **Note:**

To optimize the projection quality, we suggest to project image in an area without grayscale.

Image size						Projection Distance					
Diagonal		Width		Height		Min distance - Wide		Average		Max distance - Tele	
Inch	mm	Inch	mm	Inch	mm	Inch	mm	Inch	mm	Inch	mm
60	1524	50.9	1292	31.8	808	39.2	995	41.1	1043	42.9	1091
100	2540	84.8	2154	53.0	1346	65.3	1659	68.4	1738	71.6	1818
130	3302	110.2	2800	68.9	1750	84.9	2156	89.0	2260	93.0	2363
150	3810	127.2	3231	79.5	2019	97.9	2488	102.7	2607	107.4	2727
160	4064	135.7	3446	84.8	2154	104.5	2654	109.5	2781	114.5	2909
170	4318	144.2	3662	90.1	2289	111.0	2819	116.3	2955	121.7	3090
180	4572	152.6	3877	95.4	2423	117.5	2985	123.2	3129	128.8	3272
190	4826	161.1	4092	100.7	2558	124.1	3151	130.0	3303	136.0	3454
200	5080	169.6	4308	106.0	2692	130.6	3317	136.9	3476	143.1	3636
250	6350	212.0	5385	132.5	3365	163.2	4146	171.1	4346	178.9	4545
300	7620	254.4	6462	159.0	4039	195.9	4976	205.3	5215	214.7	5454

- **LU960**

The screen aspect ratio is 16:10 and the projected picture is 16:10.

 **Note:**

To optimize the projection quality, we suggest to project image in an area without grayscale.

Image size						Projection Distance					
Diagonal		Width		Height		Min distance - Wide		Average		Max distance - Tele	
Inch	mm	Inch	mm	Inch	mm	Inch	mm	Inch	mm	Inch	mm
60	1524	50.9	1292	31.8	808	57.3	1456	71.8	1825	86.3	2193
100	2540	84.8	2154	53.0	1346	95.6	2427	119.7	3041	143.9	3655
130	3302	110.2	2800	68.9	1750	124.2	3156	155.7	3954	187.1	4752
150	3810	127.2	3231	79.5	2019	143.4	3641	179.6	4562	215.9	5483
160	4064	135.7	3446	84.8	2154	152.9	3884	191.6	4866	230.2	5848
170	4318	144.2	3662	90.1	2289	162.5	4127	203.6	5170	244.6	6214
180	4572	152.6	3877	95.4	2423	172.0	4369	215.5	5474	259.0	6579
190	4826	161.1	4092	100.7	2558	181.6	4612	227.5	5779	273.4	6945
200	5080	169.6	4308	106.0	2692	191.1	4855	239.5	6083	287.8	7310
250	6350	212.0	5385	132.5	3365	238.9	6069	299.3	7603	359.8	9138
300	7620	254.4	6462	159.0	4039	286.7	7282	359.2	9124	431.7	10966

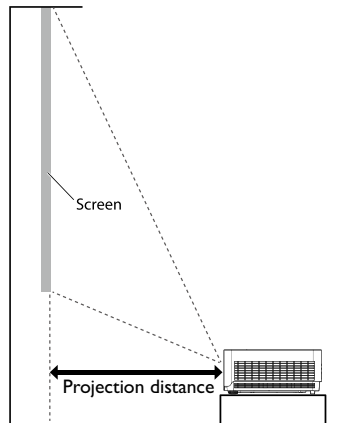
- **LU960ST2**

The screen aspect ratio is 16:10 and the projected picture is 16:10.

 **Note:**

To optimize the projection quality, we suggest to project image in an area without grayscale.

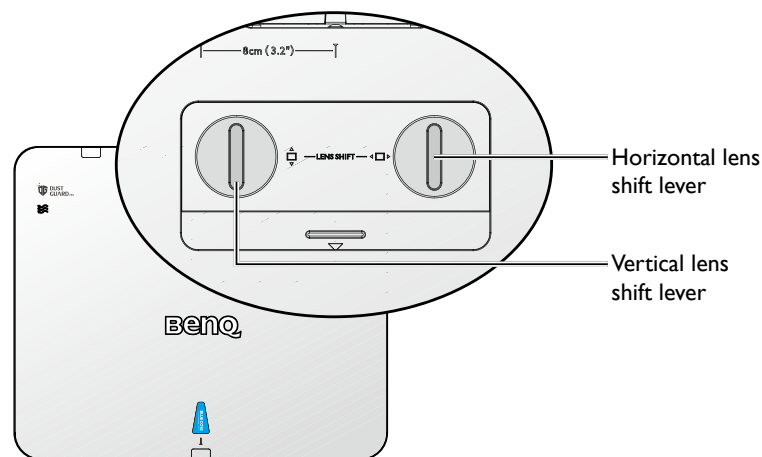
Diagonal		Image size				Projection distance	
		Width		Height			
Inch	mm	Inch	mm	Inch	mm	Inch	mm
85	2159	72.1	1831	45.0	1144	36.0	915
100	2540	84.8	2154	53.0	1346	42.4	1077
130	3302	110.2	2800	68.9	1750	55.1	1400
150	3810	127.2	3231	79.5	2019	63.6	1615
160	4064	135.7	3446	84.8	2154	67.8	1723
170	4318	144.2	3662	90.1	2289	72.1	1831
180	4572	152.6	3877	95.4	2423	76.3	1939
190	4826	161.1	4092	100.7	2558	80.6	2046
200	5080	169.6	4308	106.0	2692	84.8	2154
260	6604	220.5	5600	137.8	3500	110.2	2800
270	6858	229.0	5816	143.1	3635	114.5	2908
280	7112	237.4	6031	148.4	3769	118.7	3015
290	7366	245.9	6246	153.7	3904	123.0	3123
300	7620	254.4	6462	159.0	4039	127.2	3231



 **Note:**

There is 5% tolerance among these numbers due to optical component variations. BenQ recommends that if you intend to permanently install the projector, you should physically test the projection size and distance using the actual projector before you permanently install it, so as to make allowance for this projector's optical characteristics. This will help you determine the exact mounting position so that it best suits your installation location.

## Adjusting by Lens shift



The Lens Shift function can be used to adjust the position of the projected image either horizontally or vertically within the range detailed below.

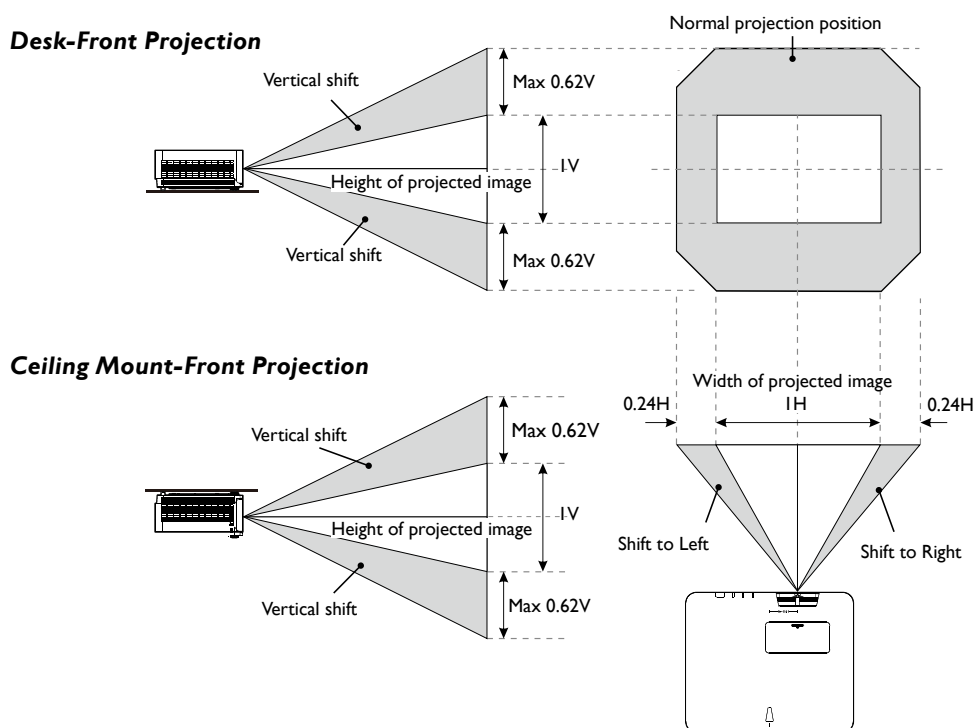
### Adjusting the vertical image position

The vertical image height can be adjusted between +50% and -50% for WUXGA of offset position. Please consult the Lens Shift Range diagram below for further clarification.

### Adjusting the horizontal image position

With the lens in the center position the horizontal image position can be adjusted to the left or right by up to a maximum of 20% of the image width. Please consult the Lens Shift Range diagram below for further clarification.

### Lens shift range diagram



**Note:**

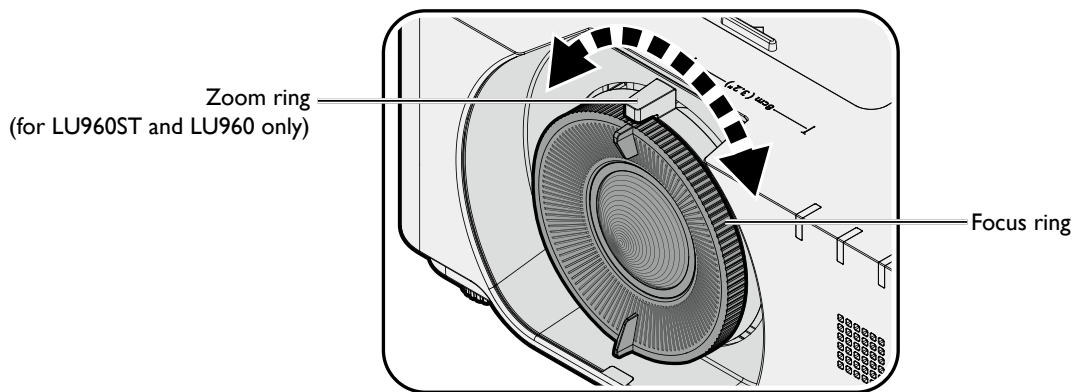
"To optimize the projection quality, we suggest to utilize the lens shift within vertical 50% and horizontal 20%. Black corner may occur when reach the mechanical limitation"

**Notice (when edge blending)**

- To avoid the image shaking or some pixels in the display may be misaligned, do not use the projector in the following location:
  - In a building close to a construction site.
  - In a room where an air conditioner unit is working and it vibrates.
  - In a place where the temperature changes dramatically that may cause thermal contraction.
- Before making any adjustment, leave the projector lit for at least 45 minutes after its light source is turned on. This allows the internal temperature of the projector to stabilize.

**Adjusting the Zoom/Focus**

You may turn the zoom ring to zoom in or out. To focus the image, rotate the focus ring until the image is clear. The projector will focus at distances. See page [21](#).





## Connection

### Before connecting

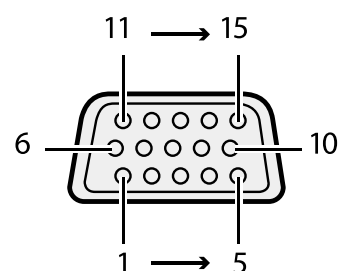
- Before connecting, carefully read the operating instructions for connecting the external device
- Turn off the power to all devices before connecting cables.
- Take note of the following before connecting cables. Failure to do so may result in malfunctions.
  - Before connecting a cable to the projector or to a device that is connected to the projector, touch any nearby metallic objects to remove any static electricity from your body.
  - Do not use unnecessarily long cables to connect the projector or a device to the projector. Using a longer cable that is wound makes it act like an antenna, making it more susceptible to noise.
  - When connecting cables, connect GND first and then insert the connecting terminal of the connecting device.
- Acquire any connection cables necessary to connect external devices to the system that are not supplied.
- The images on the screen may wobble if the video signal contains too much jitter. In this case, a time base corrector (TBC) must be connected.
- If synchronization signal outputs from computers or video equipment are disrupted due to changes in the video output settings or any other reasons, the color of projected images may be temporarily disrupted.
- The projector accepts video signals, Y/C signals, YCBCR/YPBPR signals, analog RGB signals (synchronization signals are TTL level), and digital signals.
- Some computer models are not compatible with the projector.
- Use a cable compensator when you connect devices to the projector with long cables. If a cable compensator is not used, the image may not display properly.

### PC

Even-numbered pins of 2 to 20

No.	Serial
1	R/PR
2	G/Y
3	B/PB
4	N.C.
5	GND
6	GND
7	GND
8	GND

No.	Serial
9	DDC 5V
10	GND
11	N.C.
12	DDC data
13	HSYNC
14	VSYNC
15	DDC clock

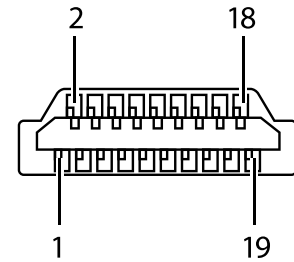


## HDMI I

No.	Serial
1	TMDS Data2+
2	TMDS Data2 Shield
3	TMDS Data2-
4	TMDS Data1+
5	TMDS Data1 Shield
6	TMDS Data1-
7	TMDS Data0+
8	TMDS Data0 Shield
9	TMDS Data0-
10	TMDS Clock+

No.	Serial
11	TMDS Clock Shield
12	TMDS Clock-
13	CEC
14	Reserved (N.C. on device)
15	SCL
16	SDA
17	DDC/CEC Ground
18	+5 V Power (max 50 mA)
19	Hot Plug Detect

Even-numbered pins of 2 to 18

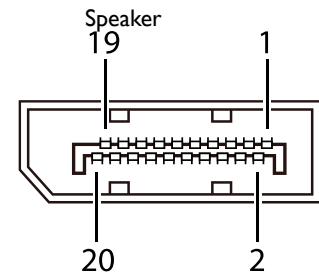


Odd-numbered pins of 1 to 19

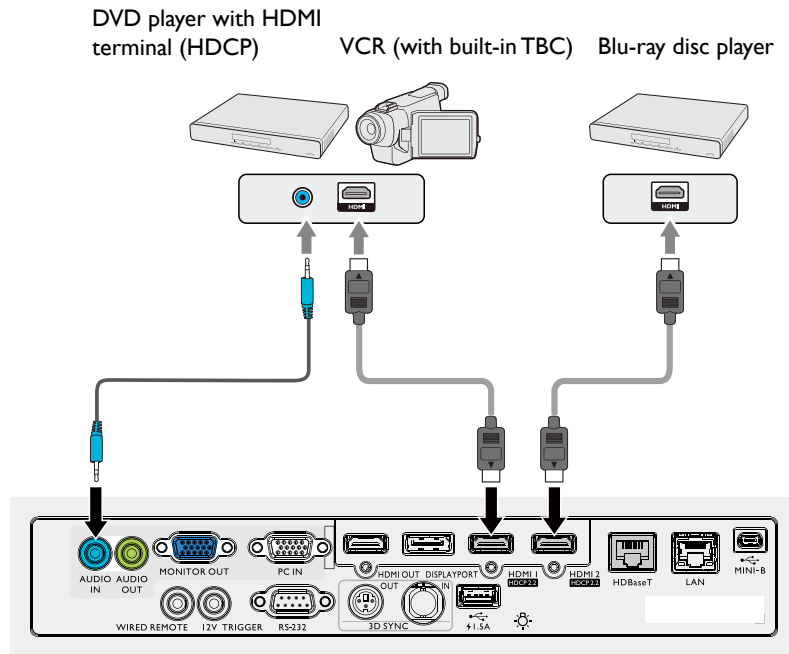
## Display Port

No.	Serial
1	ML_Lane 0 (p)
2	GND
3	ML_Lane 0 (n)
4	ML_Lane 1 (p)
5	GND
6	ML_Lane 1 (n)
7	ML_Lane 2 (p)
8	GND
9	ML_Lane 2 (n)
10	ML_Lane 3 (p)

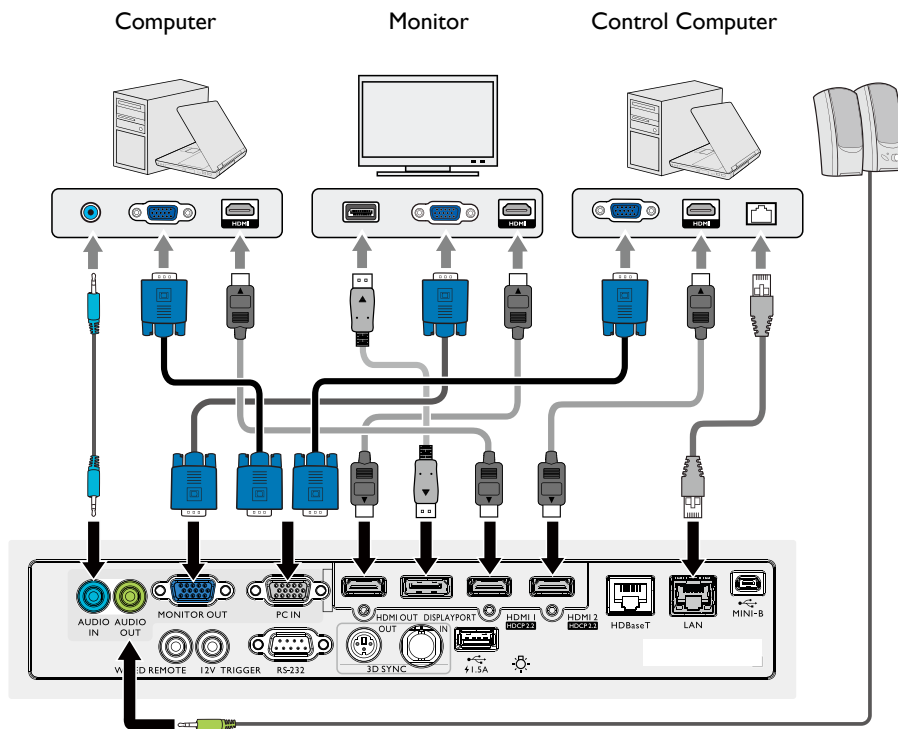
No.	Serial
11	GND
12	ML_Lane 3 (n)
13	CONFIG1
14	CONFIG2
15	AUX CH (p)
16	GND
17	AUX CH (n)
18	Hot plug
19	Return
20	DP_PWR



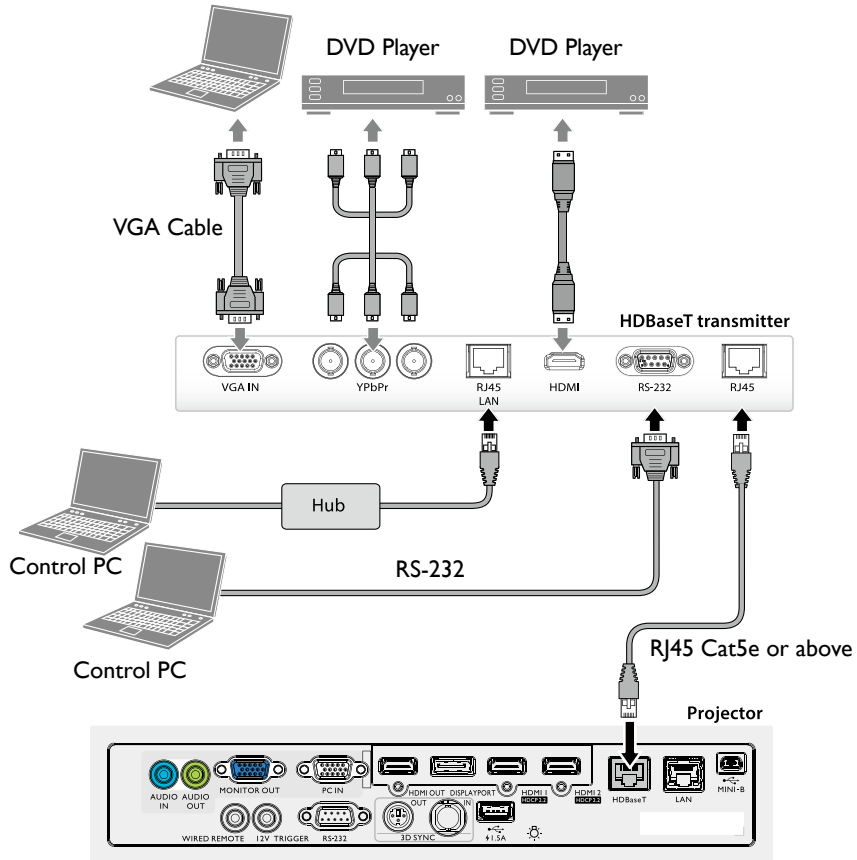
## Connecting with AV equipment



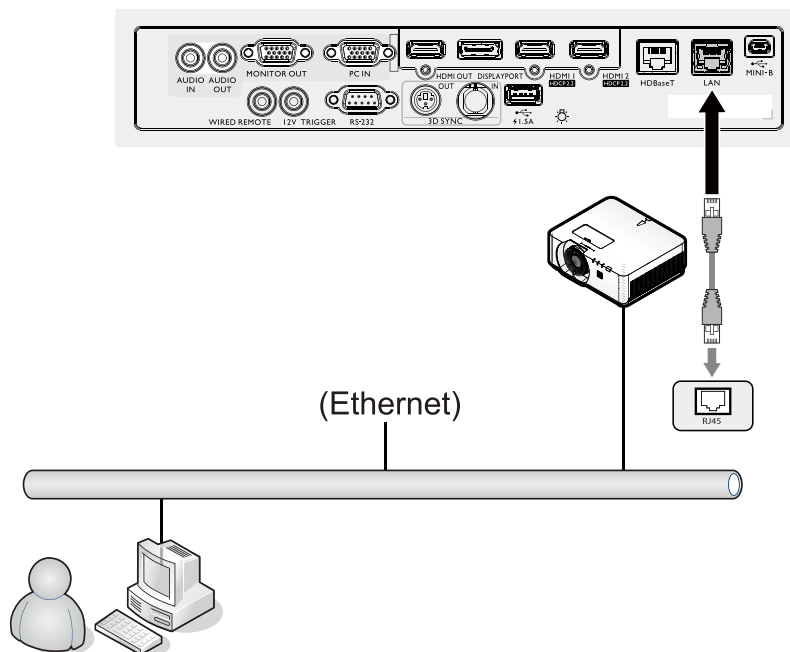
## Connecting with computer



## Connecting with HDBaseT transmitter



## Connecting with LAN

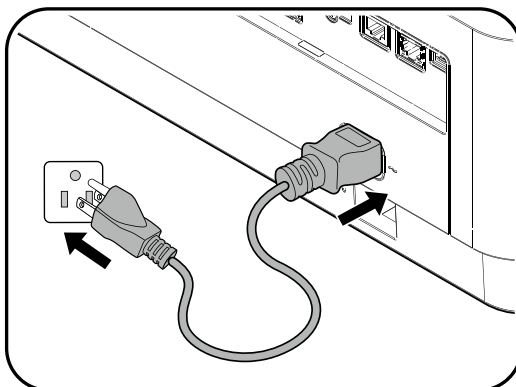


# Operations

## Switch on/off the projector

### Connecting the power cord

Plug the power cord into the projector and into a wall socket. Turn on the wall socket switch (where fitted). Check that the POWER indicator light on the projector lights orange after power has been applied.



### Caution:

Please use the original accessories (e.g. power cable) only with the device to avoid possible dangers such as electric shock and fire.

### Power indicator

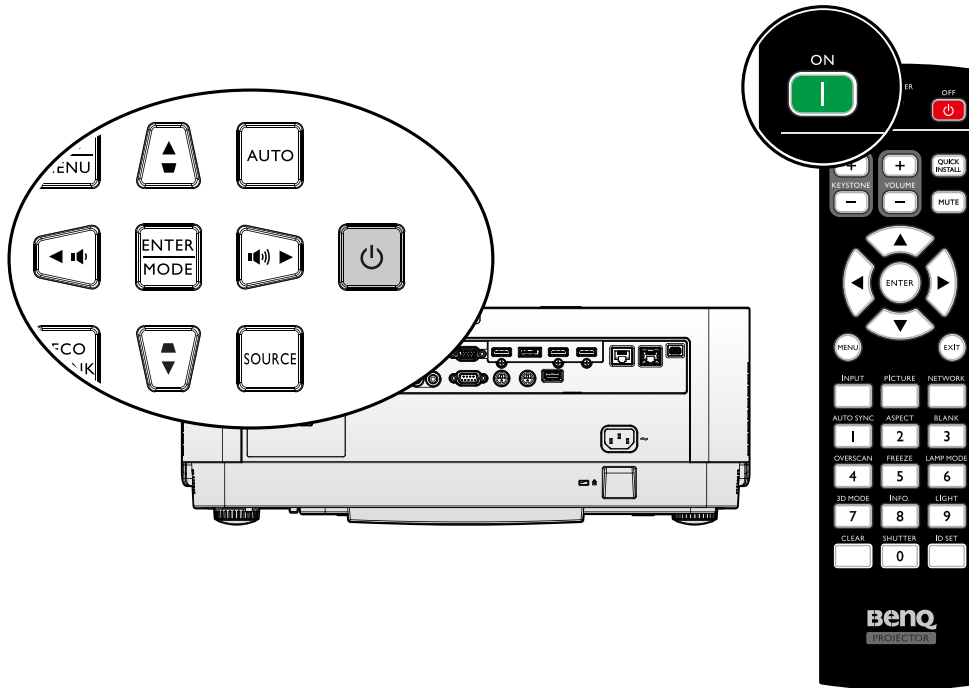
Power	Temp	Light	Filter	Status & Description
Orange	-	-	-	Stand-by
Green Flashing	-	-	-	Powering up
Green	-	-	-	Normal operation
Orange Flashing	-	-	-	Normal power down cooling

## Switch on the projector

Press **POWER** on the projector or **ON** on the remote control to start the projector and a start up tone sounds. The **POWER** indicator light flashes green and stays green when the projector is on.

The start up procedure takes about 30 seconds. In the later stage of start up, a startup logo is projected.

(If necessary) Rotate the focus ring to adjust the image clearness.



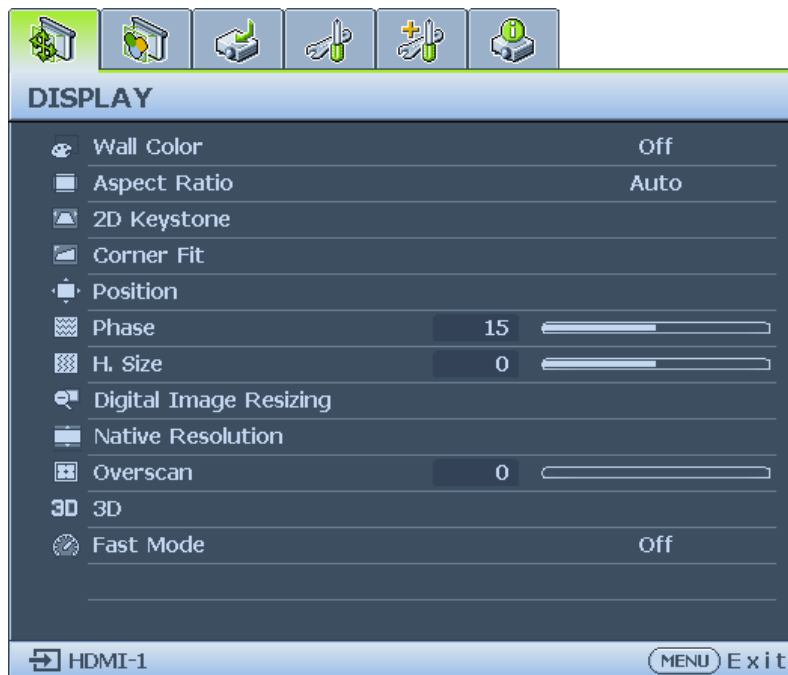
## Select language

To use the OSD menus, please set them to your familiar language first.

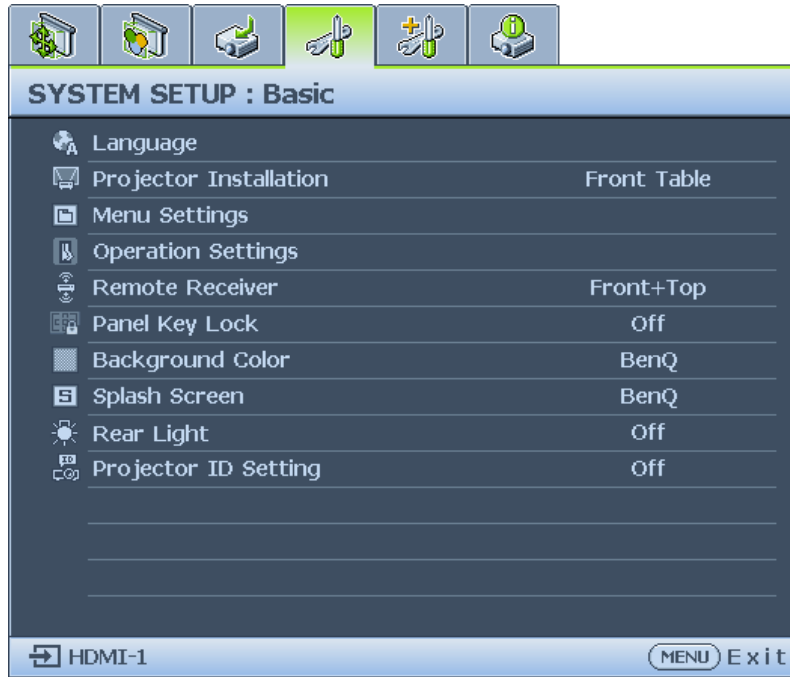
Please Select Language			
English	한국어	Hrvatski	हिन्दी
Français	Svenska	Română	
Deutsch	Nederlands	Norsk	
Italiano	Türkçe	Dansk	
Español	Čeština	Български	
Русский	Português	suomi	
繁體中文	ไทย	Indonesian	
简体中文	Polski	Ελληνικά	
日本語	Magyar	العربية	
Press Enter to confirm, Exit to leave			

\*After this process is done, this menu will not show up again after 1st time adjustment unless user presses **Reset All Settings**.

1. Press **ENTER** on the projector or remote control to turn the OSD menu on.



2. Use ◀/▶ to highlight the **System Setup: Basic** menu.



3. Press ▼ to highlight **Language** and press **ENTER** to select a preferred language.



4. Press **ENTER** twice\* on the projector or remote control to leave and save the settings.  
 \*The first press leads you back to the main menu and the second press closes the OSD menu.



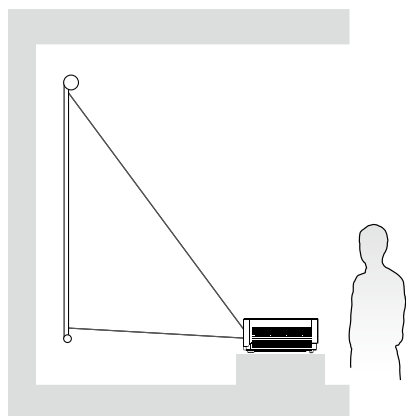
## Using the OSD

### Choosing a location

Your projector is designed to be installed in one of four possible installation locations:

#### 1. Front Table

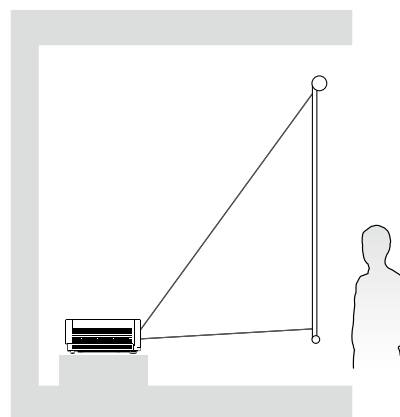
Select this location with the projector placed on a table in front of the screen. This is the most common way to position the projector for quick setup and portability.



#### 2. Rear Table

Select this location with the projector placed on a table behind the screen. Note that a special rear projection screen is required.

\*Set **Rear Table** in the **SYSTEM SETUP: Basic > Projector Installation** menu after you turn the projector on.

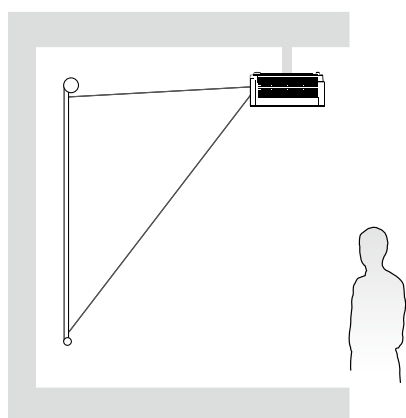


#### 3. Front Ceiling

Select this location with the projector suspended upside-down from the ceiling in front of the screen.

Purchase the BenQ Projector Ceiling Mounting Kit from your dealer to mount your projector on the ceiling.

\*Set **Front Ceiling** in the **SYSTEM SETUP: Basic > Projector Installation** menu after you turn the projector on.

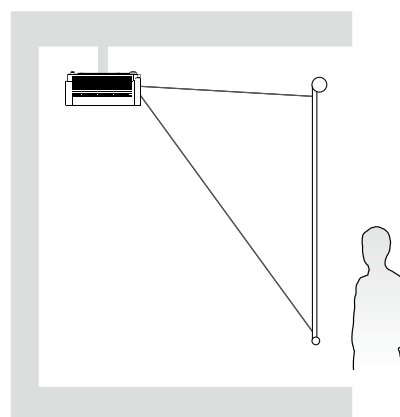


#### 4. Rear Ceiling

Select this location with the projector suspended upside-down from the ceiling behind the screen.

Note that a special rear projection screen and the BenQ Projector Ceiling Mounting Kit are required for this installation location.

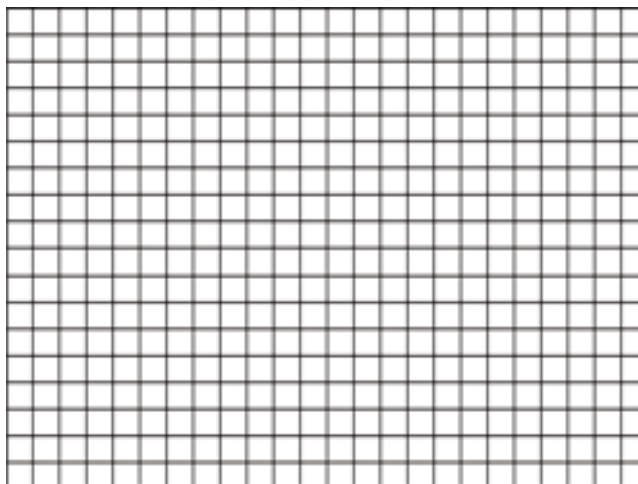
\*Set **Rear Ceiling** in the **SYSTEM SETUP: Basic > Projector Installation** menu after you turn the projector on.



Your room layout or personal preference will dictate which installation location you select. Take into consideration the size and position of your screen, the location of a suitable power outlet, as well as the location and distance between the projector and the rest of your equipment.

## Using test pattern

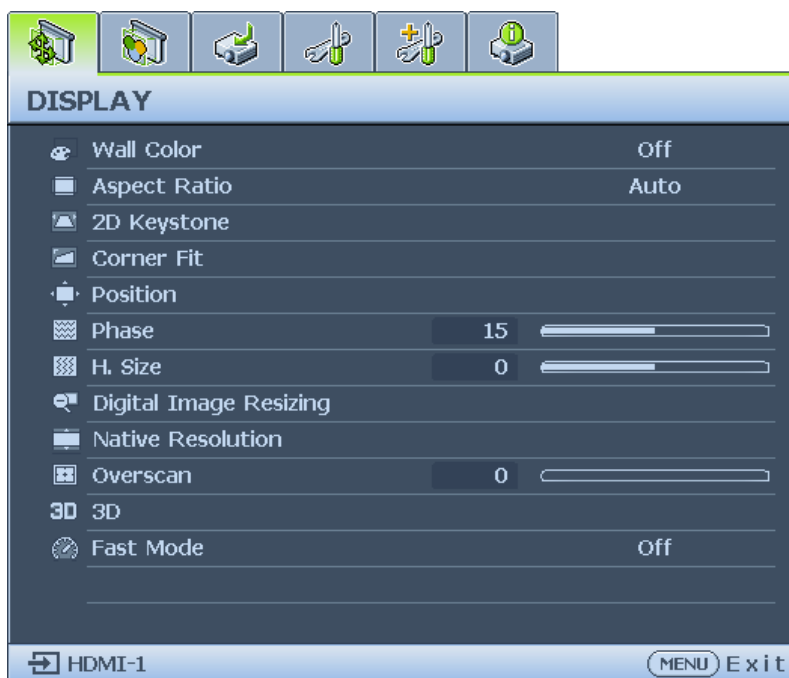
The projector is capable of displaying the grid test pattern. It can be used to assist you with the adjustment of image size and focus, ensuring that the projected image is free from distortion. To display the test pattern, open the OSD menu and go to the **System Setup: Advanced > Test Pattern** and press ◀/▶ to select On.



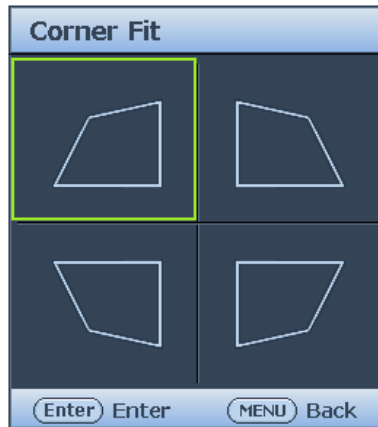
## Adjusting by corner fit

Manually adjust four corners of the image by setting the horizontal and vertical values. Using the OSD menu

1. Press **MENU** and then press ◀/▶ until the **Display** menu is highlighted.
2. Press ▼ to highlight **Corner Fit** and press **ENTER**. The **Corner Fit** page displays.

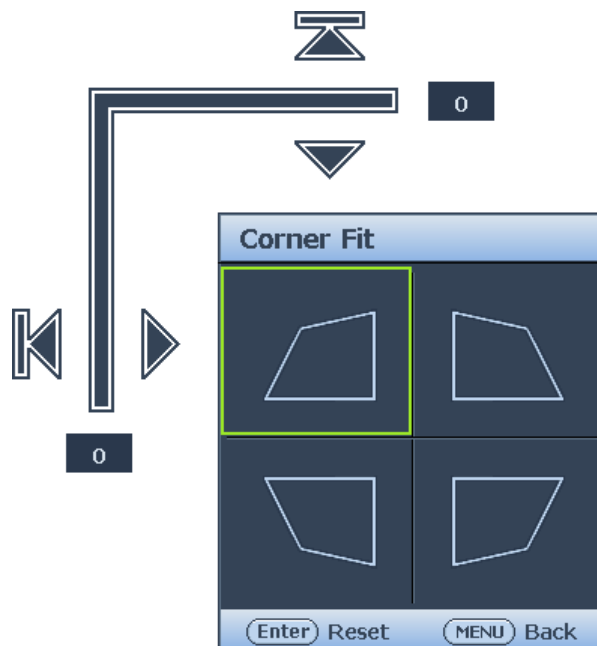


3. Press ▲/▼/◀/▶ to select one of the four corners and press **ENTER**.



4. Press ▲/▼ to adjust vertical values.

5. Press ◀/▶ to adjust horizontal values.



### Auto adjusting the image

In some cases, you may need to optimize the picture quality. To do this, press **AUTO** on the projector or remote control. Within 3 seconds, the built-in Intelligent Auto Adjustment function will re-adjust the values of Frequency and Clock to provide the best picture quality.

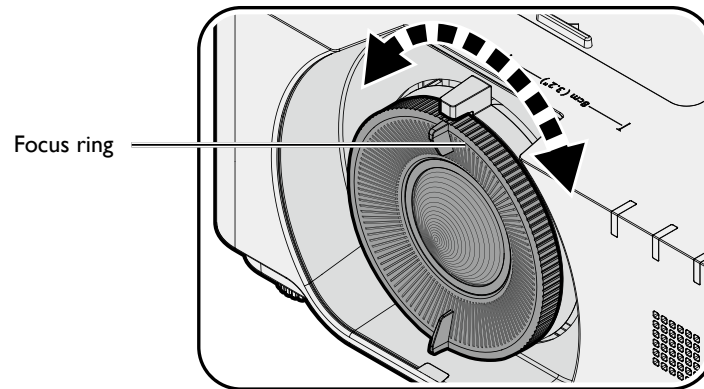
The current source information will be displayed in the upper left corner of the screen for 3 seconds.

#### **Note:**

- The screen will be blank while AUTO is functioning.
- This function is only available when PC signal (analog RGB) is selected.

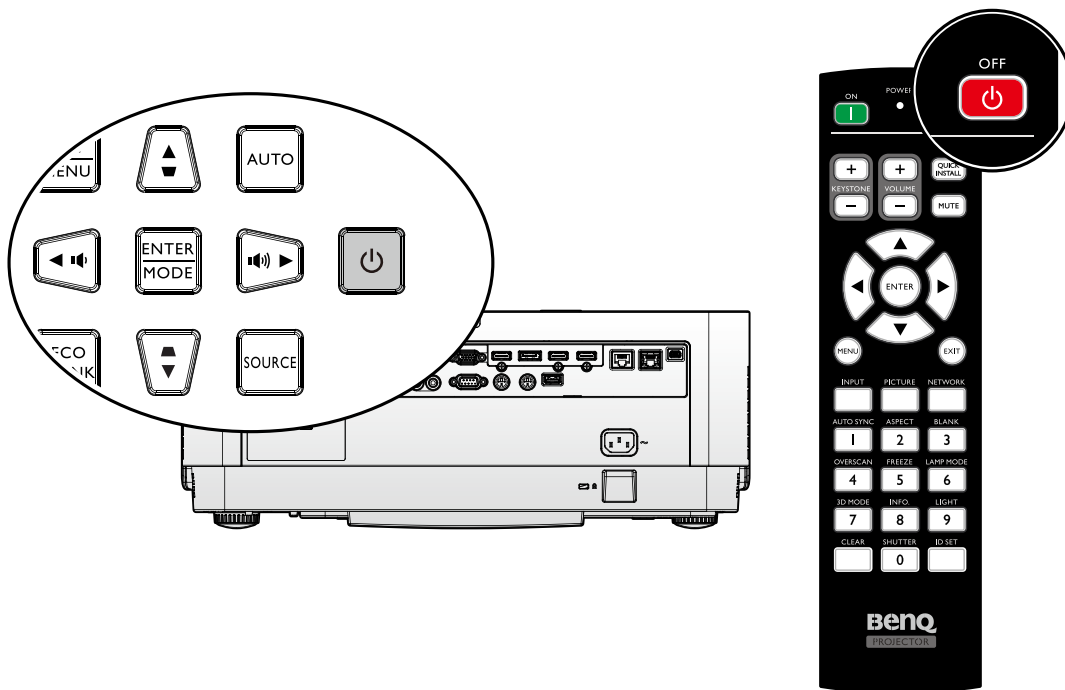
## Fine tuning the image clarity

Sharpen the image by rotating the FOCUS ring.



## Switch off the projector

1. Press **POWER** or **OFF** and a confirmation message will appear prompting you. If you don't respond in a few seconds, the message will disappear.
2. Press **POWER** or **OFF** a second time. The **POWER** indicator light flashes orange, the projection light source shuts down.



3. Once the cooling process finishes, a "**Power Off Ring Tone**" will be heard. The **POWER** indicator light is a steady orange and fans stop. Disconnect the power cord from the power outlet.

### Caution:

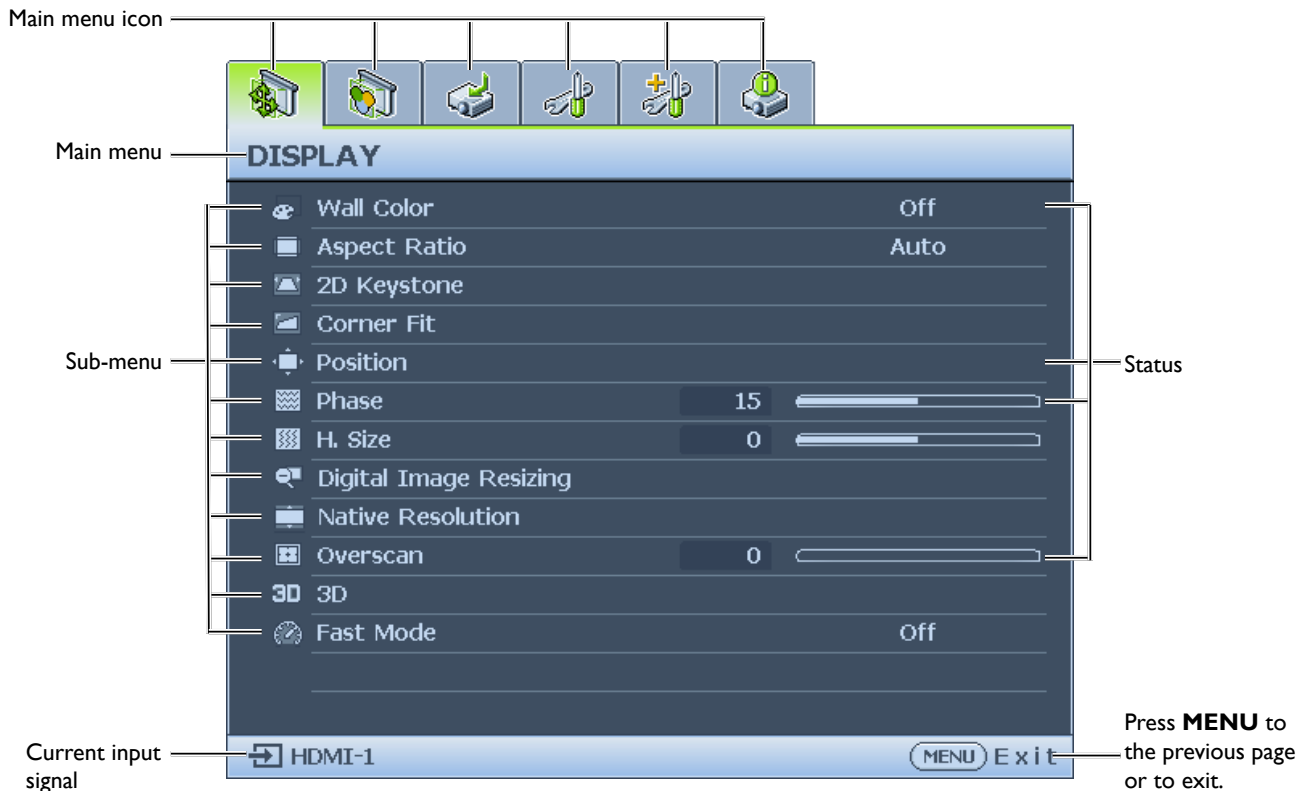
- To protect the light source, the projector will not respond to any commands during the cooling process.
- Press **POWER** or **ON** again to start the projector after the **POWER** indicator light turns orange.

# Using the menu

## Main menu

The projector is equipped with On-Screen Display (OSD) menus for making various adjustments and settings.

Below is the overview of the OSD menu.

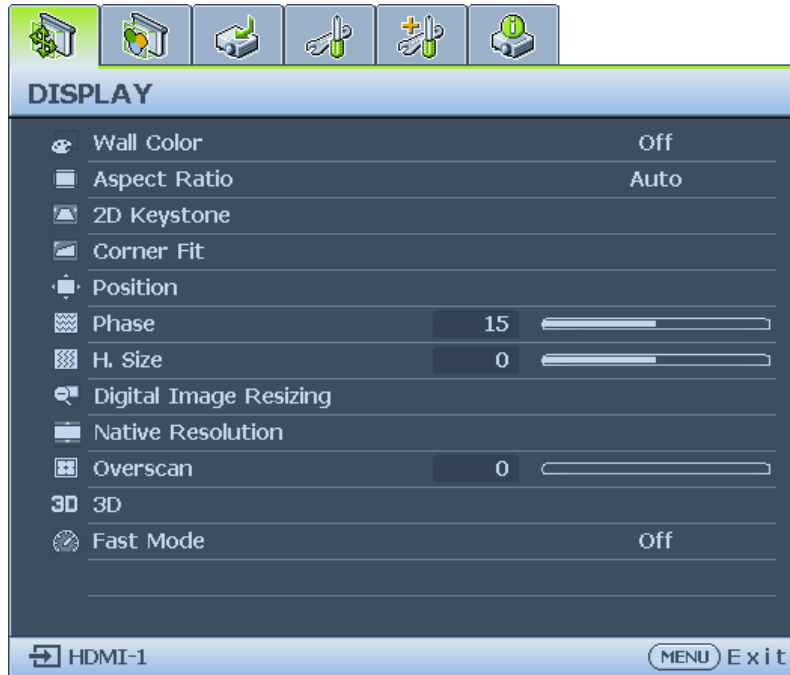


1. Display menu (see ["Display menu" on page 38](#))
2. Picture menu (see ["Picture menu" on page 43](#))
3. Source menu (see ["Source menu" on page 48](#))
4. System Setup : Basic menu (see ["System Setup : Basic menu" on page 49](#))
5. System Setup : Advanced menu (see ["System Setup : Advanced menu" on page 52](#))
6. Information menu (see ["Information menu" on page 57](#))

Available menu items may vary depending on the connected video sources or specified settings. Menu items that are not available will become grayed out.

- Use the arrow keys (▲/▼/◀/▶) on the projector or remote control to move through the menu items.
- Use **ENTER** to confirm the selected menu item.

## Display menu



- **Wall Color**

Press ◀/▶ to correct the image color bias reflected by the wall. The options are Off, Light Yellow, Pink, Light Green, Blue and Blackboard.

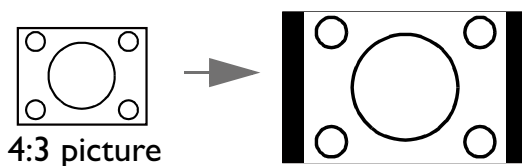
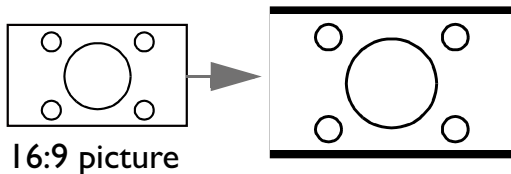
- **Aspect Ratio**

Press ◀/▶ to adjust the aspect of the projected image. The options are Auto, Real, 4:3, 16:9, 16:10 and 2.4:1.

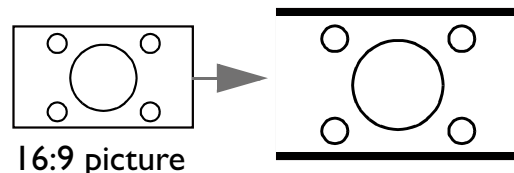
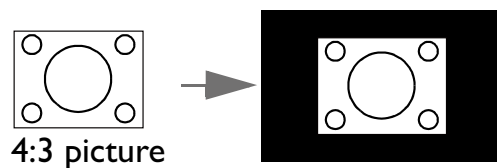
- Using the remote control

1. Press **ASPECT** to show the current setting.
2. Press **ASPECT** repeatedly to select an aspect ratio to suit the format of the video signal and your display requirements.

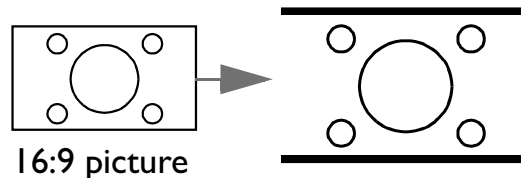
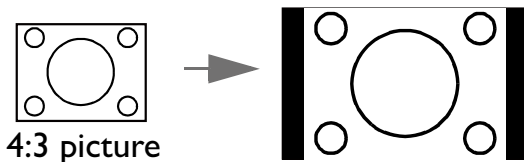
1. **Auto:** Scales an image proportionally to fit the projector's native resolution in its horizontal width. This is suitable for the incoming image which is neither in 4:3 nor 16:9 and you want to make most use of the screen without altering the image's aspect ratio.



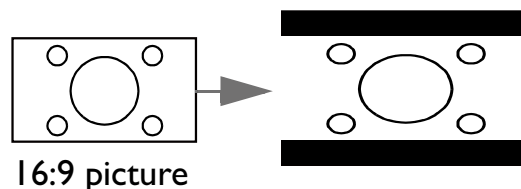
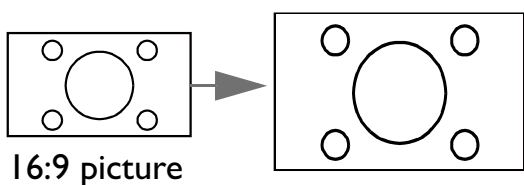
2. **Real:** The image is projected as its original resolution, and resized to fit within the display area. For input signals with lower resolutions, the projected image will display smaller than if resized to full screen. You could adjust the zoom setting or move the projector away from the screen to increase the image size if necessary. You may also need to refocus the projector after making these adjustments.



3. **4:3:** Scales an image so that it is displayed in the center of the screen with a 4:3 aspect ratio. This is most suitable for 4:3 images like computer monitors, standard definition TV and 4:3 images aspect DVD movies, as it displays them without aspect alteration.
4. **16:9:** Scales an image so that it is displayed in the center of the screen with a 16:9 aspect ratio. This is most suitable for images which are already in a 16:9 aspect, like high definition TV, as it displays them without aspect alteration.

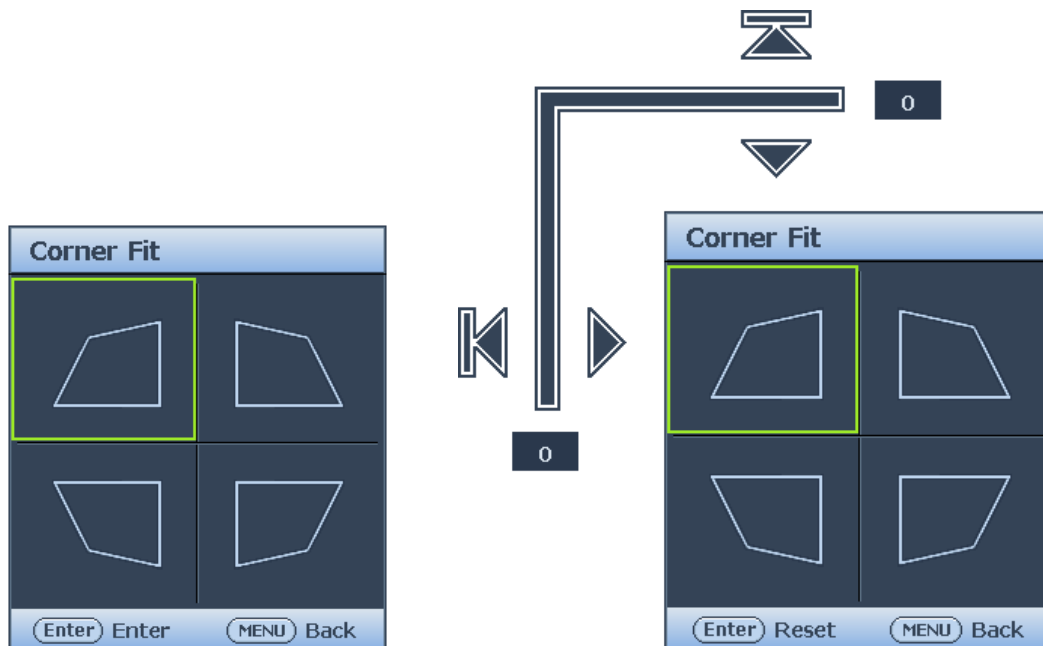


5. **16:10:** Scales an image so that it is displayed in the center of the screen with a 16:10 aspect ratio. This is most suitable for images which are already in a 16:10 aspect, as it displays them without aspect alteration.
6. **2.4:1:** Scales an image so that it is displayed in the center of the screen with a 2.4:1 aspect ratio. This is most suitable for widescreen cinemascope formats for movie theaters or images which already vary to 2.40 aspect, as it displays them without aspect alteration.



- **2D Keystone**  
Press **ENTER** and press **▲/▼/◀/▶** to adjust horizontal or vertical distortion brought by the projection angle.
- **Corner Fit**  
Press **ENTER** to enter the **Corner Fit** menu. See "[Corner Fit menu](#)" on page 40 for more details.
- **Position**  
Press **ENTER** and press **▲/▼/◀/▶** to adjust the position of the projected picture.
- **Phase**  
Press **◀/▶** to adjust Phase for the projected picture.
- **H. Size**  
Press **◀/▶** to adjust H. Size for the projected picture.
- **Digital Image Resizing**  
Press **ENTER** to enter the **Digital Image Resizing** menu. See "[Digital Image Resizing](#)" on page 40 for more details.
- **Native Resolution**  
Press **ENTER** to enter the **Native Resolution** menu. See "[Native Resolution](#)" on page 41.
- **Overscan**  
Press **◀/▶** to hide edge of the projected image to damage the noise.
- **3D**  
Press **ENTER** to enter the **3D** menu. See "[3D menu](#)" on page 42 for more details.
- **Fast Mode**  
Press **◀/▶** to enable or disable **Fast Mode**.

## Corner Fit menu



- **Top Left**  
Press **ENTER** and press ▲/▼/◀/▶ to correct the top left corner.
- **Top Right**  
Press **ENTER** and press ▲/▼/◀/▶ to correct the top right corner.
- **Bottom Left**  
Press **ENTER** and press ▲/▼/◀/▶ to correct the bottom left corner.
- **Bottom Right**  
Press **ENTER** and press ▲/▼/◀/▶ to correct the bottom right corner.

## Digital Image Resizing



- **Digital Zoom**  
Press **ENTER** and press ◀/▶ to reduce the image to a desired size. Press **AUTO** to restore the picture to its original size.
- **Digital Shrink**  
Press **ENTER** and press ◀/▶ to reduce the image to a desired size. Press **AUTO** to restore the picture to its original size.
- **Digital Image Shift**  
Press **ENTER** and press ▲/▼/◀/▶ to shift the image. Press **AUTO** to restore the picture to its original position.
- **Blanking**  
Press **ENTER** to enter the **Blanking** menu. See "[Blanking menu](#)" on page 41 for more details.

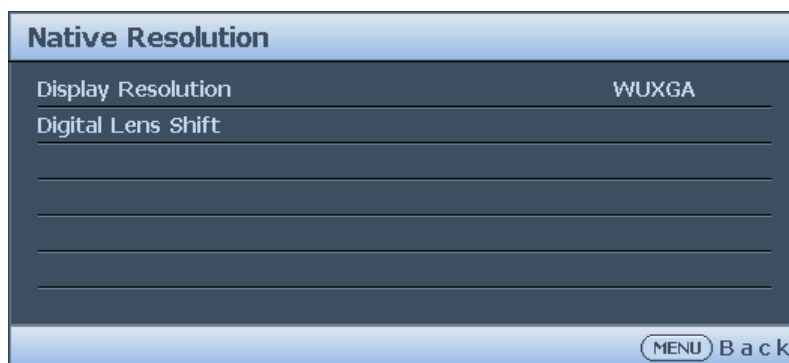


## Blanking menu



- **Top**  
Press ◀/▶ to adjust the top blanking area on the projected picture.
- **Bottom**  
Press ◀/▶ to adjust the bottom blanking area on the projected picture.
- **Left**  
Press ◀/▶ to adjust the left blanking area on the projected picture.
- **Right**  
Press ◀/▶ to adjust the right blanking area on the projected picture.
- **Reset**  
Press **ENTER** to set up all Blanking settings to default.

## Native Resolution

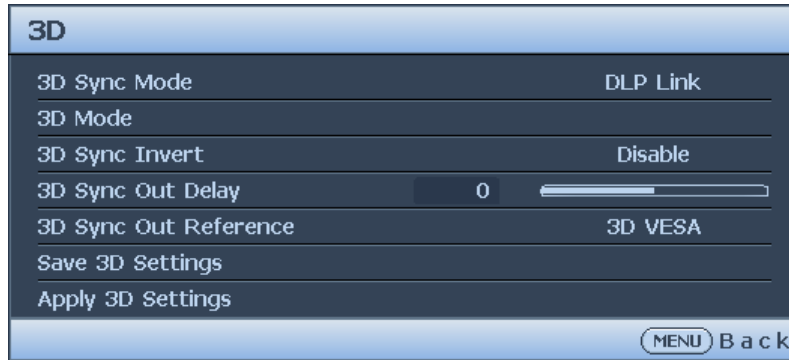


- **Display Resolution**  
Select the native resolution of this projector between **WUXGA** and **1080P**.
- **Digital Lens Shift**  
After the **Digital Lens Shift** page displays, press ▲/▼ to shift the projected image.

### **Note:**

This function is not available in the following situations: **Picture Moder** is **3D**; **Native Resolution** is **WUXGA**

## 3D menu



- **3D Sync Mode**  
Press ◀/▶ to select the 3D sync mode. The options are DLP Link and VESA 3D.
- **3D Mode**  
Press **ENTER** to enter the **3D Mode** menu. Press ▲/▼ to select the 3D format. The options are Auto, Top-Bottom, Frame Sequential, Frame Packing, Side-By-Side and Off.
- **3D Sync Invert**  
Press ◀/▶ to enable or disable 3D Sync Invert.
- **3D Sync Out Delay**  
Press ◀/▶ to adjust 3D sync out signal delay.
- **3D Sync Out Reference**  
Press ◀/▶ to select the 3D sync out behavior. The options are 3D VESA and Bypass to another projector.
- **Save 3D Settings**  
Press **ENTER** to enter the **Save 3D Settings** menu. Press ▲/▼ and **ENTER** to save the current 3D settings.
- **Apply 3D Settings**  
Press **ENTER** to enter the **Apply 3D Settings** menu. Press ▲/▼ and **ENTER** to apply the saved 3D settings.

## Fast Mode

Minimizing the response time (one frame) between the source input and the image output, this mode will enhance the controlling experience.

### **Note:**

When using **Fast Mode**:

- In order to have minimized response time, Keystone, Aspect Ratio, 2D Keystone, Corner Fit, Digital Zoom, Digital Shrink, Digital Image Shift, Blanking, Overscan, Display Resolution should be reset to factory preset value.
- Recommend timings are 1920x1200 60Hz/120Hz. See "[Timing table](#)" on page 70 for more details.

### **Note:**

Only LU960ST2 supports Fast Mode 1920 x 1200 @120Hz.

## Picture menu



- **Picture Mode**

Press ◀/▶ to select a picture mode. The options are Bright / Presentation / sRGB / Simulator / Video / (3D)/(HDMI0) / (HLG) / User 1 / User 2.

- **Bright mode:** Maximizes the brightness of the projected image. This mode is suitable for environments where extra-high brightness is required, such as using the projector in well lit rooms.
- **Presentation mode:** Is designed for presentation. The brightness is emphasized in this mode to match PC and notebook coloring.
- **sRGB mode:** Maximizes the purity of RGB colors to provide true-to-life images regardless of brightness setting. It is most suitable for viewing photos taken with an sRGB compatible and properly calibrated camera, and for viewing PC graphic and drawing applications such as AutoCAD.
- **Simulator:** Optimized setting for multiple projector blending purpose.  
Below batch setup will be executed
  - Color table same as sRGB
  - Dynamic Dimming turn Off
  - Direct power on turn On
  - Fast mode turn On
  - Standby Mode turn to Normal standby
  - Disable digital correction include Aspect ratio, keystone, corner fit, digital zoom/shrink and EDID switch to keep native resolution.
 Please refer to content below, more settings.
- **Video:** Is suitable for playing videos in an environment where there is ambient light. Dynamic color details are preserved by BenQ enhancement technology.
- **3D mode:** Is appropriate for playing 3D images and 3D video clips. This mode is only available when 3D function is enabled and 3D content is detected.

 Note:

Only LU960ST2 supports Simulator picture mode.

- **HDR10 mode:** Only available when detecting HDR10 content, other picture mode can't be selected
- **HLG mode:** Only available when detecting HLG content, other picture mode can't be selected
- **User 1/User 2 mode:** Recalls the settings customized based on the current available picture modes.

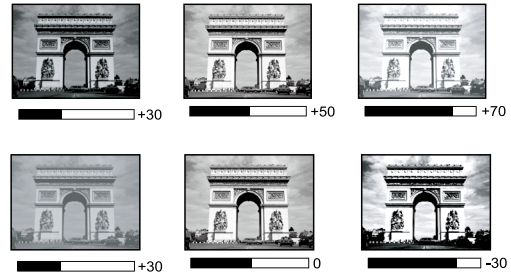
- **Reference Mode**

Press ◀/▶ to select a reference mode. The options are Bright / Presentation / sRGB / Video.

- **Brightness**

Press ◀/▶ to adjust the brightness of the projected image.

The higher the value, the brighter the image. And lower the setting, darker the image. Adjust this control so the black areas of the image appear just as black and that detail in the dark areas is visible.



- **Contrast**

Press ◀/▶ to adjust the contrast of the projected image.

The higher the value, the greater the contrast. Use this to set the peak white level after you have previously adjusted the Brightness setting to suit your selected input and viewing environment.

- **Color**

Press ◀/▶ to adjust the color saturation.

Lower setting produces less saturated colors. If the setting is too high, colors on the image will be overpowering, which makes the image unrealistic.

- **Tint**

Press ◀/▶ to adjust the tint of the projected image.

The higher the value, the more reddish the picture becomes. The lower the value, the more greenish the picture becomes.

- **Sharpness**

Press ◀/▶ to adjust the display sharpness of the projected image.

The higher the value, the sharper the picture becomes. The lower the value, the softer the picture becomes.

- **Brilliant Color**

Press ◀/▶ to adjust the brilliant color of the projected image.

This feature utilizes a new color-processing algorithm and system level enhancements to enable higher brightness while providing truer, more vibrant colors in picture. It enables a greater than 50% brightness increase in mid-tone images, which are common in video and natural scenes, so the projector reproduces images in realistic and true colors. If you prefer images with that quality, select a desired level.

When **0** is selected, the **Color Temperature** function is not available.

- **Gamma Selection**

Gamma refers to the relationship between input source and picture brightness.

- **1.8/2.0/2.1/BenQ:** Select these values according to your preference.
- **2.2/2.3:** Increases the average brightness of the picture. Best for a lit environment, meeting room or family room.
- **2.4:** Best for viewing movies in a dark environment.
- **2.6:** Best for viewing movies which are mostly composed of dark scenes.

- **HDR Brightness**  
Press ◀/▶ to adjust the HDR brightness.
- **Color Temperature**  
Press ◀/▶ to adjust the color temperature. The options are Cool, Normal and Warm.
  - **Cool:** makes the image appear bluish white.
  - **Normal:** Maintains normal colorings for white.
  - **Warm:** Makes images appear reddish white.
- **Color Temperature Fine Tuning**  
Press **ENTER** to enter the **Color Temperature Fine Tuning** menu. See "[Color Temperature Fine Tuning menu](#)" on page 45 for more details.
- **3D Color Management**  
Press **ENTER** to enter the **3D Color Management** menu. See "[3D Color Management menu](#)" on page 46 for more details.
- **Reset Picture Settings**  
Press **ENTER** to enter the **Reset Picture Settings** menu. Press ▲/▼ and press **ENTER** to set to the default value.
  - **Current:** Returns current picture mode to the factory preset settings.
  - **All:** Returns all settings, except User 1/User 2 in the Picture menu to the factory preset settings.

### Color Temperature Fine Tuning menu

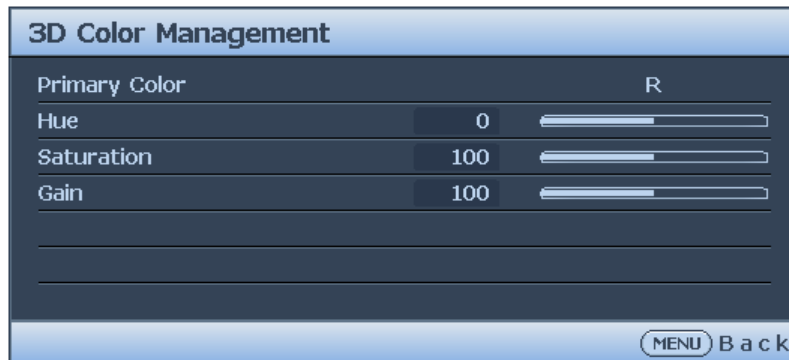


- **R Gain**  
Press ◀/▶ to adjust the Red Gain.
- **G Gain**  
Press ◀/▶ to adjust the Green Gain.
- **B Gain**  
Press ◀/▶ to adjust the Blue Gain.
- **R Offset**  
Press ◀/▶ to adjust the Red Offset.
- **G Offset**  
Press ◀/▶ to adjust the Green Offset.
- **B Offset**  
Press ◀/▶ to adjust the Blue Offset.

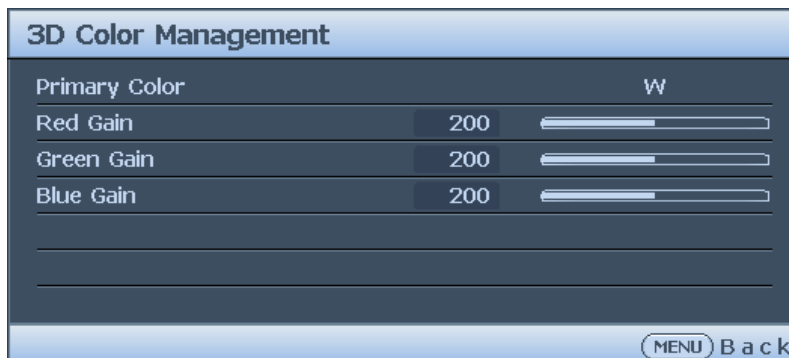
### To set a preferred color temperature:

1. Highlight **Color Temperature** and select **Warm, Normal** or **Cool** by pressing ◀/▶ on the projector or remote control.
2. Press ▼ to highlight **Color Temperature Fine Tuning** and press **ENTER**. The Color Temperature Fine Tuning page appears.
3. Press ▲/▼ to highlight the item you want to change and adjust the values by pressing ◀/▶.
  - **R Gain/G Gain/B Gain:** Adjusts the contrast levels of Red, Green, and Blue.
  - **R Offset/G Offset/B Offset:** Adjusts the brightness levels of Red, Green, and Blue.
4. Press **MENU** to exit and save the settings.

### 3D Color Management menu



- **Primary Color**  
Press **ENTER** to enter the **Primary Color** menu. Press ▲/▼ to select the primary color. The options are R, G, B, C, M, Y, and W.
- When **Primary Color** select R, G, B, C, M and Y, Adjusting Hue, Saturation and Gain.
  - **Hue**  
Press **ENTER** to enter the **Hue** menu. Press ▲/▼/◀/▶ to adjust settings.
  - **Saturation**  
Press **ENTER** to enter the **Saturation** menu. Press ▲/▼/◀/▶ to adjust settings.
  - **Gain**  
Press **ENTER** to enter the **Gain** menu. Press ▲/▼/◀/▶ to adjust settings.
- When **Primary Color** Select White, Adjusting Red Gain/Green Gain/Blue Gain.



### 3D Color Management

In most installation situations, color management will not be necessary, such as in classroom, meeting room, or lounge room situations where lights remain on, or where building external windows allow daylight into the room.

Only in permanent installations with controlled lighting levels such as boardrooms, lecture theaters, or home theaters, should color management be considered. Color management provides fine color control adjustment to allow for more accurate color reproduction, should you require it.

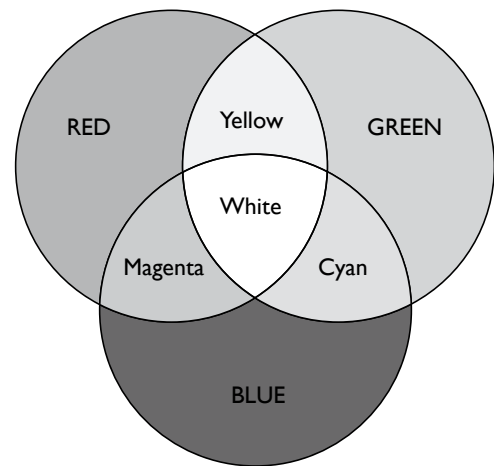
Proper color management can only be achieved under controlled and reproducible viewing conditions. You will need to use a colorimeter (color light meter), and provide a set of suitable source images to measure color reproduction. These tools are not provided with the projector, however, your projector supplier should be able to provide you with suitable guidance, or even an experienced professional installer.

The Color Management provides seven sets (RGBCMYW) of colors to be adjusted. When you select each color, you can independently adjust its range and saturation according to your preference.

If you have purchased a test disc which contains various color test patterns and can be used to test the color presentation on monitors, TVs, projectors, etc. You can project any image from the disc on the screen and enter the 3D Color Management menu to make adjustments.

To adjust the settings:

1. Go to the **Picture** menu and highlight **3D Color Management**.
2. Press **ENTER** and the 3D Color Management page displays.
3. Highlight **Primary color** and press ◀/▶ to select a color from among Red, Green, Blue, Cyan, Magenta, Yellow.
4. Press ▼ to highlight **Hue** and press ◀/▶ to select its range. Increase in the range will include colors consisted of more proportions of its two adjacent colors.  
Please refer to the illustration to the right for how the colors relate to each other.  
For example, if you select Red and set its range at 0, only pure red in the projected picture will be selected. Increasing its range will include red close to yellow and red close to magenta.
5. Press ▼ to highlight **Saturation** and adjust its values to your preference by press ◀/▶.  
Every adjustment made will reflect to the image immediately.  
For example, if you select Red and set its value at 0, only the saturation of pure red will be affected.
6. Adjusting the **RGB Gain** to get an accurate white point. For example, if you want to correct a reddish white, you can decrease the R gain value. .



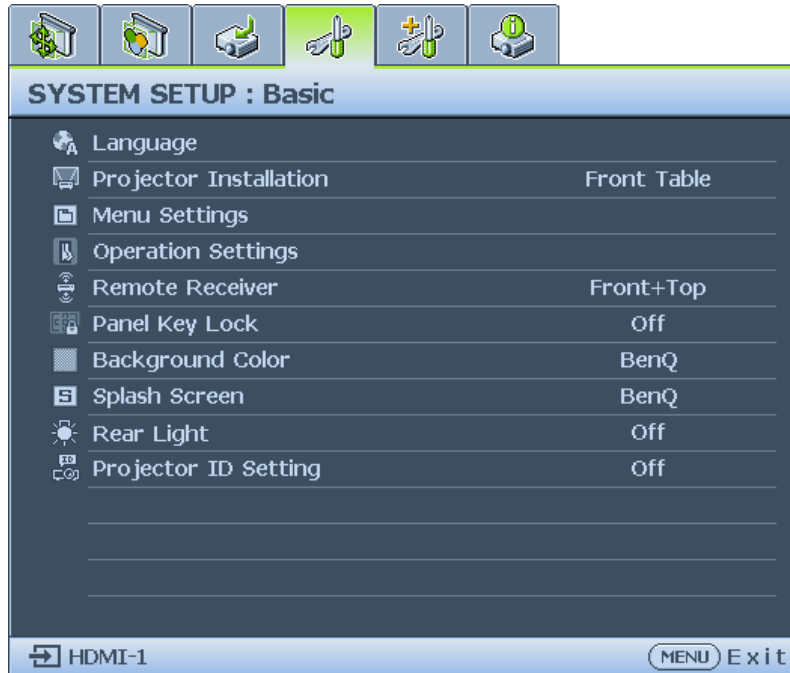
## Source menu



- **Quick Auto Search**  
Press ◀/▶ to enable or disable search the input source automatically.
- **HDR**  
Press ◀/▶ to select a suitable HDR setting. The options are Auto, SDR, HDR 10 and HLG.
- **HDMI Format**  
Press ◀/▶ to selects a suitable color format to to optimize display quality. The options are Auto, RGB Limited, RGB Full, YUV Limited and YUV Full.
  - **Auto:** Automatically selects a suitable color space and gray level for the incoming HDMI signal.
  - **RGB Limited:** Utilizes the Limited range RGB 16-235.
  - **RGB Full:** Utilizes the Full range RGB 0-255.
  - **YUV Limited:** Utilizes the Limited range YUV 16-235.
  - **YUV Full:** Utilizes the Full range YUV 0-255.
- **HDMI EDID**  
Press **ENTER** to enter the **HDMI EDID** menu. Press ▲/▼ and press **ENTER** to select the HDMI. Press ◀/▶ to set to the default value.
  - **Enhance:** Enhanced mode can switch to HDMI 2.0 EDID.
  - **Standard:** Standard mode can switch to HDMI 1.4 EDID.
- **HDMI Equalizer**  
Press **ENTER** to enter the **HDMI Equalizer** menu. Press ▲/▼ and press **ENTER** to select the HDMI. Press ◀/▶ to set to the default value.
- **Auto Sync**  
Press ◀/▶ to enable or disable auto sync function.

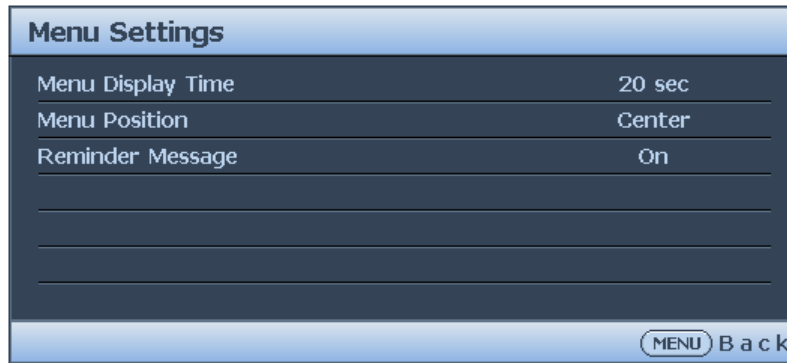


## System Setup : Basic menu



- Language**  
 Press **ENTER** to enter the **Language** menu. Press **▲/▼/◀/▶** to select the language of OSD menu.
- Projector Installation**  
 Press **◀/▶** to select the projector installation. The options are Front Table, Rear Table, Rear Ceiling and Front Ceiling.
- Menu Settings**  
 Press **ENTER** to enter the **Menu Settings** menu. See "[Menu Settings menu](#)" on page 50 for more details.
- Operation Settings**  
 Press **ENTER** to enter the **Operation Settings** menu. See "[Operation Settings menu](#)" on page 50 for more details.
- Remote Receiver**  
 Press **◀/▶** to select the remote receiver. The options are Off, Front, Top and Front+Top
- Panel Key Lock**  
 Press **◀/▶** to enable or disable all panel key functions except **POWER** on the projector.
- Background Color**  
 Press **◀/▶** to select the background color when no input signal. The options are BenQ, Black, Blue and Purple.
- Splash Screen**  
 Press **◀/▶** to select the start up pattern when the projector turns on. The options are BenQ, Black and Blue.
- Rear Light**  
 To enable or disable Rear LED light for Illumination on terminals.
- Projector ID Setting**  
 To use the Left and Right keys to enable or disable the projector ID.

## Menu Settings menu



- Menu Display Time**  
 Press ◀/▶ to select the menu display time period. The options are 5 sec, 10 sec, 20 sec, 30 sec and Always.
- Menu Position**  
 Press ◀/▶ to select the menu display position. The options are Center, Top-Left, Top-Right, Bottom-Right and Bottom-Left.
- Reminder Message**  
 Press ◀/▶ to enable or disable reminder message displays.

## Operation Settings menu



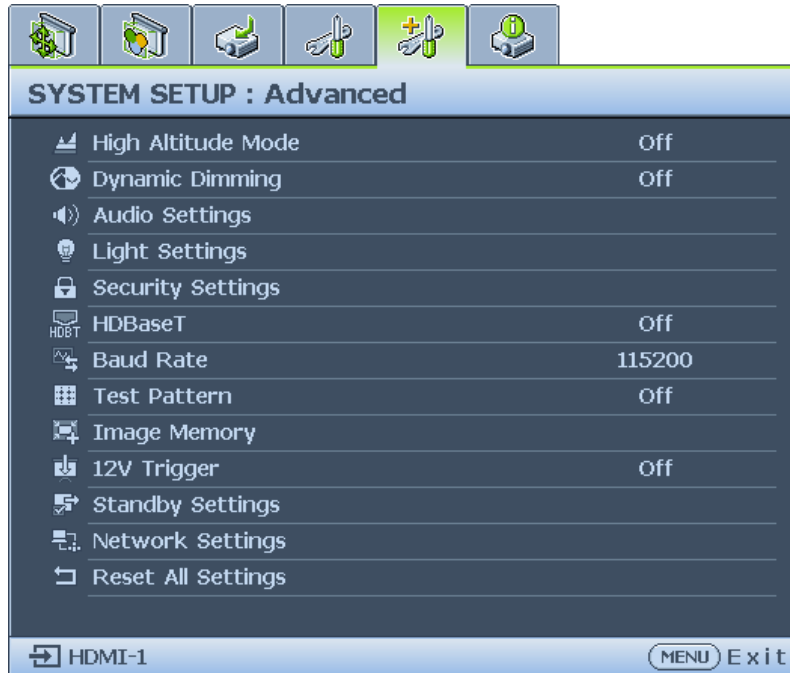
- Direct Power On**  
 Press ◀/▶ to enable or disable automatically turning on the projector when the AC power is connected.
- Signal Power On**  
 Press ◀/▶ to enable or disable automatically turning on the projector when an input signal is detected.
- Auto Power Off**  
 Press ◀/▶ to enable or disable automatically turning off the projector when there is no input signal.
- Blank Timer**  
 Press ◀/▶ to set the length of time the image is blanked. The options are Disable, 5 mins, 10 mins, 15 mins, 20 mins, 25 mins and 30 mins.
- Sleep Timer**  
 Press ◀/▶ to set the length of time before the projector is turned off. The options are Disable, 30 mins, 1 hr, 2 hrs, 3 hrs, 4 hrs, 8 hrs and 12 hrs.
- Filter Settings**  
 Press **ENTER** to enter the **Filter Settings** menu. See "[Filter Settings menu](#)" on page 51 for more details.

## Filter Settings menu



- **Filter Timer**  
Press ◀/▶ to enable or disable filter timer.
- **Reset Filter Timer**  
Press **ENTER** to reset the filter timer when the filter is replaced.
- **Filter Usage Time**  
Displays the current number of hours the filter has been used.

## System Setup :Advanced menu



- High Altitude Mode**  
 Press ◀/▶ to enable or disable High Altitude Mode. Enable this function when the operating altitude is higher than 1500m or the ambient temperature is over 40°C.
- Dynamic Dimming**  
 Press ◀/▶ to enable or disable dynamic dimming function. Enable the function to automatically reduces the screen's brightness level when the displayed image contains a high proportion of bright areas.  
 When **3D Sync Mode** is **DLP Link**, the **Dynamic Dimming** function is not available.
- Audio Settings**  
 Press **ENTER** to enter the **Audio Settings** menu. See "[Audio Settings menu](#)" on page 54 for more details.
- Light Settings**  
 Press **ENTER** to enter the **Light Settings** menu. See "[Light Settings menu](#)" on page 55 for more details.
- Security Settings**  
 Press **ENTER** to enter the **Security Settings** menu. See "[Security Settings menu](#)" on page 55 for more details.
- HDBaseT**  
 Press ◀/▶ to enable or disable the HDBaseT.

### Note:

- Turn on HDBaseT mode will disable internal LAN and RS232 control and switch to Normal power standby mode automatically.

HDBaseT control function table

Control Side	Function	Standby Mode			Remark
		Eco (< 0.5W)	Network (<2W)	Normal (>2W)	
Projector	Front-IR (Wireless)	○	○	○ (Can disable by OSD)	
	Rear-IR (Wireless)	○	○	○ (Can disable by OSD)	
	RS-232	○	○	○	
	RJ45/LAN	X	○	○	
	Wired Remote	○	○	○	
HDBaseT TX Box	HDBT-IR (Wireless)	X	X	○	
	RS-232	X	X	○	
	RJ45/LAN	X	X	○	
	Wired Remote	X	X	X	User can connect wired remote at HDBaseT TX side to get the wired function.

○: Enable      X: Disable

- **Baud Rate**  
Press ◀/▶ to select RS-232 baud rate. The rate is fixed at 9600 for HDBaseT mode. The baud-rate option is only available when a 9-pin RS-232 connector is in use.
- **Test Pattern**  
Press ◀/▶ to select the test pattern. The options are Off, Grid, White, Red, Green, Blue, Black, RGB Ramps, Color Bar, Step Bars, CheckBoard, Horizontal Lines, Vertical Lines, Diagonal Lines, Horizontal Ramp and Vertical Ramps.
- **Image Memory**  
To enable users to save and apply a set of image settings customized for regularly used circumstance by source and timing
- **I2V Trigger**  
Press ◀/▶ to enable or disable I2V trigger function.
- **Standby Settings**  
Press **ENTER** to enter the **Standby Settings** menu. See "[Standby Settings menu](#)" on [page 56](#) for more details.
- **Network Settings**  
Press **ENTER** to enter the **Network Settings** menu. See "[Network Settings menu](#)" on [page 56](#) for more details.
- **Reset All Settings**  
Press **ENTER** to reset all settings to default value.

## Audio Settings menu



- **Mute**

Press ◀/▶ to enable or disable the mute function.

- Using the remote control

Press **MUTE** to temporarily turn off the sound. While the sound is off, the screen will display in the upper right corner of the screen.

To restore the sound, press **MUTE** again.

- Using the OSD menu

1. Press **MENU** and then press ◀/▶ until the **System Setup: Advanced** menu is highlighted.
2. Press ▼ to highlight **Audio Settings** and press **ENTER**. The Audio Settings page displays.
3. Highlight **Mute** and press ◀/▶ to select **On**.
4. To restore the sound, repeat steps 1-3 and press ◀/▶ to select **Off**.

- **Volume**

Press ◀/▶ to adjust the volume of the projector.

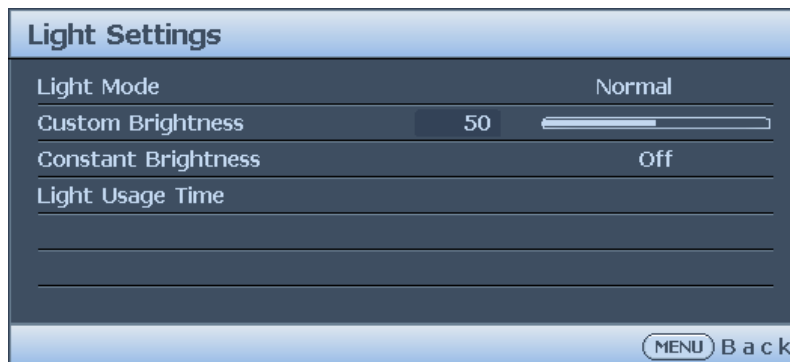
- Using the remote control

Press **VOLUME+/VOLUME-** to select a desired sound level.

- Using the OSD menu

1. Press **MENU** and then press ◀/▶ until the **System Setup: Advanced** menu is highlighted.
2. Press ▼ to highlight **Audio Settings** and press **ENTER**. The Audio Settings page displays.
3. Press ▼ to highlight **Volume** and press ◀/▶ to select a desired sound level.

## Light Settings menu



- **Light Mode**  
Press ◀/▶ to select the light mode. The options are Normal, Economic, Dimming and Custom.
- **Custom Brightness**  
Press ◀/▶ to adjust the brightness of the projector.
- **Constant Brightness**  
Press ◀/▶ to enable or disable the function to maintain the brightness at similar level.
- **Light Usage Time**  
Press **ENTER** to enter the **Light Source Information** menu.

## Security Settings menu



- **Change Password**  
Press **ENTER** to change the password.
- **Change Security Settings**  
Press **ENTER** to change the security settings.
- **Power On Lock**  
Press ◀/▶ to enable or disable the power on lock function. If the function is enabled, you must enter the password every time the projector is turned on.

## Standby Settings menu



- **Standby Mode**  
Press ◀/▶ to select the standby mode. The options are Eco, Network and Normal.
- **Auto Disable Network Standby Mode**  
Press ◀/▶ to enable or disable the auto switch from network standby mode to non-network standby mode after a period of time.
- **Audio Pass Through**  
Press ◀/▶ to enable the audio line-out function when the projector is in standby mode. The options are Audio In, HDMI 1, HDMI 2 and Off.

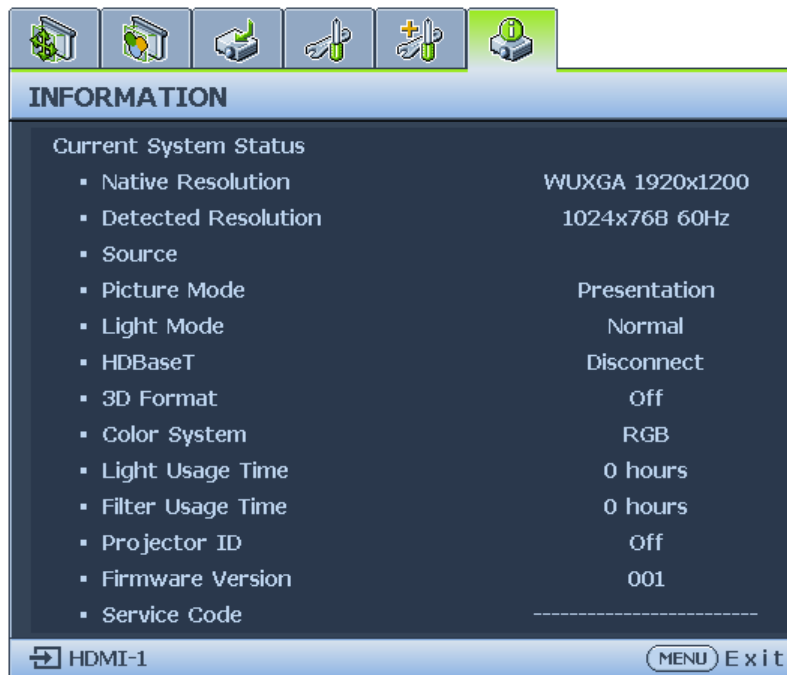
## Network Settings menu



- **Wired LAN**  
Press **ENTER** to enter the **Wired LAN** menu to setup the IP address, subnet mask, default gateway, DNS server and DHCP.
- **AMX Device Discovery**  
Press ◀/▶ to enable or disable the AMX device discovery function. When the function is enabled, the projector can be detected by an AMX controller.
- **Mac Address**  
Displays the current MAC address of the projector.



## Information menu



- **Native Resolution**  
Displays the native resolution of the model.
- **Detected Resolution**  
Displays the detected timing.
- **Source**  
Displays the current signal source.
- **Picture Mode**  
Displays the current picture mode.
- **Light Mode**  
Displays the current light mode.
- **HDBaseT**  
Displays the current HDBaseT status.
- **3D Format**  
Displays the current 3D mode. Only available when 3D Mode is enabled.
- **Color System**  
Displays the input system format.
- **Light Usage Time**  
Displays the number of hours the light has been used.
- **Filter Usage Time**  
Displays the number of hours the filter has been used.
- **Projector ID**  
Displays the current projector ID.
- **Firmware Version**  
Displays the firmware version of your projector.
- **Service Code**  
Displays the serial number of your projector.

## Menu structure

Main menu	Sub-menu	Options	
Display	Wall Color	Off / Light Yellow / Pink / Light Green / Blue / Blackboard	
	Aspect Ratio	Auto / Real / 4 : 3 / 16 : 9 / 16 : 10 / 2.4 : 1	
	2D Keystone	H: -30~0~30 / V: -30~0~30	
	Corner Fit	Top Left / Top Right / Bottom Left / Bottom Right	
	Position	H: -5~0~5 / V: -5~0~5	
	Phase	0~AUTO~31	
	H.size	-15~0~15	
	Digital Image Resizing	Digital Zoom	PC:1.0X~2.0X Video : 1.0~1.8X
		Digital Shrink	0.8X~1.0X
		Digital Image Shift	Digital Image Shift
		Blanking	Top/ Bottom / Left / Right / Reset
		Native Resolution	Display Resolution Digital Lens Shift
	Overscan		Composite / S-Video : 0- 3 others : 0-3
	3D	3D Sync Mode	DLP Link / VESA 3D
		3D Mode	Auto / Frame Sequential/ Frame Packing / Top-Bottom/ Side-By-Side / Off
		3D Sync Invert	Disable / Invert
		3D Sync Out Delay	0~359
		3D Sync Out Reference	3D VESA / Bypass
		Save 3D Settings	3D Settings 1 / 3D Settings 2 / 3D Settings 3
		Apply 3D Settings	3D Settings 1 / 3D Settings 2 / 3D Settings 3 / Off
Fast Mode		On / Off	

Main menu	Sub-menu	Options	
Picture	Picture Mode	Bright / Presentation / sRGB / Simulator / Video / (3D) / (HDR10) / (HLG) / User 1 / User 2	
	Reference Mode	Bright / Presentation / sRGB / Video / (3D) / (HDR10) / (HLG)	
	Brightness	0 ~50~100	
	Contrast	-50~0~50	
	Color	-50~0~50	
	Tint	-50~0~50	
	Sharpness	0~15~31	
	Brilliant Color	0~10	
	Gamma Selection	1.8 / 2.0 / 2.1 / 2.2 / 2.3 / 2.4 / 2.6 / BenQ	
	HDR Brightness	-2/ -1 / 0 / 1 / 2	
	Color Temperature	Cool / Normal / Warm	
	Color Temperature Fine Tuning	R Gain / G Gain / B Gain / R Offset / G Offset / B Offset	
	3D Color Management	Primary Color (R / G / B / C / M / Y) Primary Color (W)	
	Reset Picture Settings	HUE / Saturation / Gain Red Gain / Green Gain / Blue Gain Current / All / Cancel	
Source	Quick Auto Search	On / Off	
	HDR	Auto / SDR / HDR 10 / HLG	
	HDMI Format	Auto / RGB Limited / RGB Full / YUV Limited / YUV Full	
	HDMI EDID	Enhanced/ Standard	
	HDMI Equalizer	HDMI-1	Auto / Lower / Low / Middle / High / Higher
		HDMI-2	Auto / Lower / Low / Middle / High / Higher
	Auto Sync	On / Off	

Main menu	Sub-menu	Options
System Setup: Basic	Language	English / Français / Deutsch / Italiano / Español / Русский / 繁體中文 / 简体中文 / 日本語 / 한국어 / Svenska / Nederlands / Türkçe / Čeština / Português / বাংলা / Polski / Magyar / Hrvatski / Română / Norsk / Dansk / Български / Suomi / Indonesian / Ελληνικά / العربية / हिन्दी
	Projector Installation	Front Table / Rear Table / Rear Ceiling / Front Ceiling
	Menu Settings	Menu Display Time 5 sec / 10 sec / 20 sec / 30 sec / Always
		Menu Position Center / Top-Left / Top-Right / Bottom-Right / Bottom-Left
		Reminder Message On / Off
	Operation Settings	Direct Power On On / Off
		Signal Power On Computer: On / Off HDMI-I: On / Off
		Auto Power Off Disable / 3 mins / 10 mins / 15 mins / 20 mins / 25 mins / 30 mins
		Blank Timer Disable / 5 min / 10 min / 15 min / 20 min / 25 min / 30 min
		Sleep Timer Disable / 30 min / 1 hr / 2 hr / 3 hr / 4 hr / 8 hr / 12 hr
		Filter Settings Filter Timer: On / Off Reset Filter Timer: Reset / Cancel Filter Usage Time
	Remote Receiver	Off / Front+Top / Front / Top
	Panel Key Lock	On / Off
	Background Color	BenQ / Black / Blue / Purple / Gray
	Splash Screen	BenQ / Black / Blue
	Rear Light	On / Off
	Projector ID Setting	Off / 01 / 02 / ... / 99

Main menu	Sub-menu	Options
System Setup:	High Altitude Mode	On / Off
Advanced	Dynamic Dimming	On / Off
	Audio Settings	Mute Volume On / Off
	Light Settings	Light Mode Normal / Economic / Dimming / Custom Custom Brightness 25%-100% Constant Brightness On / Off Light Usage Time Light Usage Time / Normal Mode / ECO Mode / Dimming Mode / Custom Mode
	Security Settings	Change Password Change Security Settings Power On Lock On / Off
	HDBaseT	On / Off
	Baud Rate	2400 / 4800 / 9600 / 14400 / 19200 / 38400 / 57600 / 115200
	Test Pattern	Off / Grid / White / Red / Green / Blue / Black / RGB Ramps / Color Bar / Step Bars / CheckBoard / Horizontal Lines / Vertical Lines / Diagonal Lines / Horizontal Ramp / Vertical Ramps
	Image Memory	Save Image Memory Memory-1 / Memory-2 / Memory-3 / Memory-4 / Memory-5 Apply Image Memory Memory-1 / Memory-2 / Memory-3 / Memory-4 / Memory-5
	I2V Trigger	On / Off
	Standby Settings	Standby Mode Eco/ Network / Normal Auto Disable Network Standby Mode Never / 20 min / 1 hr / 3 hr / 6 hr Audio Pass Through Off / Audio In / HDMI 1/ HDMI 2 / DISPLAY PORT / HDBaseT
	Network Settings	Wired LAN Status DHCP IP Address Subnet Mask Default Gateway DNS Server Apply AMX Device Discovery On / Off Mac Address
	Reset All Settings	Reset / Cancel

<b>Main menu</b>	<b>Sub-menu</b>	<b>Options</b>
Information	Current System Status	Native Resolution WUXGA 1920x1200 1080p 1920x1080
	Detected Resolution	
	Source	
	Picture Mode	
	Light Mode	
	HDBaseT	Connect / Disconnect
	3D Format	
	Color System	
	Light Usage Time	
	Filter Usage Time	Appears when Filter Timer On
	Projector ID	
	Firmware Version	
	Service Code	SN

# Maintenance

## Before maintaining the projector

- Make sure to turn off the power before maintaining the projector.
- When switching off the projector, make sure to follow the procedures in "[Switch off the projector](#)" on page 36.

## Care of the projector

Your projector needs little maintenance. The only thing you need to do on a regular basis is to keep the lens clean.

Never remove any parts of the projector. Contact your dealer if other parts need replacing.

## Clean the lens front surface

Clean the lens whenever you notice dirt or dust on the surface.

- Use a canister of compressed air to remove dust.
- If there is dirt or smears, use lens-cleaning paper or moisten a soft cloth with lens cleaner and gently wipe the lens surface.



### Caution:

Never use any type of abrasive pad, alkaline/acid cleaner, scouring powder, or volatile solvent, such as alcohol, benzene, thinner or insecticide. Using such materials or maintaining prolonged contact with rubber or vinyl materials may result in damage to the projector surface and cabinet material.

## Clean the projector case

Before you clean the case, turn the projector off using the proper shutdown procedure as described in "[Switch off the projector](#)" on page 36 and unplug the power cord.

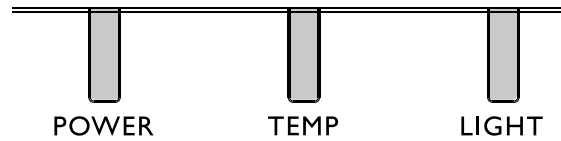
- To remove dirt or dust, wipe the case with a soft, lint-free cloth.
- To remove stubborn dirt or stains, moisten a soft cloth with water and a neutral pH detergent. Then wipe the case.



### Caution:

Never use wax, alcohol, benzene, thinner or other chemical detergents. These can damage the case.

## LED indicator



### LED Usage

LED Name	Detailed Description
Power LED	Display the power on/off sequence status Orange : Power Off (Green + Red) Green : Power On Blink : Warming up/Shutting Down & Cooling / Error Code
Temperature Status LED	Display the Thermal status (Fan Fail, Over Temperature, etc.) Red : Thermal Over Temperature Blink : Error Code
Lamp Status LED	Display the Lamp status (Lamp fail, Lamp spoil etc.) Red : Lamp Fail Blink : Error Code

### System message

Power	Temp	Light	Status & Description
Orange	-	-	Stand-by
Green Flashing	-	-	Powering up
Green	-	-	Normal operation
Orange Flashing	-	-	Normal power-down cooling
Red Flashing	Red Flashing	Red Flashing	Download
Green	-	Red	CW start fail
Green	-	Red Flashing	Phosphor Wheel start fail
Orange	-	Red	Case open
Orange	-	Red Flashing	Filter replace warning
Orange	Green Flashing	-	Thermal break sensor error



## Burn-In Messages

Power	Temp	Light	Status & Description
Green	-	-	Burn-in ON
Green	Green	Green	Burn-in OFF

## Lamp Error Messages

Power	Temp	Light	Status & Description
-	-	Red	Lamp1 error in normal operation
-	-	Red Flashing	Lamp is not lit up

## Thermal Error Messages

Power	Temp	Light	Status & Description
Red	Red	-	Fan 1 error (the actual fan speed is outside the desired speed)
Red	Red Flashing	-	Fan 2 error (the actual fan speed is outside the desired speed)
Red	Green	-	Fan 3 error(the actual fan speed is outside the desired speed)eed)
Red	Green Flashing	-	Fan 4 error (the actual fan speed is outside the desired speed)
Red Flashing	Red	-	Fan 5 error (the actual fan speed is outside the desired speed)
Red Flashing	Red Flashing	-	Fan 6 error (the actual fan speed is outside the desired speed)
Red Flashing	Green	-	Fan 7 error (the actual fan speed is outside the desired speed)
Green	Red	-	Temperature 1 error (over limited temperature)
Green	Red Flashing	-	Thermal Sensor 1 open error
Green	Green	-	Thermal Sensor 1 short error
Green	Green Flashing	-	Thermal IC #1 I2C Connection error
Green Flashing	Red	-	Temperature 2 error (over limited temperature)
Green Flashing	Red Flashing	-	Thermal Sensor 2 open error
Green Flashing	Green	-	Thermal Sensor 2 short error
Green Flashing	Green Flashing	-	Thermal IC #2 I2C Connection error
Green	Red	Red	Temperature 3 error (over limited temperature)

<b>Power</b>	<b>Temp</b>	<b>Light</b>	<b>Status &amp; Description</b>
Green	Red	Red Flashing	Thermal Sensor 3 open error
Green	Red	Green	Thermal Sensor 3 short error
Green	Red	Green Flashing	Thermal IC #3 I2C Connection error
Green	Red Flashing	Red	Temperature 4 error (over limited temperature)
Green	Red Flashing	Red Flashing	Thermal Sensor 4 open error
Green	Red Flashing	Green	Thermal Sensor 4short error
Green	Red Flashing	Green Flashing	Thermal IC #4 I2C Connection error

# Troubleshooting

## Troubleshooting

The projector does not turn on.

Cause	Remedy
There is no power from the power cable.	Plug the power cord into the AC inlet on the projector, and plug the power cord into the power outlet. If the power outlet has a switch, make sure that it is switched on.
Attempting to turn the projector on again during the cooling process.	Wait until the cooling down process has completed.

No picture.

Cause	Remedy
The video source is not turned on or connected correctly.	Turn the video source on and check that the signal cable is connected correctly.
The projector is not correctly connected to the input signal device.	Check the connection.
The input signal has not been correctly selected.	Select the correct input signal with the SOURCE key on the projector or remote control.

Blurred image.

Cause	Remedy
The projection lens is not correctly focused.	Adjust the focus of the lens using the focus ring.
The projector and the screen are not aligned properly.	Adjust the projection angle and direction as well as the height of the unit if necessary.

Remote control does not work.

Cause	Remedy
The battery is out of power.	Replace the battery with new one.
There is an obstacle between the remote control and the projector.	Remove the obstacle.
You are too far away from the projector.	Stand within 7 meters (23 feet) of the projector.

The password is incorrect.

Cause	Remedy
You do not remember the password.	<ol style="list-style-type: none"> <li>1. Press and hold <b>AUTO</b> on the projector or remote control for 3 seconds. The projector will display a coded number on the screen.</li> <li>2. Write down the number and turn off your projector.</li> <li>3. Seek help from the local BenQ service center to decode the number. You may be required to provide proof of purchase documentation to verify that you are an authorized user of the projector.</li> </ol>

# Specifications

## Specifications

### Optical

Resolution

LU960ST / LU960 / LU960ST2  
1920 x 1200

Display system

Single-chip DLP™ system

Light source

Laser diodes

### Electrical

Power supply

AC100-240V  
50/60 Hz (Automatic)  
7.0A

Power consumption

450W (Max); < 0.5W (Standby)

### Mechanical

Weight

12 Kg±500g

Dimension

479.6 x 402 x 182.8 mm

### Output terminals

Speaker

10 watt x 1 (RMS)

Audio signal output

PC audio jack x 1

Monitor Out

D-Sub 15-pin (female) x1

USB

TYPE-A (5V/1.5A)

HDMI OUT x 1

3D SYNC OUT x 1

### Control

USB

Mini USB x1 (for service)

RS-232 serial control

9 pin x 1 (In)

IR receiver x 1

12V TRIGGER

12VDC (Max. 0.2 A) x 1

LAN control

RJ45 x 1 (10/100Mbps)

Wired Remote

PC audio jack x 1

### Input terminals

Computer input

Digital input

15-pin VGA port x 1

Video signal input

COMPONENT

Share 15 pin VGA port

SD/HDTV signal input

Digital - HDMI x 1

HDMI 2 x 1

RJ45 x1 (HDBaseT)

Audio signal input

Audio in

PC audio jack x 1

### Environmental Requirements

Operating temperature

0°C–40°C at sea level (>35°C, power force to 80%)

Operating relative humidity

10%–90% (without condensation)

Operating altitude

0–1499 m at 0°C–35°C

1500–3000 m at 0°C–30°C (with High Altitude

Mode on and power force to 85%)

Storage temperature

-20°C–60°C

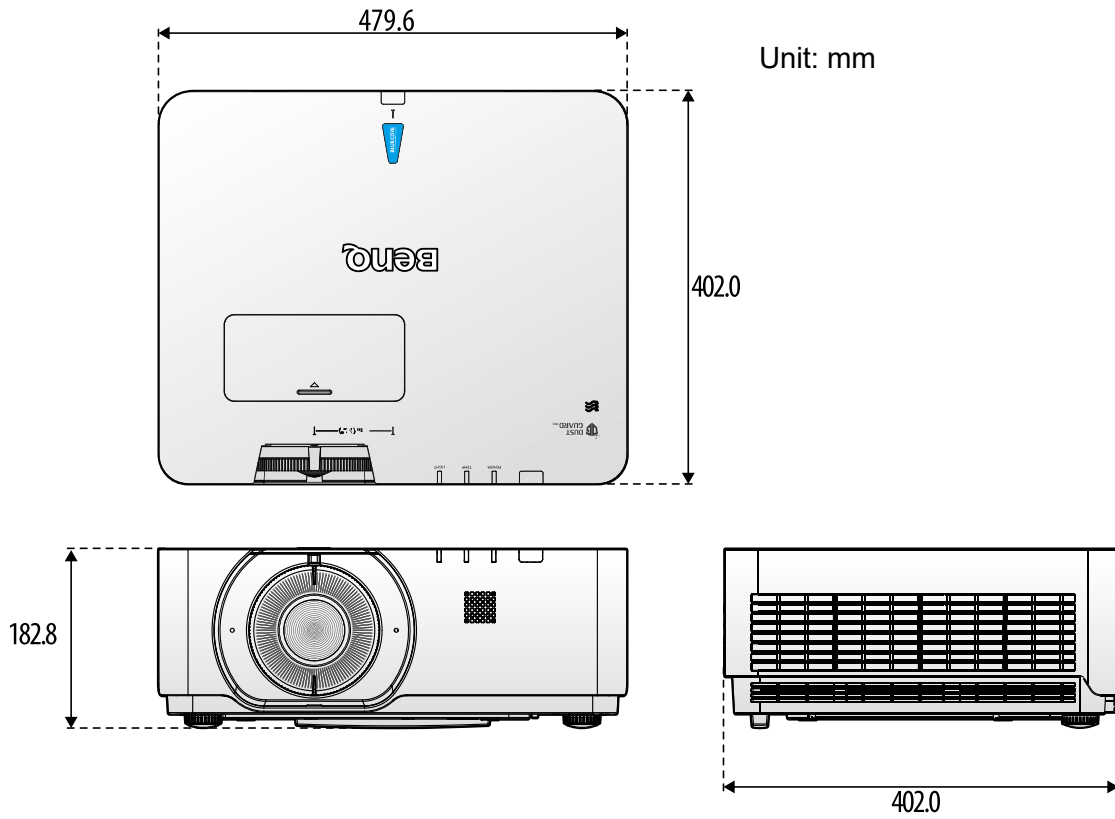
Storage humidity

10%–90% RH (without condensation)

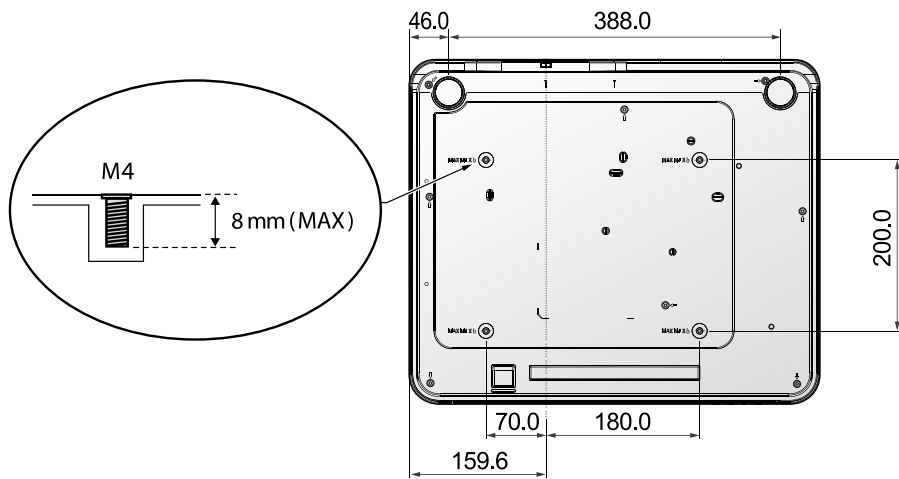
### Note:

All specifications are subject to change without notice.

# Dimensions



## Attaching for ceiling mount



# Appendix

## Timing table

Support video timing for HDMI input

Timing	Resolution	H-frequency (kHz)	V-frequency (Hz)	Dot Clock Frequency (MHz)	3D Frame Sequential	3D frame packing	3D over-under	3D side-by-side
480i	720(1440) x 480	15.73	59.94	27	⊙			
480p	720 x 480	31.47	59.94	27	⊙			
576i	720(1440) x 576	15.63	50	27				
576p	720 x 576	31.25	50	27				
720/50p	1280 x 720	37.5	50	74.25		⊙	⊙	⊙
720/60p	1280 x 720	45	60	74.25	⊙	⊙	⊙	⊙
1080/24P	1920 x 1080	27	24	74.25		⊙	⊙	⊙
1080/25P	1920 x 1080	28.13	25	74.25				
1080/30P	1920 x 1080	33.75	30	74.25				
1080/50i	1920 x 1080	28.13	50	74.25				⊙
1080/60i	1920 x 1080	33.75	60	74.25				⊙
1080/50P	1920 x 1080	56.25	50	148.5			⊙	⊙
1080/60P	1920 x 1080	67.5	60	148.5			⊙	⊙
2160/24P	3840 x 2160	54	24	297				
2160/25P	3840 x 2160	56.25	25	297				
2160/30P	3840 x 2160	67.5	30	297				
2160/50P	3840 x 2160	112.5	50	594				
2160/60P	3840 x 2160	135	60	594				

## Support PC timing for HDMI input

Resolution	Mode	Refresh rate (Hz)	H-frequency (kHz)	Clock (MHz)	3D Frame Sequential	3D over-under	3D side-by-side
640 x 480	VGA_60	59.94	31.469	25.175	⊙	⊙	⊙
	VGA_72	72.809	37.861	31.5			
	VGA_75	75	37.5	31.5			
	VGA_85	85.008	43.269	36			
	VGA_120**	119.518	61.91	52.5			
720 x 400	720x400_70	70.087	31.469	28.3221			
800 x 600	SVGA_60	60.317	37.879	40	⊙	⊙	⊙
	SVGA_72	72.188	48.077	50			
	SVGA_75	75	46.875	49.5			
	SVGA_85	85.061	53.674	56.25			
	SVGA_120 (Reduce Blanking)	119.854	77.425	83	⊙		
1024 x 768	XGA_60	60.004	48.363	65	⊙	⊙	⊙
	XGA_70	70.069	56.476	75			
	XGA_75	75.029	60.023	78.75			
	XGA_85	84.997	68.667	94.5			
	XGA_120 (Reduce Blanking)	119.989	97.551	115.5	⊙		
1152 x 864	1152 x 864_75	75	67.5	108			
1024x576	BenQ Notebook Timing	60	35.82	46.996			
1024x600	BenQ Notebook Timing	64.995	41.467	51.419			
1280x720	1280 x 720_60	60	45	74.25	⊙	⊙	⊙
1280 x 768	1280 x 768_60	59.87	47.776	79.5	⊙	⊙	⊙
1280 x 800	WXGA_60	59.81	49.702	83.5	⊙	⊙	⊙
	WXGA_75	74.934	62.795	106.5			
	WXGA_85	84.88	71.554	122.5			
	WXGA_120 (Reduce Blanking)	119.909	101.563	146.25	⊙		
1280 x 1024	SXGA_60	60.02	63.981	108		⊙	⊙
	SXGA_75	75.025	79.976	135			
	SXGA_85	85.024	91.146	157.5			
1280 x 960	1280 x 960_60	60	60	108		⊙	⊙
	1280 x 960_85	85.002	85.938	148.5			
1360 x 768	1360 x 768_60	60.015	47.712	85.5		⊙	⊙
1440 x 900	WXGA+_60	59.887	55.935	106.5		⊙	⊙
1400X1050	SXGA+_60	59.978	65.317	121.75		⊙	⊙

Resolution	Mode	Refresh rate (Hz)	H-frequency (kHz)	Clock (MHz)	3D Frame Sequential	3D over-under	3D side-by-side
1600x1200	UXGA	60	75	162		⊙	
1680x1050	1680x1050_60	59.954	65.29	146.25		⊙	⊙
640x480 @67Hz	MAC13	66.667	35	30.24			
832x624 @75Hz	MAC16	74.546	49.722	57.28			
1024x768 @75Hz	MAC19	75.02	60.241	80			
1152x870 @75Hz	MAC21	75.06	68.68	100			
1920x1080 @60HZ	1920X1080_60 (Reduce Blanking)	60	67.5	148.5	⊙	⊙	⊙
1920x1200 @60HZ	1920X1200_60 (Reduce Blanking)	59.95	74.038	154	⊙	⊙	⊙
"1920x1080 @120Hz"	1920X1080_120	120	135	297	⊙		
"1920x1200 @120Hz"	1920X1200_120 (Reduce Blanking)	119.909	152.404	317	⊙		
3840x2160	3840X2160_30 (Reduce Blanking)	29.97	65.66	257.404			
3840x2160	3840X2160_60 (Reduce Blanking)	59.94	133.187	522.092			
3840x2160	3840X2160_30	30	67.5	297			
3840x2160	3840X2160_60	60	135	594			



## Support PC timing for PC input

Resolution	Mode	Refresh rate (Hz)	H-frequency (kHz)	Clock (MHz)	3D Frame Sequential	3D over-under	3D side-by-side
720 x 400	720x400_70	70.087	31.469	28.3221			
640 x 480	VGA_60	59.94	31.469	25.175	⊙	⊙	⊙
	VGA_72	72.809	37.861	31.5			
	VGA_75	75	37.5	31.5			
	VGA_85	85.008	43.269	36			
800 x 600	SVGA_56	56.25	35.156	36			
	SVGA_60	60.317	37.879	40	⊙	⊙	⊙
	SVGA_72	72.188	48.077	50			
	SVGA_75	75	46.875	49.5			
	SVGA_85	85.061	53.674	56.25			
	SVGA_120 (Reduce Blanking)	119.854	77.425	83	⊙		
1024 x 768	XGA_60	60.004	48.363	65	⊙	⊙	⊙
	XGA_70	70.069	56.476	75			
	XGA_75	75.029	60.023	78.75			
	XGA_85	84.997	68.667	94.5			
	XGA_120 (Reduce Blanking)	119.989	97.551	115.5	⊙		
1152 x 864	1152 x 864_75	75	67.5	108			
1024 x 576	BenQ NB Timing	60	35.82	46.966			
1024 x 600	BenQ NB Timing	64.995	41.467	51.419			
1280x720	1280 x 720_60	60	45	74.25	⊙	⊙	⊙
1280 x 768	1280 x 768_60	59.87	47.776	79.5	⊙	⊙	⊙
1280 x 800	WXGA_60	59.81	49.702	83.5	⊙	⊙	⊙
	WXGA_75	74.934	62.795	106.5			
	WXGA_85	84.88	71.554	122.5			
	WXGA_120	119.909	101.563	146.25	⊙		
1280 x 1024	SXGA_60	60.02	63.981	108		⊙	⊙
	SXGA_75	75.025	79.976	135			
	SXGA_85	85.024	91.146	157.5			
1280 x 960	1280 x 960_60	60	60	108		⊙	⊙
	1280 x 960_85	85.002	85.938	148.5			
1360 x 768	1360 x 768_60	60.015	47.712	85.5		⊙	⊙
1440 x 900	WXGA+_60	59.887	55.935	106.5		⊙	⊙
1400X1050	SXGA+_60	59.978	65.317	121.75		⊙	⊙
1600x1200	UXGA	60	75	162		⊙	⊙
1680 x 1050	1680x1050_60	59.954	65.29	146.25		⊙	⊙

Resolution	Mode	Refresh rate (Hz)	H-frequency (kHz)	Clock (MHz)	3D Frame Sequential	3D over-under	3D side-by-side
640x480 @67Hz	MAC13	66.667	35	30.24			
832x624 @75Hz	MAC16	74.546	49.722	57.28			
1024x768 @75Hz	MAC19	74.93	60.241	80			
1152x870 @75Hz	MAC21	75.06	68.68	100			
1920x1080 @60HZ	1920X1080_60	60	67.5	148.5	⊙	⊙	⊙
1920x1200 @60HZ	1920X1200_60	59.95	74.038	154	⊙	⊙	⊙

**Note:**

- There timing showing depend the EDID file and VGA graphic card limitation. It is possible that user cannot choose the above timings on VGA display card.

## True 3D Video Compatibility table

Input Resolutions	HDMI I.4a 3D Input	Input timing		
		1280 X 720P @ 50Hz	Top - and - Bottom	
1280 X 720P @ 60Hz	Top - and - Bottom			
1280 X 720P @ 50Hz	Frame packing			
1280 X 720P @ 60Hz	Frame packing			
1920 X 1080i @50 Hz	Side- by-Side (Half)			
1920 X 1080i @60 Hz	Side- by-Side (Half)			
1920 X 1080P @24 Hz	Top - and – Bottom			
1920 X 1080P @24 Hz	Frame packing			
HDMI I.3	1920 x 1080i @ 50Hz	Side-by-Side(Half)	SBS mode is on	
	1920 x1080i @ 60Hz			
	1280 x 720P @50Hz			
	1280 x 720P @60Hz			
	1920 x 1080i @ 50Hz	Top-and-Bottom	TAB mode is on	
	1920 x1080i @ 60Hz			
	1280 x 720P @50Hz			
	1280 x 720P @60Hz			
	480i	HQFS	3D format is Frame sequential	

\*When testing 3D, please confirm that the glasses must support up to 144Hz

## Support HDMI-1 / HDMI-2 timing for HDBaseT input

Timing Name	VHz	RGB						YCbCr420			YCbCr422			YCbCr444		
		Limit range			Full range			Limit range								
		8 Bit	10 Bit	12 Bit	8 Bit	10 Bit	12 Bit	8 Bit	10 Bit	12 Bit	8 Bit	10 Bit	12 Bit	8 Bit	10 Bit	12 Bit
3840p	23.98	⊙			⊙						⊙	⊙	⊙	⊙		
3840p	24	⊙			⊙						⊙	⊙	⊙	⊙		
3840p	25	⊙			⊙						⊙	⊙	⊙	⊙		
3840p	29.97	⊙			⊙						⊙	⊙	⊙	⊙		
3840p	30	⊙			⊙						⊙	⊙	⊙	⊙		
3840p	50							⊙								
3840p	59.9							⊙								
3840p	60							⊙								

## RS232 command control

Function	Type	Operation	ASCII
Power	Write	Power On	<CR>*pow=on#<CR>
	Write	Power off	<CR>*pow=off#<CR>
	Read	Power Status	<CR>*pow=?#<CR>
Source Selection	Write	COMPUTER/YPbPr	<CR>*sour=RGB#<CR>
	Write	HDMI(MHL)	<CR>*sour=hdmi#<CR>
	Write	HDMI 2(MHL2)	<CR>*sour=hdmi2#<CR>
	Write	HDBaseT	<CR>*sour=hdbaset#<CR>
	Write	DisplayPort	<CR>*sour=dp#<CR>
	Read	Current source	<CR>*sour=?#<CR>
Audio Control	Write	Mute On	<CR>*mute=on#<CR>
	Write	Mute Off	<CR>*mute=off#<CR>
	Read	Mute Status	<CR>*mute=?#<CR>
	Write	Volume +	<CR>*vol=+#<CR>
	Write	Volume -	<CR>*vol=-#<CR>
	Write	Volume level for customer	<CR>*vol=value#<CR>
	Read	Volume Status	<CR>*vol=?#<CR>
Audio Source Select	Write	Audio pass Through off	<CR>*audiosour=off#<CR>
	Write	Audio-ComputerI	<CR>*audiosour=RGB#<CR>
	Write	Audio-HDMI	<CR>*audiosour=hdmi#<CR>
	Write	Audio-HDMI2	<CR>*audiosour=hdmi2#<CR>
	Write	DisplayPort	<CR>*audiosour=dp#<CR>
	Write	HDBaseT	<CR>*audiosour=hdbaset#<CR>
	Read	Audio pass Status	<CR>*audiosour=?#<CR>
Picture Mode	Write	Presentation	<CR>*appmod=preset#<CR>
	Write	sRGB	<CR>*appmod=srgb#<CR>
	Write	Bright	<CR>*appmod=bright#<CR>
	Write	Simulator	<CR>*appmod=simulator#<CR>
	Write	User1	<CR>*appmod=user1#<CR>
	Write	User2	<CR>*appmod=user2#<CR>
	Write	3D	<CR>*appmod=threed#<CR>
	Write	HDR10	<CR>*appmod=hdr<CR>
	Write	HLG	<CR>*appmod=hlg<CR>
	Write	Video	<CR>*appmod=video<CR>
	Read	Picture Mode	<CR>*appmod=?#<CR>

Function	Type	Operation	ASCII
Picture Setting	Write	Contrast +	<CR>*con=+#<CR>
	Write	Contrast -	<CR>*con=-#<CR>
	Write	Set Contrast value	<CR>*con=value#<CR>
	Read	Contrast value	<CR>*con=?#<CR>
	Write	Brightness +	<CR>*bri=+#<CR>
	Write	Brightness -	<CR>*bri=-#<CR>
	Write	Set Brightness value	<CR>*bri=value#<CR>
	Read	Brightness value	<CR>*bri=?#<CR>
	Write	Color +	<CR>*color=+#<CR>
	Write	Color -	<CR>*color=-#<CR>
	Write	Set Color value	<CR>*color=value#<CR>
	Read	Color value	<CR>*color=?#<CR>
	Write	Sharpness +	<CR>*sharp=+#<CR>
	Write	Sharpness -	<CR>*sharp=-#<CR>
	Write	Set Sharpness value	<CR>*sharp=value#<CR>
	Read	Sharpness value	<CR>*sharp=?#<CR>
	Write	Color Temperature-Warm	<CR>*ct=warm#<CR>
	Write	Color Temperature-Normal	<CR>*ct=normal#<CR>
	Write	Color Temperature-Cool	<CR>*ct=cool#<CR>
	Read	Color Temperature Status	<CR>*ct=?#<CR>
	Write	Aspect 4:3	<CR>*asp=4:3#<CR>
	Write	Aspect 16:9	<CR>*asp=16:9#<CR>
	Write	Aspect 16:10	<CR>*asp=16:10#<CR>
	Write	Aspect Auto	<CR>*asp=AUTO#<CR>
	Write	Aspect Real	<CR>*asp=REAL#<CR>
	Write	Aspect 2.4:1	<CR>*asp=2.4#<CR>
	Read	Aspect Status	<CR>*asp=?#<CR>
	Write	Vertical Keystone +	<CR>*vkeystone=+#<CR>
	Write	Vertical Keystone -	<CR>*vkeystone=-#<CR>
	Write	Set Vertical Keystone value	<CR>*vkeystone=value#<CR>
	Read	Vertical Keystone value	<CR>*vkeystone=?#<CR>
	Write	Horizontal Keystone +	<CR>*hkeystone=+#<CR>
	Write	Horizontal Keystone -	<CR>*hkeystone=-#<CR>
Write	Set Horizontal Keystone value	<CR>*hkeystone=value#<CR>	
Read	Horizontal Keystone value	<CR>*hkeystone=?#<CR>	
Write	Overscan Adjustment +	<CR>*overscan=+#<CR>	
Write	Overscan Adjustment -	<CR>*overscan=-#<CR>	

Function	Type	Operation	ASCII
Picture Setting	Read	Overscan Adjustment value	<CR>*overscan=?#<CR>
	Write	4 Corners Top-Left-X Decrease	<CR>*cornerfittlx=-#<CR>
	Write	4 Corners Top-Left-X Increase	<CR>*cornerfittlx=+#<CR>
	Read	4 Corners Top-Left-X Status	<CR>*cornerfittlx=?#<CR>
	Write	4 Corners Top-Left-Y Decrease	<CR>*cornerfittly=-#<CR>
	Write	4 Corners Top-Left-Y Increase	<CR>*cornerfittly=+#<CR>
	Read	4 Corners Top-Left-Y Status	<CR>*cornerfittly=?#<CR>
	Write	4 Corners Top-Right-X Decrease	<CR>*cornerfittrx=-#<CR>
	Write	4 Corners Top-Right-X Increase	<CR>*cornerfittrx=+#<CR>
	Read	4 Corners Top-Right-X Status	<CR>*cornerfittrx=?#<CR>
	Write	4 Corners Top-Right-Y Decrease	<CR>*cornerfittry=-#<CR>
	Write	4 Corners Top-Right-Y Increase	<CR>*cornerfittry=+#<CR>
	Read	4 Corners Top-Right-Y Status	<CR>*cornerfittry=?#<CR>
	Write	4 Corners Bottom-Left-X Decrease	<CR>*cornerfitblx=-#<CR>
	Write	4 Corners Bottom-Left-X Increase	<CR>*cornerfitblx=+#<CR>
	Read	4 Corners Bottom-Left-X Status	<CR>*cornerfitblx=?#<CR>
	Write	4 Corners Bottom-Left-Y Decrease	<CR>*cornerfitbly=-#<CR>
	Write	4 Corners Bottom-Left-Y Increase	<CR>*cornerfitbly=+#<CR>
	Read	4 Corners Bottom-Left-Y Status	<CR>*cornerfitbly=?#<CR>
	Write	4 Corners Bottom-Right-X Decrease	<CR>*cornerfitbrx=-#<CR>
	Write	4 Corners Bottom-Right-X Increase	<CR>*cornerfitbrx=+#<CR>
	Read	4 Corners Bottom-Right-X Status	<CR>*cornerfitbrx=?#<CR>
	Write	4 Corners Bottom-Right-Y Decrease	<CR>*cornerfitbry=-#<CR>
	Write	4 Corners Bottom-Right-Y Increase	<CR>*cornerfitbry=+#<CR>
	Read	4 Corners Bottom-Right-Y Status	<CR>*cornerfitbry=?#<CR>
	Write	Digital Zoom In	<CR>*zooml#<CR>
	Write	Digital Zoom out	<CR>*zoomO#<CR>
	Write	Auto	<CR>*auto#<CR>
	Write	Brilliant color +	<CR>*BC=+#<CR>
	Write	Brilliant color -	<CR>*BC=-#<CR>
	Write	Brilliant color set value	<CR>*BC=value#<CR>
	Read	Brilliant color status	<CR>*BC=?#<CR>
	Write	Auto(HDR)	<CR>*hdr=auto#<CR>
Write	SDR	<CR>*hdr=sdr#<CR>	
Write	HDR10	<CR>*hdr=hdr#<CR>	
Write	HLG	<CR>*hdr=hlg#<CR>	
Read	HDR status	<CR>*hdr=?#<CR>	

Function	Type	Operation	ASCII
Picture Setting	Write	Reset current picture settings	<CR>*rstcurpicsetting#<CR>
	Write	Reset all picture settings	<CR>*rstallpicsetting#<CR>
Operation Settings	Write	Projector Position-Front Table	<CR>*pp=FT#<CR>
	Write	Projector Position-Rear Table	<CR>*pp=RE#<CR>
	Write	Projector Position-Rear Ceiling	<CR>*pp=RC#<CR>
	Write	Projector Position-Front Ceiling	<CR>*pp=FC#<CR>
	Read	Projector Position Status	<CR>*pp=?#<CR>
	Write	Quick auto search	<CR>*QAS=on#<CR>
	Write	Quick auto search	<CR>*QAS=off#<CR>
	Read	Quick auto search status	<CR>*QAS=?#<CR>
	Write	Menu Position - Center	<CR>*menuposition=center#<CR>
	Write	Menu Position - Top-Left	<CR>*menuposition=tl#<CR>
	Write	Menu Position - Top-Right	<CR>*menuposition=tr#<CR>
	Write	Menu Position - Bottom-Right	<CR>*menuposition=br#<CR>
	Write	Menu Position - Bottom-Left	<CR>*menuposition=bl#<CR>
	Read	Menu Position Status	<CR>*menuposition=?#<CR>
	Write	Direct Power On-on	<CR>*directpower=on#<CR>
	Write	Direct Power On-off	<CR>*directpower=off#<CR>
	Read	Direct Power On-Status	<CR>*directpower=?#<CR>
	Write	Signal Power On-on	<CR>*autopower=on#<CR>
	Write	Signal Power On-off	<CR>*autopower=off#<CR>
	Read	Signal Power On-Status	<CR>*autopower=?#<CR>
Baud Rate	Write	2400	<CR>*baud=2400#<CR>
	Write	4800	<CR>*baud=4800#<CR>
	Write	9600	<CR>*baud=9600#<CR>
	Write	14400	<CR>*baud=14400#<CR>
	Write	19200	<CR>*baud=19200#<CR>
	Write	38400	<CR>*baud=38400#<CR>
	Write	57600	<CR>*baud=57600#<CR>
	Write	115200	<CR>*baud=115200#<CR>
	Read	Current Baud Rate	<CR>*baud=?#<CR>
Lamp Control	Read	Lamp Hour	<CR>*ltim=?#<CR>
	Write	Normal mode	<CR>*lampm=lnor#<CR>
	Write	Eco mode	<CR>*lampm=eco#<CR>
	Write	Dimming mode	<CR>*lampm=dimming#<CR>
	Write	Custom mode	<CR>*lampm=custom#<CR>
	Write	Light level for custom mode	<CR>*lampcustom=value#<CR>

Function	Type	Operation	ASCII
Lamp Control	Read	Light level status for custom mode	<CR>*lampcustom=?#<CR>
	Read	Lamp Mode Status	<CR>*lampm=?#<CR>
Miscellaneous	Read	Model Name	<CR>*modelName=?#<CR>
	Read	System F/W Version	<CR>*sysfwversion=?#<CR>
	Read	Scaler F/W Version	<CR>*scalerfwversion=?#<CR>
	Read	Lan F/W Version	<CR>*lanfwversion=?#<CR>
	Read	MCU F/W Version	<CR>*mcfwversion=?#<CR>
	Write	Blank On	<CR>*blank=on#<CR>
	Write	Blank Off	<CR>*blank=off#<CR>
	Read	Blank Status	<CR>*blank=?#<CR>
	Write	Freeze On	<CR>*freeze=on#<CR>
	Write	Freeze Off	<CR>*freeze=off#<CR>
	Read	Freeze Status	<CR>*freeze=?#<CR>
	Write	Menu On	<CR>*menu=on#<CR>
	Write	Menu Off	<CR>*menu=off#<CR>
	Read	Menu Status	<CR>*menu=?#<CR>
	Write	Up	<CR>*up#<CR>
	Write	Down	<CR>*down#<CR>
	Write	Right	<CR>*right#<CR>
	Write	Left	<CR>*left#<CR>
	Write	Enter	<CR>*enter#<CR>
	Write	Back	<CR>*back#<CR>
	Write	Source Menu On	<CR>*sourmenu=on#<CR>
	Write	Source Menu Off	<CR>*sourmenu=off#<CR>
	Read	Source Menu Status	<CR>*sourmenu=?#<CR>
	Write	3D Sync Off	<CR>*3d=off#<CR>
	Write	3D Auto	<CR>*3d=auto#<CR>
	Write	3D Sync Top Bottom	<CR>*3d=tb#<CR>
	Write	3D Sync Frame Sequential	<CR>*3d=fs#<CR>
	Write	3D Frame packing	<CR>*3d=fp#<CR>
	Write	3D Side by side	<CR>*3d=sbs#<CR>
	Write	3D inverter disable	<CR>*3d=da#<CR>
	Write	3D inverter	<CR>*3d=iv#<CR>
	Write	3D nVIDIA	<CR>*3d=nvidia#<CR>
	Read	3D Sync Status	<CR>*3d=?#<CR>
Write	Remote Receiver Off	<CR>*rr=off#<CR>	
Write	Remote Receiver-front	<CR>*rr=f#<CR>	



Function	Type	Operation	ASCII
Miscellaneous	Write	Remote Receiver-top	<CR>*rr=t#<CR>
	Write	Remote Receiver-top+front	<CR>*rr=tf#<CR>
	Read	Remote Receiver Status	<CR>*rr=?#<CR>
	Write	AMX Device Discovery-on	<CR>*amxdd=on#<CR>
	Write	AMX Device Discovery-off	<CR>*amxdd=off#<CR>
	Read	AMX Device Discovery Status	<CR>*amxdd=?#<CR>
	Read	Mac Address	<CR>*macaddr=?#<CR>
	Read	Serial Number	<CR>*serialnumber=?#<CR>
	Write	High Altitude mode on	<CR>*Highaltitude=on#<CR>
	Write	High Altitude mode off	<CR>*Highaltitude=off#<CR>
	Read	High Altitude mode status	<CR>*Highaltitude=?#<CR>
Color Calibration	Write	Tint +	<CR>*tint=+#<CR>
	Write	Tint -	<CR>*tint=-#<CR>
	Write	Set Tint value	<CR>*tint=value#<CR>
	Read	Get Tint value	<CR>*tint=?#<CR>
	Write	Set gamma value	<CR>*gamma=value#<CR>
	Read	Gamma value status	<CR>*gamma=?#<CR>
	Write	Set HDR Brightness value	<CR>*hdrbri=value#<CR>
	Read	Get HDR Brightness value	<CR>*hdrbri=?#<CR>
	Write	Red Gain +	<CR>*RGain=+#<CR>
	Write	Red Gain -	<CR>*RGain=-#<CR>
	Write	Set Red Gain value	<CR>*RGain=value#<CR>
	Read	Get Red Gain value	<CR>*RGain=?#<CR>
	Write	Green Gain +	<CR>*GGain=+#<CR>
	Write	Green Gain -	<CR>*GGain=-#<CR>
	Write	Set Green Gain value	<CR>*GGain=value#<CR>
	Read	Get Green Gain value	<CR>*GGain=?#<CR>
	Write	Blue Gain +	<CR>*BGain=+#<CR>
	Write	Blue Gain -	<CR>*BGain=-#<CR>
	Write	Set Blue Gain value	<CR>*BGain=value#<CR>
	Read	Get Blue Gain value	<CR>*BGain=?#<CR>
	Write	Red Offset +	<CR>*ROffset=+#<CR>
	Write	Red Offset -	<CR>*ROffset=-#<CR>
	Write	Set Red Offset value	<CR>*ROffset=value#<CR>
	Read	Get Red Offset value	<CR>*ROffset=?#<CR>
Write	Green Offset +	<CR>*GOffset=+#<CR>	
Write	Green Offset -	<CR>*GOffset=-#<CR>	

Function	Type	Operation	ASCII
Color Calibration	Write	Set Green Offset value	<CR>*GOffset=value#<CR>
	Read	Get Green Offset value	<CR>*GOffset=?#<CR>
	Write	Blue Offset +	<CR>*BOffset=+#<CR>
	Write	Blue Offset -	<CR>*BOffset=-#<CR>
	Write	Set Blue Offset value	<CR>*BOffset=value#<CR>
	Read	Get Blue Offset value	<CR>*BOffset=?#<CR>
	Write	Primary Color	<CR>*primcr=value#<CR>
	Read	Primary Color Status	<CR>*primcr=?#<CR>
	Write	Hue +	<CR>*hue=+#<CR>
	Write	Hue -	<CR>*hue=-#<CR>
	Write	Set Hue value	<CR>*hue=value#<CR>
	Read	Get Hue value	<CR>*hue=?#<CR>
	Write	Saturation +	<CR>*saturation=+#<CR>
	Write	Saturation -	<CR>*saturation=-#<CR>
	Write	Set Saturation value	<CR>*saturation=value#<CR>
	Read	Get Saturation value	<CR>*saturation=?#<CR>
	Write	Gain +	<CR>*gain=+#<CR>
	Write	Gain -	<CR>*gain=-#<CR>
	Write	Set Gain value	<CR>*gain=value#<CR>
	Read	Get Gain value	<CR>*gain=?#<CR>
Service	Read	Error Code report	<CR>*error=report#<CR>
	Read	FAN 1 speed	<CR>*fan1=?#<CR>
	Read	FAN 2 speed	<CR>*fan2=?#<CR>
	Read	FAN 3 speed	<CR>*fan3=?#<CR>
	Read	FAN 4 speed	<CR>*fan4=?#<CR>
	Read	FAN 5 speed	<CR>*fan5=?#<CR>
	Read	FAN 6 speed	<CR>*fan6=?#<CR>
	Read	FAN 7 speed	<CR>*fan7=?#<CR>
	Read	Temperature 1	<CR>*tmp1=?#<CR>
	Read	Temperature 2	<CR>*tmp2=?#<CR>
	Read	Temperature 3	<CR>*tmp3=?#<CR>
	Read	Temperature 4	<CR>*tmp4=?#<CR>
	Read	LED indicator	<CR>*led=?#<CR>

## PJLink

### PJLink protocol

The network function of this projector support the PJLink class I, and the PJLink protocol can be used to perform projector setting and projector status query operations from a computer.

### Control commands

The following table lists the PJLink protocol commands that can be used to control the projector.

- x characters in table are non-specific characters.

Command	Control Details	Parameter/ Return String	Remark		
POWR	Power supply control	0 1	Standby Power on		
POWR?	Power supply status query	0 1	Standby Power on		
INPT	Input selection	11	YPbPr		
INPT?	Input status query	31	HDMI1		
		32	HDMI2		
		33	DisplayPort		
		34	HDBaseT		
AVMT	Mute	11	Video mute On		
AVMT?	Mute query	10	Video mute Off		
		21	Audio mute On		
		20	Audio mute Off		
		31	Video & Audio mute On		
		30	Video & Audio mute Off		
ERST?	Error status query	xxxxxx	1st byte	Indicates fan errors, and returns 0 - 2	0 = No error is detected 1 = Warning 2 = Error
			2nd byte	Indicates light source errors, and returns 0 - 2	
			3rd byte	Indicates temperature errors, and returns 0 - 2	
			4th byte	Return 0	
			5th byte	Return 0	
			6th byte	Indicates other errors, and returns 0 - 2	
LAMP?	Light source status query	xxxxxxxxxxxx	1st number (1-5 digitals): Light source 1 runtime		
INST?	Input selection list query	11 31 32 33 34	LU960ST/LU960/LU960ST2		

Command	Control Details	Parameter/ Return String	Remark
NAME?	Projector name query	xxxxxx	Returns the name set in [PROJECTOR NAME] of [NETWORK SETUP]
INF1?	Manufacturer name query	BenQ	Returns manufacturer name
INF2?	Model name query	LU960ST/ LU960/ LU960ST2	Returns model name
INF0?	Other information queries	xxxxxx	Returns information such as version number
CLASS?	Class information query	I	Returns class for PJLink